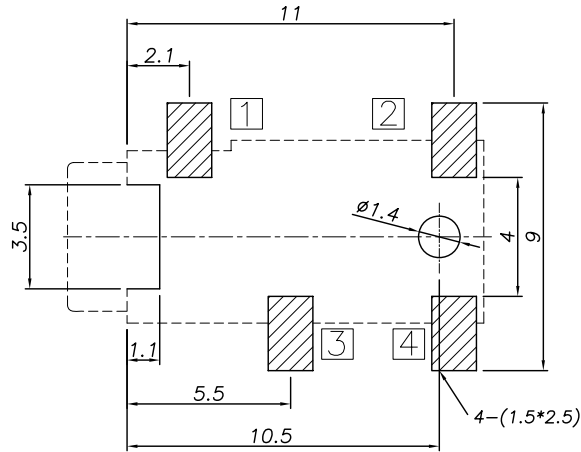


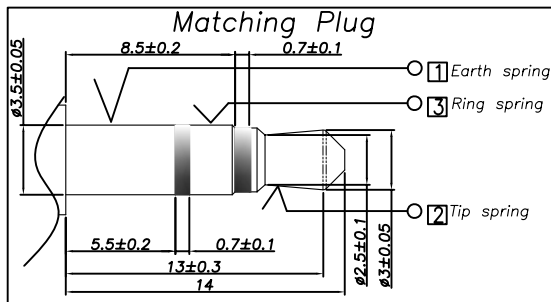
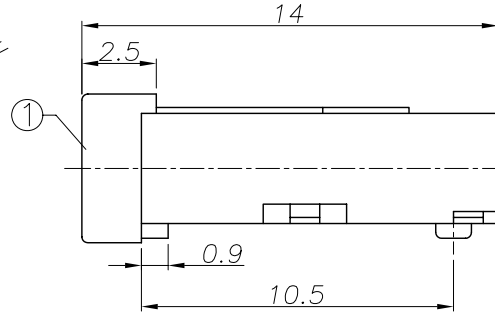
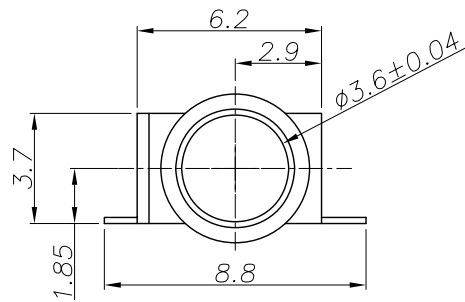
P. C. B Layout  
(Copper-sided view)



Ordering information:

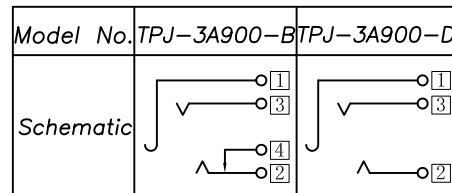
TPJ-3A900-□ 9T 0A □ 00 1  
(1) (2) (3) (4) (5) (6) (7)

- (1): Series No
- (2): Schematic option: B D
- (3): Material of housing:  
9T=PA9T
- (4): Housing color:  
0A=Black
- (5): Terminal plating  
S=Silver (Ag) (Standard)  
G=Gold (Au)
- (6): Special option  
00=No special option
- (7): Packing mode:  
1=Reel packing



- SPECIFICATION
1. Rating : DC 30V 0.5A;
  2. Contact resistance:  $\leq 30m\Omega$ ;
  3. Insulation resistance:  $\geq 100M\Omega$  (DC250V);
  4. Withstand voltage: 500VAC ;
  5. Insertion and extraction force: 3-30N;
  6. life test: 5,000 cycles.

ITEM NO.	DESCRIPTION	QTY	MATERIAL	PLATING
④	Shunt terminal ④	1	Brass	TPJ-3A900-04
③	Tip Spring ②	1	Beryllium bronze	TPJ-3A900-02
②	Ring Spring ①③	2	Phosphor bronze	TPJ-3A900-01
①	Housing	1	PA9T	TPJ-3A900-S1 Black



□: TERMINAL NO.

**TACLEX** TACLEX ELECTRONICS CO., LTD.

TOLERANCES UNLESS OTHERWISE SPECIFIED LINEAR: $\pm 0.30$ ANGULAR: $\pm 3^\circ$		SIGNATURES	DATE	TITLE
DRAWN	Eric		2008.03.22	EARPHONE JACK
CHK'D	Alex		2008.03.22	
APPV'D	Rex		2008.03.22	
REVISIONS	A	SCALE	5/1	NO. TPJ-3A900

SYM	DISCRIPTION	DATE	APPROVED
△			
△			
△			
△			

1 2 3 4 5 6 7 8 9 10

A

B

C

D

E

F

G

H

A

B

C

D

E

F

G

H

1 2 3 4 5 6 7 8 9 10