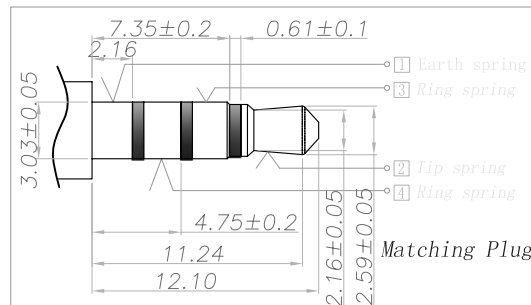
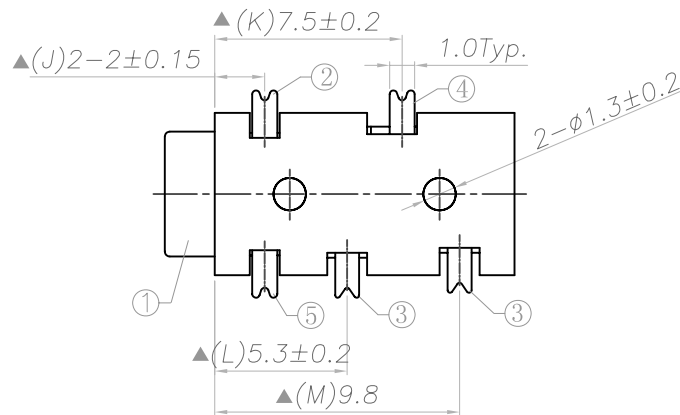


P. C. B Layout
(Copper-sided view)



Ordering information:
 TPJ-3A36F-□ 9T 0A S 00 1
 (1) (2) (3) (4) (5) (6) (7)

(1):Series No
 (2):Schematic option: S P D
 (3):Material of housing: 9T=PA9T
 (4):Housing color: 0A=Black
 (5):Terminal plating: S=Silver(Ag)
 (6):Special option:
 00=No special option
 (7):Packing mode:
 1=Reel packing

SPECIFICATION

- Rating : DC 30V 0.5A;
- Contact resistance: $\leq 50m\Omega$;
- Insulation resistance: $\geq 100M\Omega$ (DC250V);
- Withstand voltage: 500VAC ;
- Insertion and extraction force: 3-30N;
- life test: 5,000 cycles;
- Sing"▲"is importance dimention.

| Model No. | TPJ-3A36F-S | TPJ-3A36F-P | TPJ-3A36F-D |
|-----------|-------------|-------------|-------------|
| Schematic | | | |

| ⑤ | Ring spring | ⑤ | 1 | Phosphor bronze T=0.2 | TPJ-3A36E-01 (TP-996) | Silver plating |
|-----|--------------|-----|----------|------------------------|--------------------------|----------------|
| ④ | Ring spring | ④ | 1 | Stainless steel T=0.25 | TPJ-3A36F-04 (TP-1063) | Silver plating |
| ③ | Tip spring | ③&② | 2 | Phosphor bronze T=0.2 | TPJ-3A36C-01 (JA-648) | Silver plating |
| ② | Earth spring | ① | 1 | Phosphor bronze T=0.2 | TPJ-3A36F-01 (TP-1062) | Silver plating |
| ① | Housing | | 1 | PA9T | TPJ-3A36F-S1 (共用ST-1061) | |
| NO. | DESCRIPTION | QTY | MATERIAL | PART NO. | PLATING | |



TACLEX

TACLEX ELECTRONICS CO., LTD.

TOLERANCES UNLESS OTHERWISE SPECIFIED
 LINEAR: ± 0.1 ANGULAR: $\pm 3^\circ$

REVISIONS
 A

SIGNATURES
 DATE
 TITLE

DRAWN **Eric** 2009.05.13
 CHK'D **Alex** 2009.05.13
 APPV'D **Rex** 2009.05.13

SCALE
 5/1

NO.
 EARPHONE JACK
 TPJ-3A36F

| △ | | | |
|-----|-------------|------|----------|
| △ | | | |
| △ | | | |
| △ | | | |
| △ | | | |
| SYM | DISCRIPTION | DATE | APPROVED |