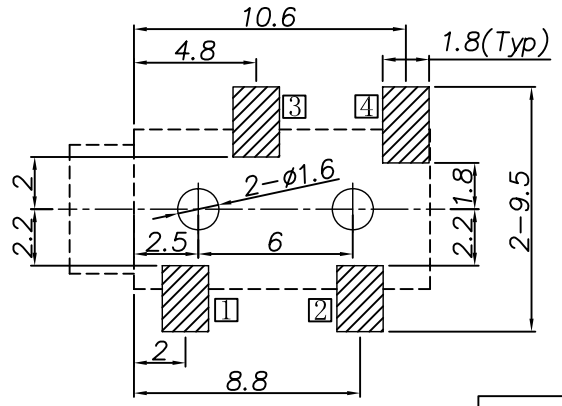
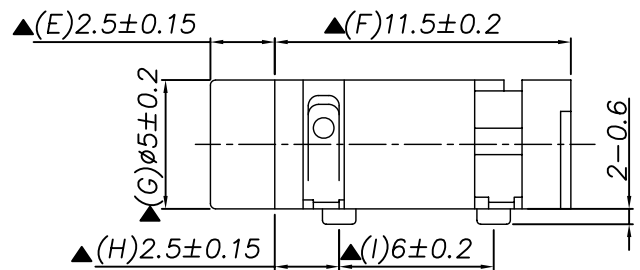
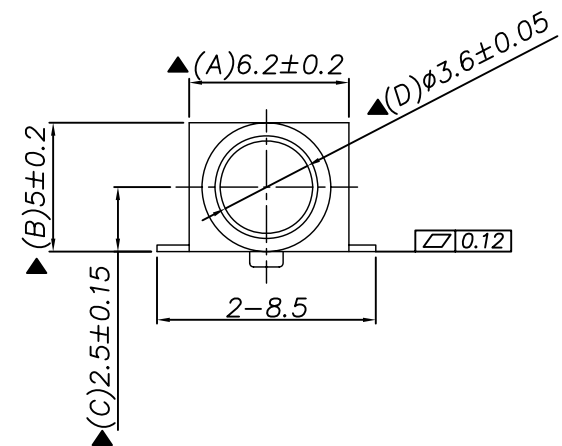


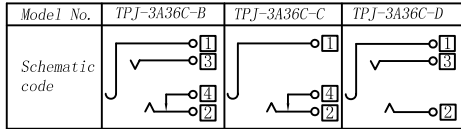
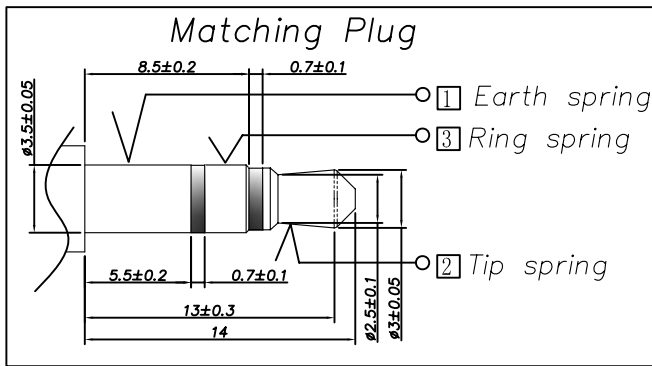
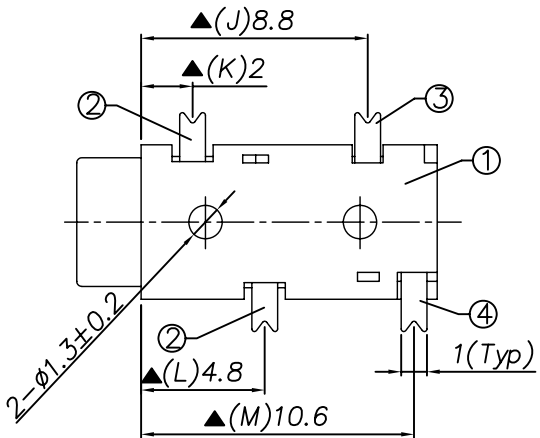
Ordering information:
 TPJ-3A36C-□ 9T 0A □ 00 1
 (1) (2) (3) (4) (5) (6) (7)

- (1):Series No
- (2):Schematic option: B C D
- (3):Material of housing:9T=PA9T
- (4):Housing color:0A=Black
- (5):Terminal plating:
 S=Silver (Ag) G=Gold (Au) △
- (6):Special option:
 00:No special option
- (7):Packing mode:
 1:Reel packing

- Specification:
- 1. Rating : DC 30V 0.5A;
 - 2. Contact resistance: $\leq 30m\Omega$;
 After test: $\leq 50m\Omega$
 - 3. Insulation resistance: $\geq 100M\Omega$ (500VDC) ;
 After test: $\geq 50M\Omega$
 - 4. Withstand voltage: 500VAC ;
 - 5. Insertion and extraction force: 3N~30N;
 - 6. life test: 5000cycles min;
 - 7. Operation temperature range:-20°C~70°C
 - 8. Preservative temperature range:-40°C~85°C
- Sign"▲" is importance dimension.



P. C. B Layout
(Copper-sided view)



Circuit Diagram □: Terminal No.

④	Shunt terminal	④	1	Brass 0.3t	TPJ-3A36C-04(WP-646)	Silver/Gold plating
③	Tip spring	②	1	Beryllium bronze 0.25t	TPJ-3A36C-02(TP-647)	Silver/Gold plating
②	Earth spring	③	2	Phosphor bronze 0.2t	TPJ-3A36C-01(JA-648)	Silver/Gold plating
①	Housing		1	PA9T,UL94 V-0	TPJ-3A36C-S1(ST-645)	Black
NO.	DESCRIPTION	QTY	MATERIAL	PART NO.	REMARK	

TACLEX TACLEX ELECTRONICS CO., LTD.

TOLERANCES UNLESS OTHERWISE SPECIFIED LINEAR: ± 0.1 ANGULAR: $\pm 3^\circ$		SIGNATURES		DATE	TITLE
REVISIONS		DRAWN	Eric	2007.11.18	EARPHONE JACK
A	SCALE 5/1	CHK'D	Alex	2007.11.18	
		APPV'D	Rex	2007.11.18	
					NO. TPJ-3A36C

△			
△			
△			
△			
△			
SYM	DISCRIPTION	DATE	APPROVED
1			
2			
3			