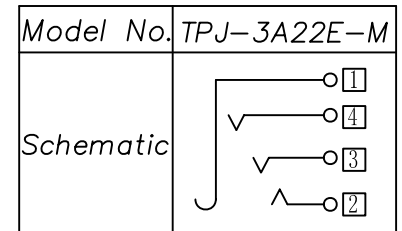
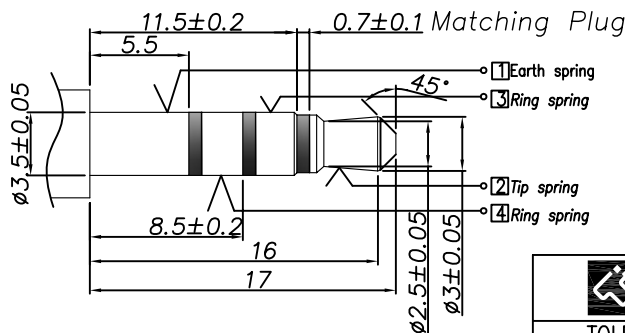


Ordering information:
 TPJ-3A22E-M 9T 0A S 00 1
 (1) (2) (3) (4) (5) (6) (7)
 (1): Series No
 (2): Schematic option: M
 (3): Material of housing: 9T=PA9T
 (4): Housing color: 0A=Black
 (5): Terminal plating:
 S=Silver (Ag)
 (6): Special option:
 00=No special option
 (7): Packing mode:
 1=Reel packing

Specification:

1. Rating : DC 30V 0.5A;
 2. Contact resistance: $\leq 50m\Omega$;
After test: $\leq 100m\Omega$
 3. Insulation resistance: $\geq 100M\Omega$ (500VDC);
After test: $\geq 50M\Omega$
 4. Withstand voltage: 500VAC ;
 5. Insertion and extraction force: 3N~30N;
 6. life test: 5000cycles min;
 7. Operation temperature range: -20°C~70°C
 8. Preservative temperature range: -40°C~85°C
- Sign"▲" is importance dimension.



④	Ring spring	③	1	Stainless steel t=0.25	TPJ-3A22E-03	Silver plating
③	Tip spring	②	1	Stainless steel t=0.25	TPJ-3A22D-02	Silver plating
②	Earth spring	①&④	2	Stainless steel t=0.20	TPJ-3A22D-01	Silver plating
①	Housing		1	PA9T, UL94 V-0	TPJ-3A22B-S1	
NO.	DESCRIPTION	QTY	MATERIAL	PART NO.	PLATING	

TACLEX TACLEX ELECTRONICS CO., LTD.

TOLERANCES UNLESS OTHERWISE SPECIFIED LINEAR: ± 0.30 ANGULAR: $\pm 3^\circ$	SIGNATURES		DATE	TITLE
	DRAWN	Amy	2010.08.11	EARPHONE JACK
	CHK'D	Alex	2010.08.11	
REVISIONS	SCALE	APPV'D	Rex	2010.08.11
A	5/1			NO. TPJ-3A22E

△			
△			
△			
△			
△			
SYM	DISCIPTION	DATE	APPROVED
1			
2			
3			