

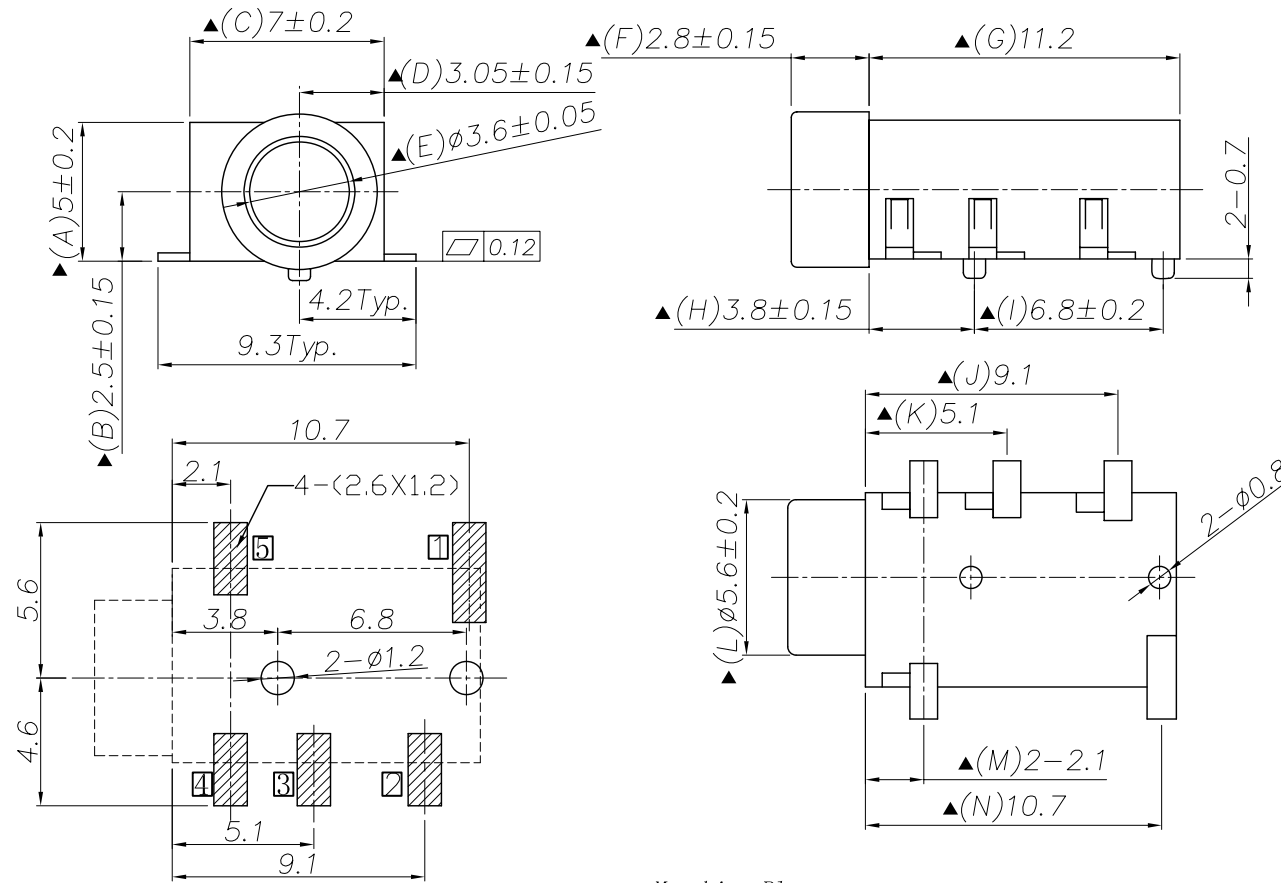
Ordering information:  
 TPJ-3C1EA-□ 9T 0A S 00 1  
 (1) (2) (3) (4) (5) (6) (7)

(1):Series NO.  
 (2):Schematic option: D ,M  
 (3):Material of housing:  
 9T=PA9T  
 (4):Housing color:0A=Black  
 (5):Terminal plating: S=Silver  
 (6):Special option:  
 00=No special option  
 (7):Packing mode:  
 1:Reel packing

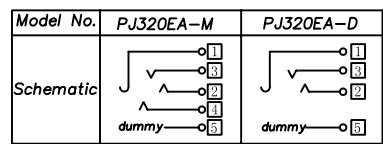
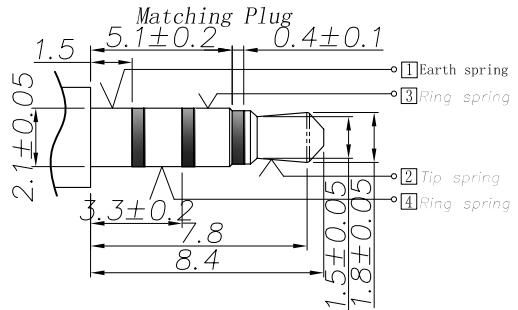
Specification:

- Rating : DC 20V 5A;
- Contact resistance:  $\leq 50m\Omega$  ;  
After test:  $\leq 100m\Omega$
- Insulation resistance:  $\geq 100M\Omega$  (500VDC);  
After test:  $\geq 50M\Omega$
- Withstand voltage: 500VAC ;
- Insertion and extraction force: 3N~30N;
- life test: 5000cycles min;
- Operation temperature range:  $-20^{\circ}C \sim 70^{\circ}C$
- Preservative temperature range:  $-40^{\circ}C \sim 85^{\circ}C$
- Sign "▲" is importance dimension

④	Dummy	⑤	1	Brass t=0.30	TPJ-3C1EA-D1
③	Tip spring	②&③&④	3	Phosphor bronze t=0.25	TPJ-3C1EA-02
②	Earth spring	①	1	Stainless steel t=0.20	TPJ-3C1EA-01
①	Housing		1	PA9T,UL94 V-0	TPJ-3C1EA-S1
NO.	DESCRIPTION	QTY	MATERIAL	PART NO.	PLATING



P. C. B Layout  
(Copper-sided view)



△			
△			
△			
△			
△			
SYM	DISCRIPTION	DATE	APPROVED

**TACLEX** TACLEX ELECTRONICS CO., LTD.

TOLERANCES UNLESS OTHERWISE SPECIFIED  
 LINEAR:  $\pm 0.1$  ANGULAR:  $\pm 3^{\circ}$

REVISIONS A

SIGNATURES: Eric, Alex, Rex

DATE: 2007.07.11

TITLE: EARPHONE JACK

NO. TPJ-3C1EA

SCALE: 5/1