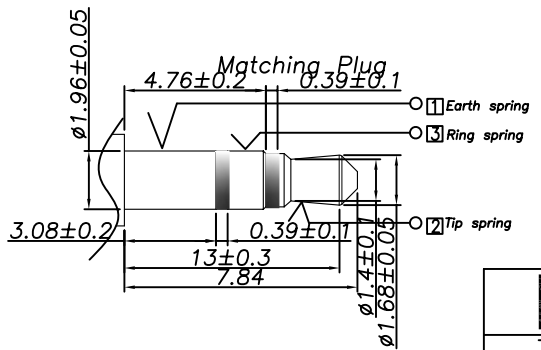
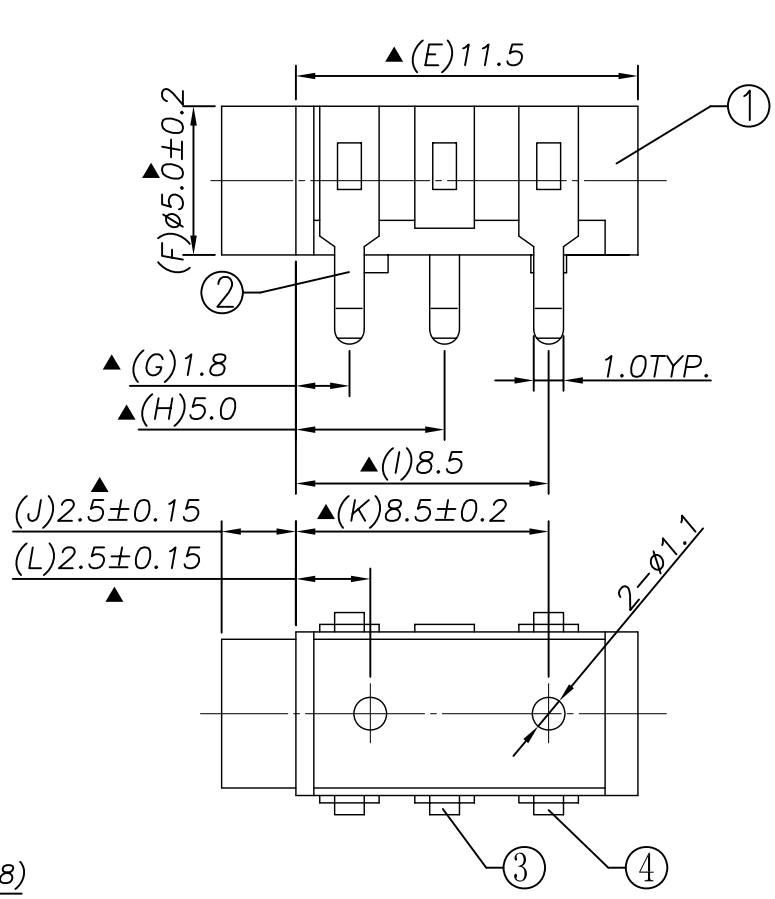
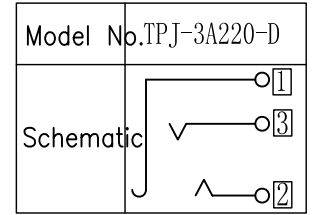


P.C.B. Layout
(Copper-sided view)



Ordering information:
 TPJ-3A220-D □□ □□ S 00 4
 (1) (2) (3) (4) (5) (6) (7)

- (1): Series No
- (2): Schematic option: D
- (3): Material of housing:
 PB=PBT ; 46=PA46 ; PC=PC
- (4): Housing color: 0A=Black
 2N=Red (0166) 4P=Yellow (0258)
 5F=Green (0045) 5G=Green (577C)
 9A=White (0100)
- (5): Terminal plating
 S: Silver (Ag) (standard)
- (6): Special option:
 00: No special option
- (7): Packing mode:
 4: Bag packing



SPECIFICATION

1. Rating : DC 30V 0.5A;
2. Contact resistance: ≤50mΩ;
3. Insulation resistance: ≥100MΩ (DC250V);
4. Withstand voltage: 500VAC ;
5. Insertion and extraction force: 3-30N;
6. life test: 5000 cycles;
7. Sing" ▲'s importance dimention.

④	Tip spring	②	1	Stainless steel T=0.25	TPJ-3A22B-02(JK-0054)	Silver plating
③	Ring spring	③	1	Phosphor bronze T=0.25	TPJ-3A22B-04(JK-0052)	Silver plating
②	Earth spring	①	1	Phosphor bronze T=0.25	TPJ-3A22B-01(JK-0051)	Silver plating
①	Housing		1	PC\PBT\PA46	TPJ-3A220-S1(ST-JK0031)	
NO.	DESCRIPTION	QTY		MATERIAL	PART NO.	PLATING

TACLEX TACLEX ELECTRONICS CO., LTD.

TOLERANCES UNLESS OTHERWISE SPECIFIED LINEAR: ±0.30 ANGULAR: ±3°	SIGNATURES		DATE	TITLE
	DRAWN	Amy	2008.05.23	EARPHONE JACK
	CHK'D	Alex	2008.05.23	NO.
REVISIONS	SCALE	APPV'D		
A	5/1	Rex	2008.05.23	TPJ-3A220

△			
△			
△			
△			
△			
SYM	DISCIPTION	DATE	APPROVED
1			
2			
3			