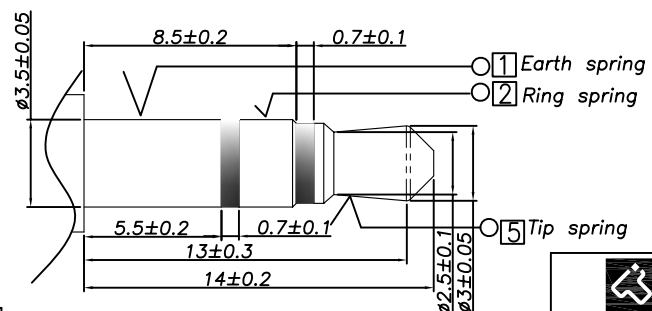


Specification:
 1. Rating : DC 30V 0.5A;
 2. Contact resistance: $\leq 50m\Omega$;
 After test: $\leq 100m\Omega$
 3. Insulation resistance: $\geq 100M\Omega$ (500VDC);
 After test: $\geq 50M\Omega$
 4. Withstand voltage: 500VAC ;
 5. Insertion and extraction force: 3N~30N;
 6. life test: 5000cycles min;
 7. Operation temperature range: -20℃~70℃
 8. Preservative temperature range: -40℃~85℃
 9. Sign"▲" is importance dimension

△			
△			
△			
△			
△			
SYM	DISCIPTION	DATE	APPROVED
1			
2			
3			

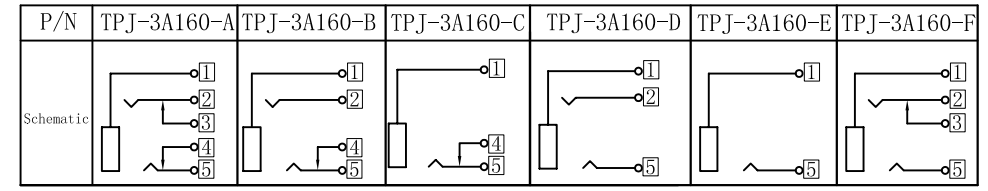


Ordering information:
 TPJ-3A160 - □ PB □ □ □ □ □ □
 (1) (2) (3) (4) (5) (6) (7)

(1):Series No.
 (2):Schematic option: A B C D E F
 (3):Material of housing: PB=PBT (Standard)
 (4):Housing color:
 Zero 0A=Black 5F=Green (0045)
 9A=White (0009)
 (5):Terminal plating
 T=Tin (Sn) (Standard)
 S=Silver (Ag)
 G=Gold (Au)
 (6):Special option:Bushing plating and length

NO	Remark	H	Bushing plating
00		1.3	Nickel
10		1.0	Nickel
0G		1.3	Gold
1G		1.0	Gold

(7):Packing mode:
 3=Plastic box packing
 4=Bag packing



□: TERMINAL NO.

7	Bushing	1	Copper alloy	TPJ-3A160-88	Nickel(Ni) plating
6	Tip spring	1	Stainless steel 0.20t	TPJ-3A160-05	Tin(Sn) plating
5	Shunt terminal	1	Brass 0.40t	TPJ-3A160-04	Tin(Sn) plating
4	Shunt terminal	1	Brass 0.40t	TPJ-3A160-03	Tin(Sn) plating
3	Ring spring	1	Stainless steel 0.20t	TPJ-3A160-02	Tin(Sn) plating
2	Earth terminal	1	Brass 0.20t	TPJ-3A160-01	Tin(Sn) plating
1	Housing	1	PBT	TPJ-3A160-S1	
NO.	DESCRIPTION	QTY	MATERIAL	PART NO.	REMARK

TACLEX TACLEX ELECTRONICS CO., LTD.

TOLERANCES UNLESS OTHERWISE SPECIFIED LINEAR: ±0.30 ANGULAR: ±3°		SIGNATURES		DATE	TITLE
REVISIONS	A	DRAWN	Amy	2008.11.28	EARPHONE JACK
		CHK'D	Alex	2008.11.28	
		APPV'D	Rex	2008.11.28	
					NO. TPJ-3A160

H

H