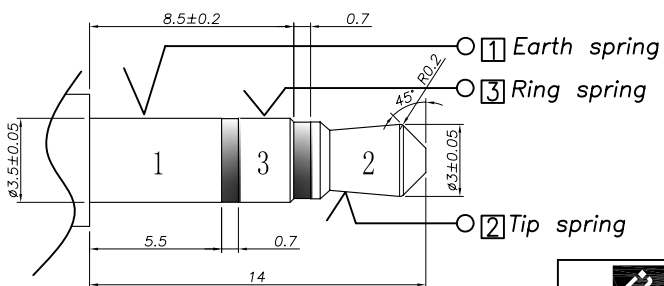
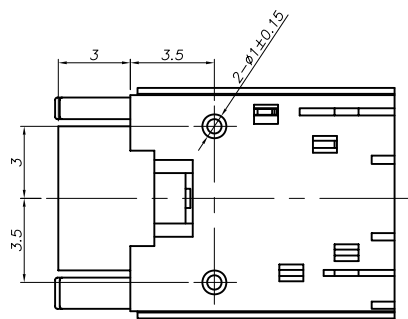
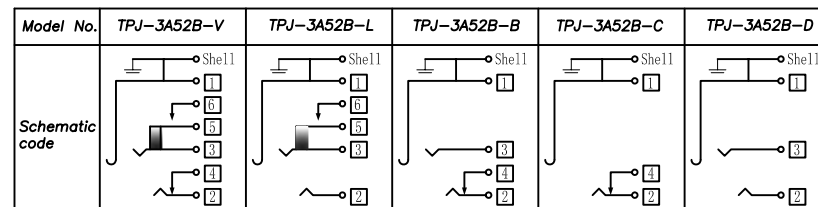
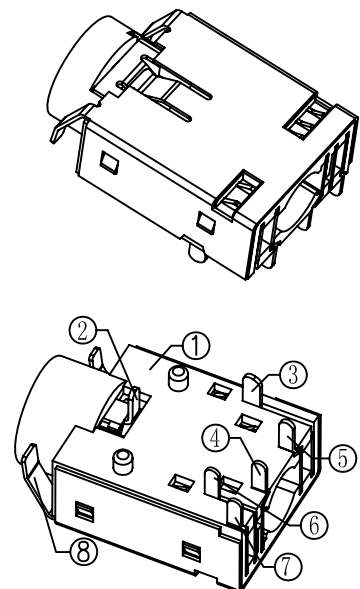


P. C. B Layout
(Copper-sided view)



Matching Plug

Ordering information:
 TPJ-3A52B-? 9T?? S 001
 (1) (2) (3) (4) (5)(6)(7)
 (1):Series No.
 (2):Schematic option:V?L?B?C?D
 (3):Material of housing:
 9T=PA9T
 (4):Housing color:
 0A=Black 2L=Red(701C/0405)
 Zero 5G=Green(577C/0406)
 (5):Terminal plating:
 S=Silver(Ag)
 (6):Special option:
 00=No special option
 (7):Packing mode:
 1=Tape reel packing



Circuit Diagram □: Terminal No.

SPECIFICATION
 1. Rating : DC 30V 0.5A;
 2. Contact resistance: ≤50mΩ;
 3. Insulation resistance: ≥100MΩ (DC250V);
 4. Withstand voltage: 500VAC ;
 5. Insertion and extraction force: 3-30N;
 6. life test: 5000 cycles;
 7. Sign"▲" is importance dimension.

⑧ Shell	1	Stainless steel 0.2t	TPJ-3A52B-W1	Nickel Plating	
⑦ Make terminal	⑥	1	Phosphor bronze 0.2t	TPJ-3A520-06	Silver Plating
⑥ Transfer terminal	⑤	1	Stainless steel 0.2t	TPJ-3A520-05	Silver Plating
⑤ Shunt terminal	④	1	Brass 0.25t	TPJ-3A520-04	Silver Plating
④ Ring spring	③	1	Stainless steel 0.2t	TPJ-3A520-03	Silver Plating
③ Tip spring	②	1	Phosphor bronze 0.25t	TPJ-3A520-02	Silver Plating
② Earth spring	①	1	Phosphor bronze 0.2t	TPJ-3A520-01	Silver Plating
① Housing		1	PA9T,UL 94V-0	TPJ-3A520-S1	
NO.	DESCRIPTION	QTY	MATERIAL	PART NO.	PLATING

TACLEX TACLEX ELECTRONICS CO., LTD.

TOLERANCES UNLESS OTHERWISE SPECIFIED LINEAR: ±0.30 ANGULAR: ±3°	SIGNATURES		DATE	TITLE
	DRAWN	Amy	2007.01.11	EARPHONE JACK
	CHK'D	Alex	2007.01.11	
REVISIONS	SCALE	APPV'D	NO.	TPJ-3A52B
A	5/1	Rex	2007.01.11	

△			
△			
△			
△			
△			
SYM	DISCIPTION	DATE	APPROVED
1			
2			
3			