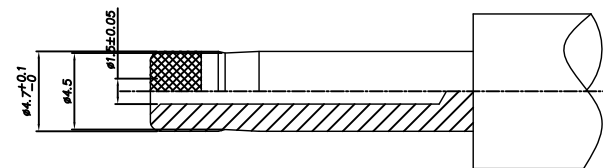
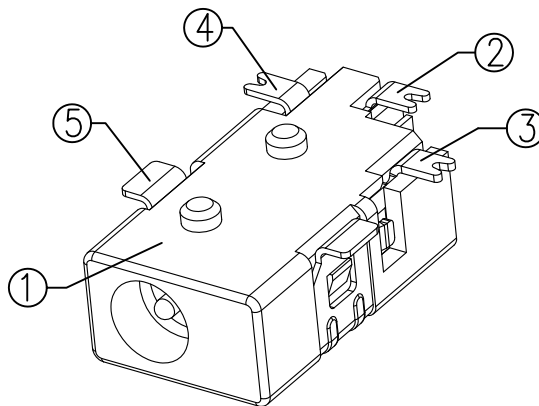
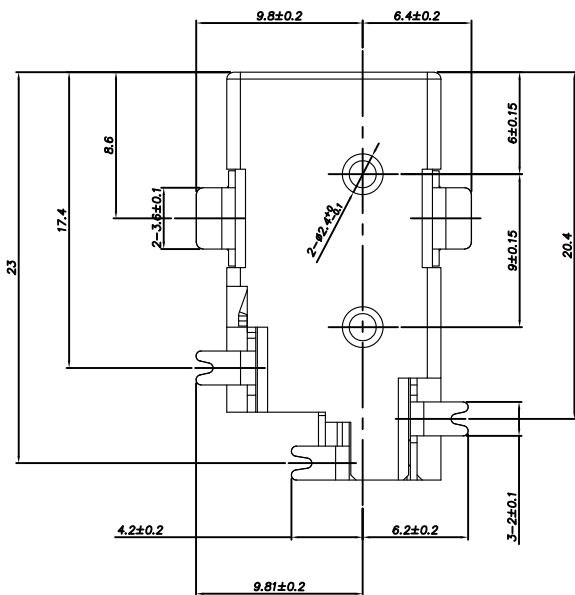
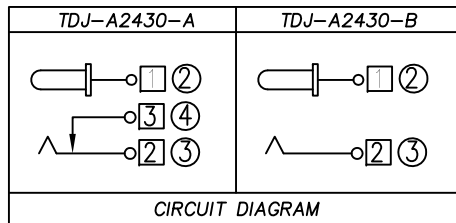


P.C.B Layout (Copper-sided view)



SPECIFICATION

1. Rating : DC 12V 2A;
2. Contact resistance: $\leq 30\text{m}\Omega$;
3. Insulation resistance: $\geq 100\text{M}\Omega$ (DC250V);
4. Withstand voltage: 500VAC ;
5. Insertion and extraction force: 3-30N;
6. life test: 5,000 cycles.



□ : TERMINAL NO. ○ : ITEM NO.

⑤	Earth terminal	1	Brass t=0.2	TDJ-A2430-04	Sn-Plating
④	Shunt terminal	1	Brass t=0.2	TDJ-A2430-03	Ag-Plating
③	Tip spring	1	Bronze t=0.25	TDJ-A2430-02	Ag-Plating
②	Center pin	1	Bronze t=0.2	TDJ-A2430-01A	Ag-Plating
①	Housing	1	PA9T	TDJ-A2430-S1	

TACLEX TACLEX ELECTRONICS CO., LTD.

TOLERANCES UNLESS OTHERWISE SPECIFIED
 LINEAR: ± 0.30 ANGULAR: $\pm 3^\circ$

SIGNATURES

DATE

TITLE

DC POWER JACK

DRAWN Johnson

2011.5.20

CHK'D Alex

2011.5.20

NO.

TDJ-A2430

REVISIONS

A



SCALE

5/1

APPV'D

Rex

2011.5.20

△			
△			
△			
△			
△			
SYM	DISCIPTION	DATE	APPROVED

1

2

3

4

5

6

7

8

9

10