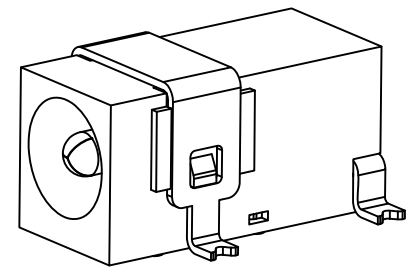
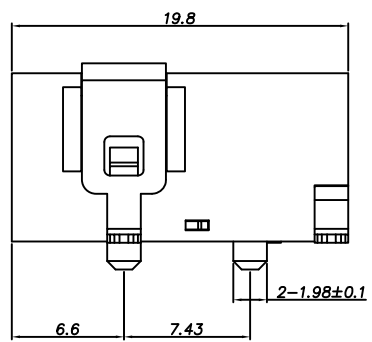
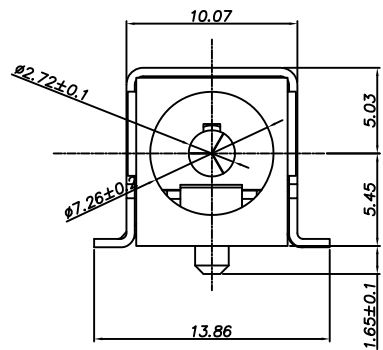
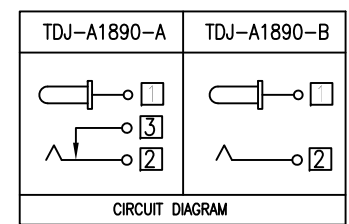


P.C.B Layout (Copper-sided view)

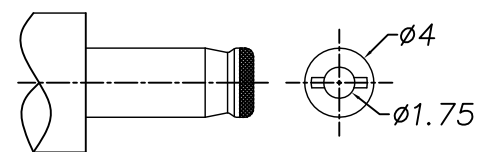


TDJ-A 1 8 9 0 - □ □ □ □ □ □ □ □ □

- ①: Series type: DC=DC POWER JACK
- ②: Series No.
- ③: Schematic option:
A、B
- ④: Center pin diameter:
G=∅1.65
- ⑤: Material of housing:
9T=PA9T (Standard)
- ⑥: Housing color:
0A=Black (Standard)
- ⑦: Terminal plating:
S=Silver(Ag)
- ⑧: Special option:
0=No special option
- ⑨: Packing mode:
1=Reel packing



□ : TERMINAL NO.



DC MATE PLUG

SPECIFICATION
 1. Rating : DC 6.3V 2A;
 2. Contact resistance: ≤30mΩ;
 3. Insulation resistance: ≥100MΩ (DC250V);
 4. Withstand voltage: 500VAC ;
 5. Insertion and extraction force: 3-30N;
 6. life test: 5,000 cycles.

⑤	Frame	1	Brass t=0.3	Ag-Plating
④	Shunt terminal	③	Brass t=0.3	Ag-Plating
③	Tip spring	②	Phosphor Bronze t=0.3	Ag-Plating
②	Center pin	□	Brass t=0.3	Ag-Plating
①	Housing	1	PA9T	

TACLEX TACLEX ELECTRONICS CO., LTD.

△			
△			
△			
△			
△			
SYM	DISCRIPTION	DATE	APPROVED

TOLERANCES UNLESS OTHERWISE SPECIFIED LINEAR: ±0.30 ANGULAR: ±3°	SIGNATURES		DATE	TITLE
	DRAWN	Johnson	2011.5.20	DC POWER JACK
	CHK'D	Alex	2011.5.20	NO.
REVISIONS	SCALE	APPV'D	Rex	2011.5.20
A	5/1			