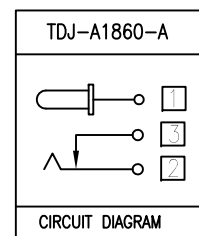
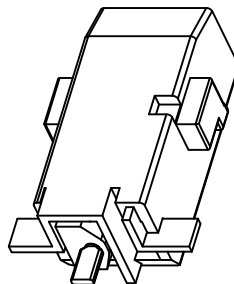
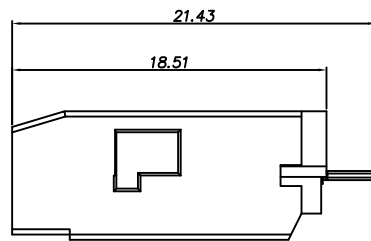
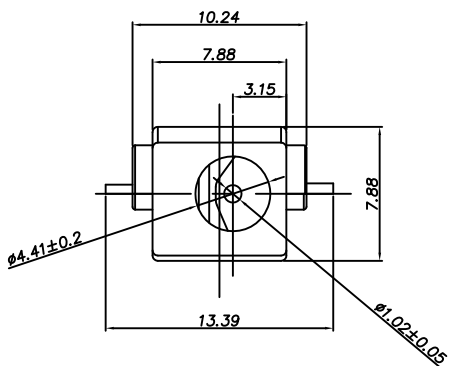
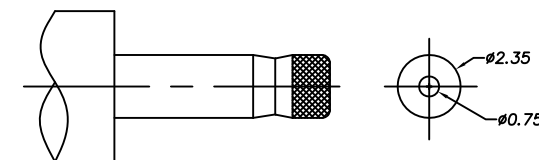


P. C. B Layout (Copper-sided view)



□ : TERMINAL NO.



DC MATE PLUG

Ordering information:

TDJ-A 1 8 6 0 - A A PB OA S 0 4

- (1) Series type: DC=DC POWER JACK
- (2) Series No.
- (3) Schematic option:
A
- (4) Center pin diameter:
A=φ0.65
- (5) Material of housing:
PB=PBT (Standard)
- (6) Housing color:
0A=Black
- (7) Terminal plating:
S=Silver (Ag)
- (8) Special option:
0=No special option
- (9) Packing mode:
4=Bag packing

- SPECIFICATION
1. Rating : DC 12V 3A;
 2. Contact resistance: $\leq 30m\Omega$;
 3. Insulation resistance: $\geq 100M\Omega$ (DC250V);
 4. Withstand voltage: 500VAC ;
 5. Insertion and extraction force: 3-30N;
 6. life test: 5,000 cycles.

④	Shunt terminal	<input type="checkbox"/>	1	Phosphor bronze t=0.4	Silver plating
③	Tip spring	<input type="checkbox"/>	1	Phosphor bronze t=0.35	Silver plating
②	Center pin	<input type="checkbox"/>	1	Brass	CuSn plating
①	Housing		1	PBT	

△			
△			
△			
△			
△			
SYM	DISCIPTION	DATE	APPROVED

TACLEX TACLEX ELECTRONICS CO., LTD.

TOLERANCES UNLESS OTHERWISE SPECIFIED LINEAR: ± 0.30 ANGULAR: $\pm 3^\circ$		SIGNATURES		DATE	TITLE
		DRAWN	Johnson	2011.5.20	DC POWER JACK
REVISIONS		CHK'D	Alex	2011.5.20	NO.
A		APPV'D	Rex	2011.5.20	TDJ-A1860
SCALE					
5/1					