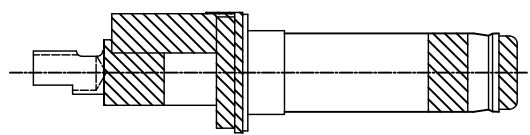
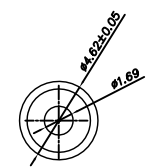


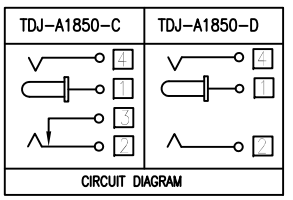
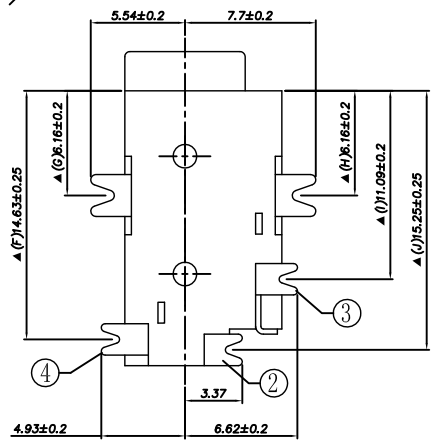
Recommended PCB Layout  
(Tolerance±0.05)  
(Copper-sided View)



DC MATE PLUG



Ordering information:  
 TDJ-A1850 - □ C 9T 0A □ 0 1  
 (1) (2) (3) (4) (5) (6) (7) (8) (9)  
 (1):Series type:DC=DC POWER JACK  
 (2):Series No.  
 (3):Schematic option:  
 C, D  
 (4):Center pin diameter:  
 C=φ1.0  
 (5):Material of housing:  
 9T=PA9T (Standard)  
 (6):Housing color:  
 Zero □ 0A=Black  
 (7):Terminal plating:  
 S=Silver(Ag) G=Gold(Au)  
 (8):Special option:  
 0=No special option  
 (9):Packing mode:  
 1=Reel packing



□ : TERMINAL NO.

**SPECIFICATION**  
 1.Rating : DC 20V 2A;  
 2.Contact resistance: ≤30mΩ;  
 After test:≤50mΩ;  
 3.Insulation resistance: ≥100MΩ (DC500V);  
 4.Withstand voltage: 500VAC ;  
 5.Insertion and extraction force: 3-30N;  
 6.life test: 5,000 cycles;  
 7.Operation temperature range:-20°C~70°C;  
 8.Preservative temperature range:-40°C~85°C;  
 9.Sign"▲" is importance dimension.

⑤	Shield	□	1	Phosphor bronze,0.25t	TDJ-A1850-03(W1-1375)	Gold plating
④	Shunt terminal	□	1	Brass,0.25t	TDJ-A1850-01(WP-933)	Gold plating
③	Tip spring	□	1	Phosphor bronze,0.25t	TDJ-A1850-02(TP-934)	Gold plating
②	Center pin	□	1	Brass,0.25t	TDJ-A1850-99(YZ-936)	Gold plating
①	Housing	□	1	PA9T	TDJ-A1850-S1(ST-1373)	Black

**TACLEX** TACLEX ELECTRONICS CO., LTD.

TOLERANCES UNLESS OTHERWISE SPECIFIED LINEAR:±0.30 ANGULAR: ±3°	SIGNATURES		DATE	TITLE
	DRAWN	Johnson	2011.5.20	DC POWER JACK
	CHK'D	Alex	2011.5.20	NO.
REVISIONS	SCALE	APPV'D		
A	5/1	Rex	2011.5.20	TDJ-A1850

△			
△			
△			
△			
△			
SYM	DISCIPTION	DATE	APPROVED
1			
2			
3			
4			
5			
6			
7			
8			
9			
10			