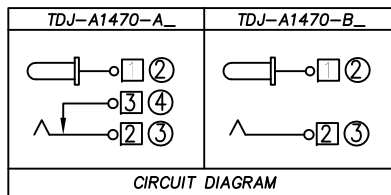
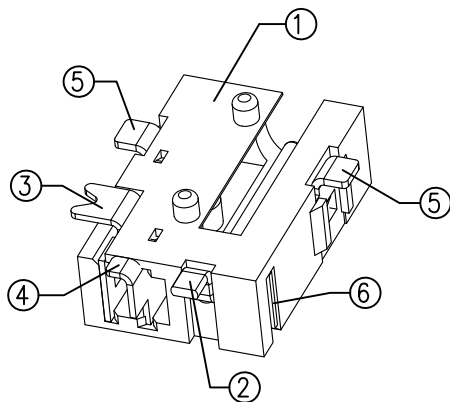
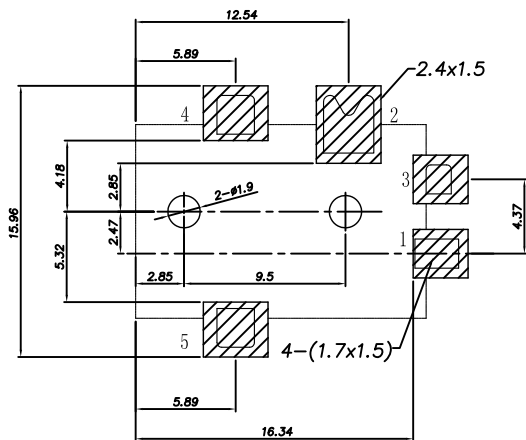


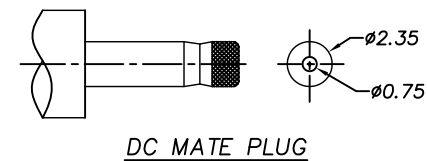
P. C. B Layout(Copper-sided view)



□ : TERMINAL NO. ○ : ITEM NO.

TDJ-A 1 4 7 0 - □ □ □ □ □ □ □ □ □ □  
 ① ② ③ ④ ⑤ ⑥ ⑦ ⑧ ⑨

- ①: Series type: DC=DC POWER JACK
- ②: Series No.
- ③: Schematic option:  
A, B
- ④: Center pin diameter:  
A:  $\phi 0.65$
- ⑤: Material of housing:  
9T=PA9T
- ⑥: Housing color:  
0A=Black (Standard)
- ⑦: Terminal plating:  
S: Silver(Ag), G: Gold(Au)
- ⑧: Special option:  
0: No special option
- ⑨: Packing mode:  
1: Reel packing



SPECIFICATION

- 1. Rating : DC 12V 1A;
- 2. Contact resistance:  $\leq 30m\Omega$ ;
- 3. Insulation resistance:  $\geq 100M\Omega$  (DC500V);
- 4. Withstand voltage: 500VAC ;
- 5. Insertion force: 2-20N  
extraction force: 3-20N;
- 6. life test: 5,000 cycles.

⑥	Cumber terminal	1	Brass t=0.2	TDJ-A1470-05(PP-829)	Ag-Plating
⑤	Contact terminal	2	Brass t=0.25	TDJ-A1470-04(JA-830)	Ag-Plating
④	Shunt terminal	1	Brass t=0.2	TDJ-A1470-03(WP-827)	Au-Plating
③	Tip spring	1	Be-Cu t=0.2	TDJ-A1470-02(TP-828)	Au-Plating
②	Center pin	1	Bronze	TDJ-A1470-99A(PZ-831)	Ag-Plating
①	Housing	1	PA9T UL94V-0	TDJ-A1470-S1(ST-826)	

△			
△			
△			
△			
△			
△			
SYM	DISCIPTION	DATE	APPROVED
1			
2			
3			

**TACLEX** TACLEX ELECTRONICS CO., LTD.

TOLERANCES UNLESS OTHERWISE SPECIFIED LINEAR: $\pm 0.30$ ANGULAR: $\pm 3^\circ$	SIGNATURES		DATE	TITLE
	DRAWN	Johnson	2011.5.20	DC POWER JACK
	CHK'D	Alex	2011.5.20	NO.
REVISIONS	SCALE	APPV'D		
A	5/1	Rex	2011.5.20	TDJ-A1470