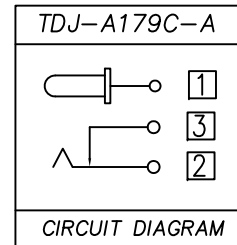
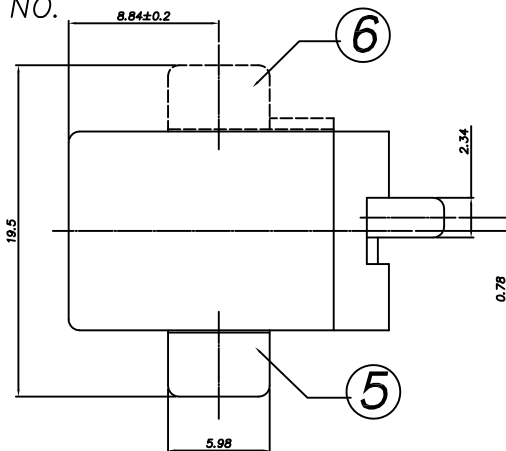
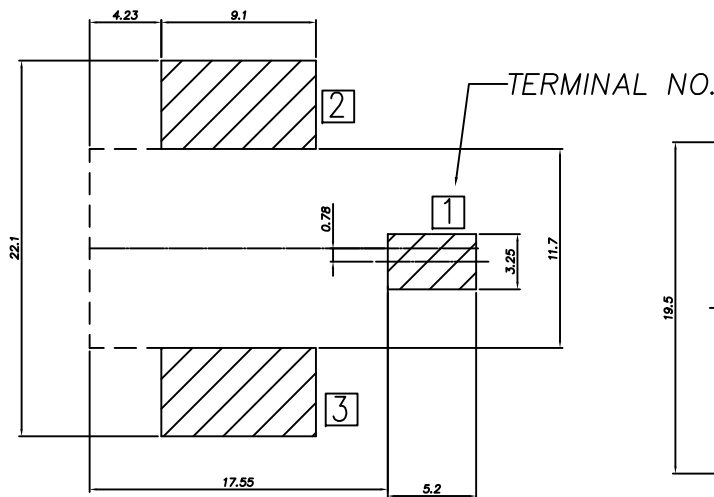
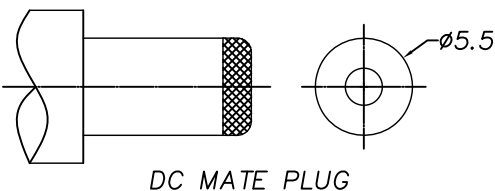


**TDJ -A 1 7 9 C - A** □ 9T 0A S 0 1  
 (1) (2) (3) (4) (5) (6) (7) (8) (9)  
 (1) :Series type:DC=DC POWER JACK  
 (2) :Series No.  
 (3) :Schematic option: A  
 (4) :Center pin diameter: H=φ2.0 , J=φ2.5  
 (5) :Material of housing:  
 9T=PA9T (Standard)  
 (6) :Housing color:  
 0A=Black  
 (7) :Terminal plating:  
 S=Silver (Ag)  
 (8) :Special option:  
 0=No special option  
 (9) :Packing mode:  
 1:Reel packing



Model No.	TDJ-A179C-H	TDJ-A179C-J
PIN	φ2.0	φ2.5

P. C. B Layout (Printed-sided view)



6	Shunt terminal	□	1	Brass t=0.5	TDJ-A1790-03	Silver plating
5	Tip spring	□	1	Phosphor bronze t=0.25	TDJ-A1790-02	Silver plating
4	Center pin terminal	□	1	Brass t=0.5	TDJ-A1790-01	Silver plating
3	Center pin	□	1	Brass	TDJ-A179B-99H/J	Nickel plating
2	Cover		1	PA9T	TDJ-A1790-S2	
1	Housing		1	PA9T	TDJ-A1790-S1	

**SPECIFICATION**  
 1.Rating : DC 10V 5A;  
 2.Contact resistance: ≤30mΩ;  
 3.Insulation resistance: ≥100MΩ (DC250V);  
 4.Withstand voltage: 500VAC ;  
 5.Insertion and extraction force: 3-30N;  
 6.life test: 5,000 cycles.

**TACLEX** TACLEX ELECTRONICS CO., LTD.

TOLERANCES UNLESS OTHERWISE SPECIFIED LINEAR:±0.30 ANGULAR: ±3°		SIGNATURES	DATE	TITLE
REVISIONS		CHK'D	APPV'D	NO.
A	SCALE 5/1	Johnson	Rex	DC POWER JACK
				TDJ-A179C

△			
△			
△			
△			
△			
SYM	DISCIPTION	DATE	APPROVED