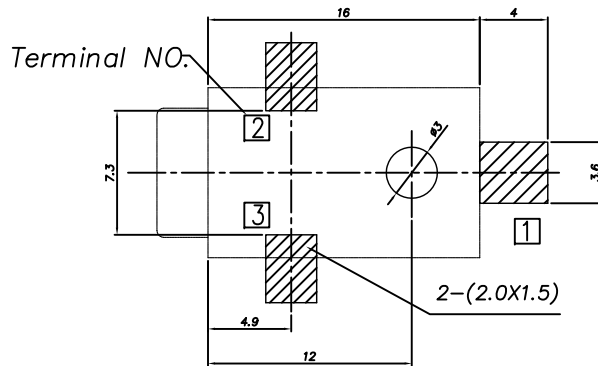
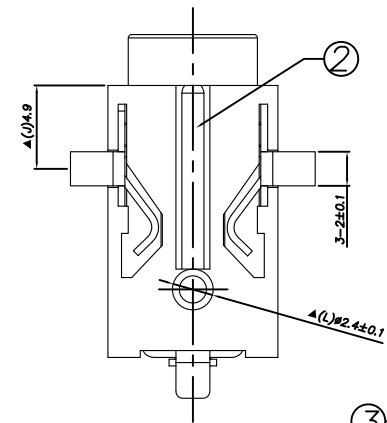
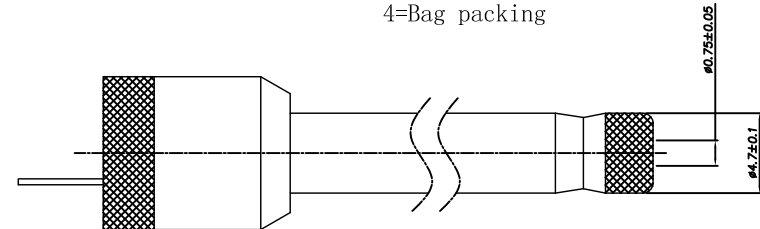


SECTION A-A

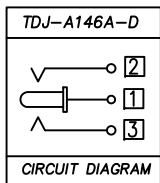
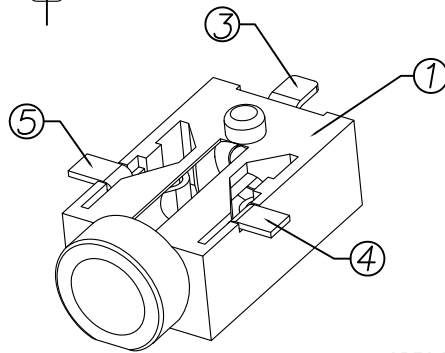
Ordering information:
 TDJ-A 1 4 6 A - D A 9T S 0
 (1) (2) (3) (4) (5) (6) (7) (8) (9)
 (1):Series type:DC=DC POWER JACK
 (2):Series No.
 (3):Schematic option: D
 (4):Center pin diameter:
 A=Ø0.65
 (5):Material of housing:
 9T=PA9T
 (6):Housing color:
 0A=Black, 9C=White(0419)
 (7):Terminal plating:
 S=Silver (Ag)
 0=No special option
 (8):Special option:
 0=No special option
 (9):Packing mode:
 1=Reel packing
 4=Bag packing



P.C.B Layout (Top view)



DC MATE PLUG



: TERMINAL NO.

SPECIFICATION

- Rating : DC 12V 1A;
- Contact resistance: $\leq 30m\Omega$;
- Insulation resistance: $\geq 100M\Omega$ (DC500V);
- Withstand voltage: 500VAC ;
- Insertion and extraction force: 3-30N;
- life test: 5,000 cycles;
- Operation temperature range:-20°C~70°C;
- Preservative temperature range:-40°C~85°C;
- Sign"▲" is importance dimension.

| | | | | | | |
|---|---------------------|--------------------------|---|------------------|------------------------|----------------|
| ⑤ | Tip spring | <input type="checkbox"/> | 1 | Beryllium bronze | TDJ-A146A-03(TP-1308) | Silver plating |
| ④ | Tip spring | <input type="checkbox"/> | 1 | Beryllium bronze | TDJ-A146A-02(TP-1307) | Silver plating |
| ③ | Center pin terminal | <input type="checkbox"/> | 1 | Brass | TDJ-A1460-01(WP-1296) | Silver plating |
| ② | Center pin | <input type="checkbox"/> | 1 | Brass | TDJ-A1460-99A(YZ-1299) | Silver plating |
| ① | Housing | <input type="checkbox"/> | 1 | PA9T | TDJ-A1460-S1(ST-1295) | |

TACLEX TACLEX ELECTRONICS CO., LTD.

| | | | | | |
|--|--|---------------|--|-----------|---------------|
| TOLERANCES UNLESS OTHERWISE SPECIFIED LINEAR: ± 0.30 ANGULAR: $\pm 3^\circ$ | | SIGNATURES | | DATE | TITLE |
| | | DRAWN Johnson | | 2011.5.20 | DC POWER JACK |
| REVISIONS | | CHK'D Alex | | 2011.5.20 | NO. |
| A | | APPV'D Rex | | 2011.5.20 | TDJ-A146A |
| SCALE 5/1 | | | | | |

| | | | |
|-----|------------|------|----------|
| △ | | | |
| △ | | | |
| △ | | | |
| △ | | | |
| △ | | | |
| SYM | DISCIPTION | DATE | APPROVED |