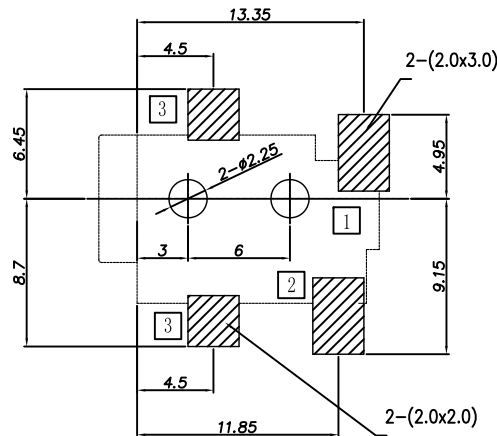
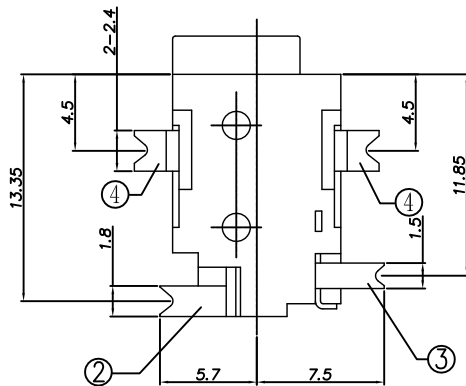


P. C. B Layout (Copper-sided view)



TDJ-A 1 2 2 A - □ □ □ □ □ □ □ □ □

(1) (2) (3) (4) (5) (6) (7) (8) (9)

(1):Series type:DC=DC POWER JACK

(2):Series No.

(3):Schematic option: G

(4):Center pin diameter:

C=Ø1.0 , E=Ø1.3

(5):Material of housing:

9T=PA9T (Standard)

(6):Housing color:

0A=Black

Zero (7):Terminal plating:

S=Silver (Ag) , N=Nickel (Ni)

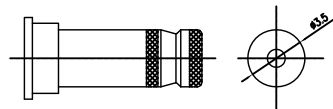
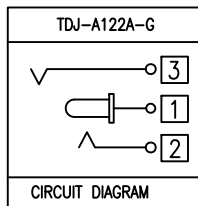
(8):Special option:

0=No special option

(9):Packing mode:

1=Reel packing

Model No.	TDJ-A122A-C	TDJ-A122A-E
PIN	Ø1.0	Ø1.3



DC MATE PLUG

SPECIFICATION

- 1.Rating : DC 30V 1A;
- 2.Contact resistance:  $\leq 30m\Omega$ ;
- 3.Insulation resistance:  $\geq 100M\Omega$  (DC250V);
- 4.Withstand voltage: 250VAC ;
- 5.Insertion and extraction force: 3-30N;
- 6.life test: 5,000 cycles.

④	Tip spring II	3	1	Phosphor Bronze	Ag/Ni-Plating
③	Tip spring I	2	1	Phosphor Bronze	Ag/Ni-Plating
②	Center pin	1	1	Brass	Ag/Ni-Plating
①	Housing		1	PA9T	

**TACLEX** TACLEX ELECTRONICS CO., LTD.

TOLERANCES UNLESS OTHERWISE SPECIFIED LINEAR: $\pm 0.30$ ANGULAR: $\pm 3^\circ$		SIGNATURES	DATE	TITLE
DRAWN	Johnson		2011.5.20	DC POWER JACK
CHK'D	Alex		2011.5.20	NO. TDJ-A122A
APPV'D	Rex		2011.5.20	

REVISIONS  
A



SCALE  
5/1

SYM	DISCIPTION	DATE	APPROVED
△			
△			
△			
△			
△			