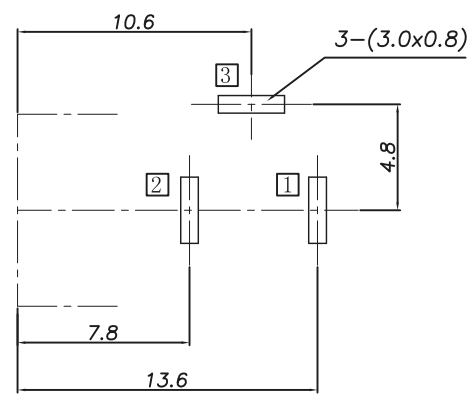


P. C. B Layout
(Copper-sided view)

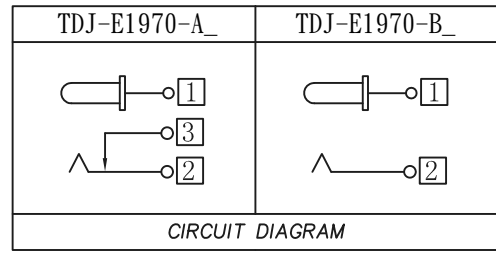
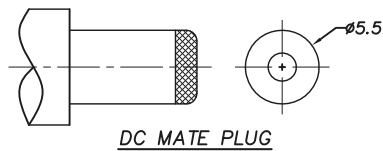


Ordering information:

TDJ-E1970 - □ □ PB 0A T 0 4

- (1): Series type:
- (2): Series No.
- (3): Schematic option:
A, B
- (4): Center pin diameter:
H=□2.0, I=□2.35, J=□2.5
- (5): Material of housing:
PB=PBT (Standard)
- (6): Housing color:
0A=Black
- (7): Terminal plating:
T=Tin (Sn)
- (8): Special option:
0=No special option
- (9): Packing mode:
4=Bag packing

Zero

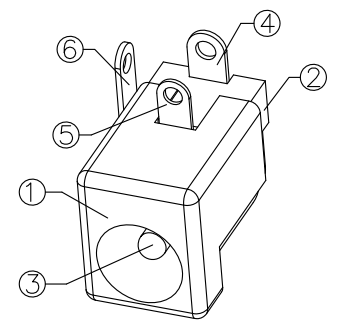


□ : TERMINAL NO.

Model No.	TDJ-E1970-H	TDJ-E1970-I	TDJ-E1970-J
PIN	φ2.0	φ2.35	φ2.5

SPECIFICATION

1. Rating : DC 12V 5A;
2. Contact resistance: $\leq 30m\Omega$;
3. Insulation resistance: $\geq 100M\Omega$ (DC250V);
4. Withstand voltage: 500VAC ;
5. Insertion and extraction force: 3-30N;
6. life test: 5,000 cycles;
7. Sign "▲" is importance dimension.



NO.	DESCRIPTION	QTY	MATERIAL	PART NO.	REMARK
⑥	Shunt terminal	3	Brass t=0.40	DC50050-03(WP-841)	Tin plating
⑤	Tip spring	2	Phosphor bronze t=0.3	DC50050-02(TP-842)	Tin plating
④	Center pin terminal	1	Brass t=0.40	DC50050-01(PP-843)	Tin plating
③	Center pin	1	Brass	DC00050-99H/I/J	Nickel plating
②	Cover	1	PBT	DC50050-S2(GZ-844)	
①	Housing	1	PBT	DC50060-S1(ST-846)	

TACLEX TACLEX ELECTRONICS CO., LTD.

TOLERANCES UNLESS OTHERWISE SPECIFIED LINEAR: ±0.30 ANGULAR: ±3°		SIGNATURES		DATE	TITLE
DRAWN	James			2009.03.18	DC POWER JACK
CHK'D	Andy			2009.03.18	NO. TDJ-E1970
APPV'D	Rex			2009.03.18	

SYM	DISCIPTION	DATE	APPROVED
△			
△			
△			
△			