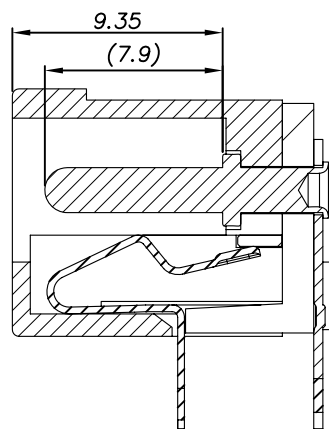
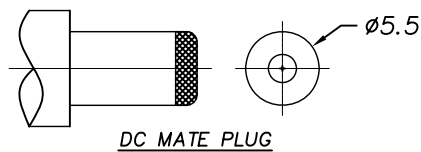


P. C. B Layout
(Copper-sided view)



SEC:A-A



DC MATE PLUG

Ordering information:

TDJ-A1960 - □ □ PB □ □ T 0 4

(1) (2) (3) (4) (5) (6) (7) (8) (9)

(1):Series type:DC=DC POWER JACK

(2):Series No.

(3):Schematic option:

A、B

(4):Center pin diameter:

H=02.0, I=02.35, J=02.5

(5):Material of housing:

PB=PBT (Standard)

(6):Housing color:

0A=Black, 4H=Yellow (0039),

5I=Green (0274), 5P=Green (0116),

6B=Blue (0037), 8A=Gray (0292),

8G=Gray (0228), 9A=White (0100)

(7):Terminal plating:

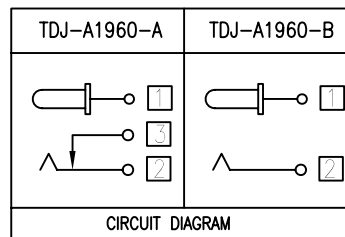
T=Tin(Sn)

(8):Special option:

0=No special option

(9):Packing mode:

4=Bag packing



Model No.	TDJ-A1960- _H	TDJ-A1960- _I	TDJ-A1960- _J
PIN	φ2.0	φ2.35	φ2.5

SPECIFICATION

- 1.Rating : DC 20V 4A;
- 2.Contact resistance: ≤30mΩ;
- 3.Insulation resistance: ≥100MΩ (DC500V);
- 4.Withstand voltage: 500VAC ;
- 5.Insertion and extraction force: 3-30N;
- 6.life test: 5,000 cycles;
- 7.Operation temperature range:-20°C~70°C;
- 8.Preservative temperature range:-40°C~85°C;
- 9.Sign"▲" is importance dimension.

⑥	Shunt terminal	③	1	Brass t=0.5	DC00050-03(WP-DC0002)	Tin plating
⑤	Tip spring	②	1	Phosphor bronze t=0.30	DC00050-02(TP-DC0002)	Tin plating
④	Center pin terminal	①	1	Brass t=0.40	DC00050-01(PP-DC0002)	Tin plating
③	Center pin	①	1	Brass	DC00050-99H/I/J	CuSn/Nickel plating
②	Cover		1	PBT	DC00050-S2(GZ-DC0002)	
①	Housing		1	PBT	DC00050-S1(ST-DC0002)	
NO.	DESCRIPTION	QTY	MATERIAL	PART NO.	REMARK	

TACLEX TACLEX ELECTRONICS CO., LTD.

TOLERANCES UNLESS OTHERWISE SPECIFIED LINEAR:±0.30 ANGULAR: ±3°		SIGNATURES	DATE	TITLE
REVISIONS	SCALE	APPV'D		
A	5/1	Rex	2010.11.02	DC POWER JACK
				NO. TDJ-A1960

SYM	DISCIPTION	DATE	APPROVED
△			
△			
△			
△			
△			