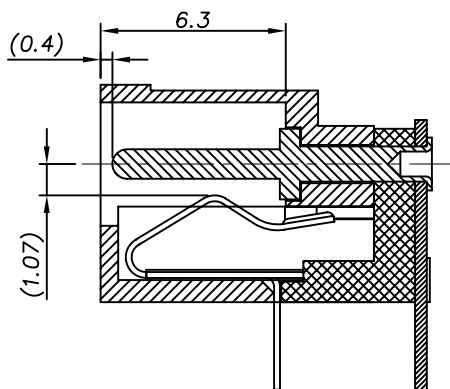
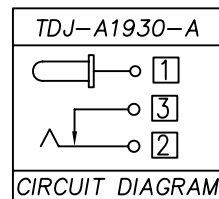


Recommended PCB Layout(Tolerance±0.1)
(Copper-sided View)



SECTION A-A



□ : TERMINAL NO.

Ordering information:

TDJ-A1930 □ □ □ 0A S 0 4

(1) (2) (3) (4) (5) (6) (7) (8) (9)

(1):Series type:DC=DC POWER JACK

(2):Series No.

(3):Schematic option: A

(4):Center pin diameter:

A=0.65 , C=1.0 , E=1.3

(5):Material of housing:

PB=PBT (Standard) 9T=PA9T

(6):Housing color:

Zero → 0A=Black (Standard)

(7):Terminal plating

S=Silver(Ag)

(8):Special option:

Zero → 0=No special option

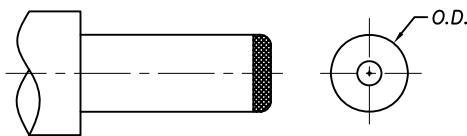
(9):Packing mode:

4=Bag packing

Model No.	TDJ-A1930-A	TDJ-A1930-C	TDJ-A1930-E
PIN	∅0.65	∅1.0	∅1.3
DC PLUG O.D.	∅2.35	∅3.5	∅3.5

SPECIFICATION

- 1.Rating:DC 20V 2A;
- 2.Contact resistance:≤50mΩ;
After test:≤100mΩ;
- 3.Insulation resistance;≥100MΩ; (DC500V);
After test:≥50MΩ;
- 4.Withstand voltage:500VAC;
- 5.Insertion and extraction force:3-30N;
- 6.life test 5,000 cycles;
- 7.Operation temperature range:-20~70°C;
- 8.Preservative temperature range:-40~85°C;
- 9.Sign"▲"is importance dimension



DC MATE PLUG

⑥	Shunt terminal	□	1	Brass t=0.4	TDJ-A1930-03(WP-DC0001)	Sliver Plating
⑤	Tip spring	□	1	STAINLESS STEEL t=0.2	TDJ-A1930-02(TP-DC0001)	Sliver Plating
④	Center pin terminal	□	1	Brass t=0.40	TDJ-A1930-01(PP-DC0001)	Sliver Plating
③	Center pin	□	1	Brass	TDJ-A1930-99A/C/E/G	Nickel Plating
②	Cover		1	PBT/PA9T	TDJ-A1930-S2(GZ-DC0001)	
①	Housing		1	PBT/PA9T	TDJ-A1930-S1(ST-DC0001)	
NO.	DESCRIPTION		QTY	MATERIAL	PART NO.	REMARK



TACLEX

TACLEX ELECTRONICS CO., LTD.

TOLERANCES UNLESS OTHERWISE SPECIFIED
LINEAR:±0.30 ANGULAR: ±3°

SIGNATURES

DATE

TITLE

DRAWN Amy

2005.11.20

DC POWER JACK

REVISIONS

A

SCALE

5/1

APPV'D Rex

2005.11.20

NO.

TDJ-A1930

△			
△			
△			
△			
△			
SYM	DISCIPTION	DATE	APPROVED