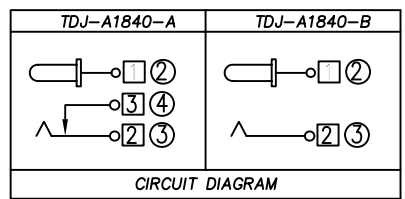
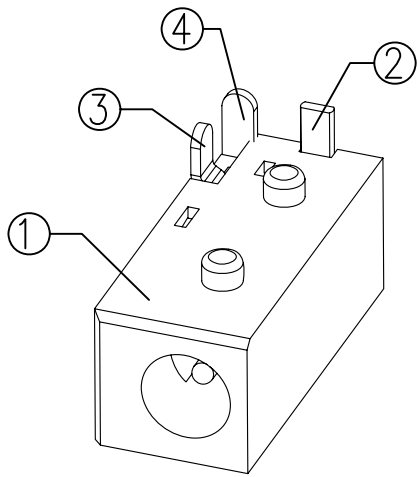
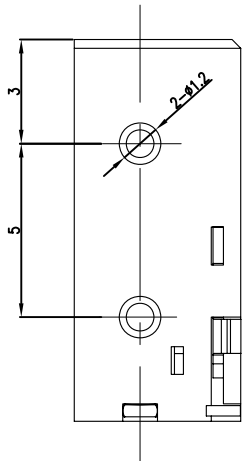
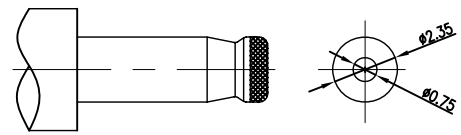


P. C. B Layout (Copper-sided view)



□ : TERMINAL NO. ○ : ITEM NO.

- TDJ-A1840 - □ □ □ □ □ □ □ □
- ① ② ③ ④ ⑤ ⑥ ⑦ ⑧ ⑨
- ①: Series type: DC=DC POWER JACK
 - ②: Series No.
 - ③: Schematic option:
A, B
 - ④: Center pin diameter:
A: $\phi 0.65$
 - ⑤: Material of housing:
PB=PBT (Standard)
 - ⑥: Housing color:
0A=Black (Standard)
 - ⑦: Terminal plating:
S: Silver(Ag)
 - ⑧: Special option:
0: No special option
 - ⑨: Packing mode:
4: Bag packing



DC MATE PLUG

SPECIFICATION

1. Rating : DC 30V 0.5A;
2. Contact resistance: $\leq 30m\Omega$;
3. Insulation resistance: $\geq 100M\Omega$ (DC500V);
4. Withstand voltage: 500VAC ;
5. Insertion and extraction force: 3-30N;
6. life test: 5,000 cycles.

④	Shunt terminal	1	Brass t=0.3	TDJ-A1840-03(WP-1256)	Ag-Plating
③	Tip spring	1	Bronze t=0.3	TDJ-A1840-02(TP-1257)	Ag-Plating
②	Center pin	1	Bronze	TDJ-A1840-99A(YZ-1258)	Ag-Plating
①	Housing	1	PBT UL94V-0	TDJ-A1840-S1(ST-1255)	
NO.	DESCRIPTION	QTY	MATERIAL	PART NO.	PLATING

TACLEX TACLEX ELECTRONICS CO., LTD.

TOLERANCES UNLESS OTHERWISE SPECIFIED LINEAR: ± 0.30 ANGULAR: $\pm 3^\circ$	SIGNATURES		DATE	TITLE
	DRAWN	Amy	2008.11.22	DC POWER JACK
	CHK'D	Alex	2008.11.22	NO.
REVISIONS	SCALE	APPV'D	Rex	2008.11.22
A	5/1			TDJ-A1840

△			
△			
△			
△			
△			
SYM	DISCIPTION	DATE	APPROVED
1			
2			
3			
4			
5			
6			
7			
8			
9			
10			