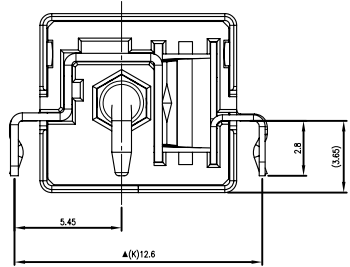
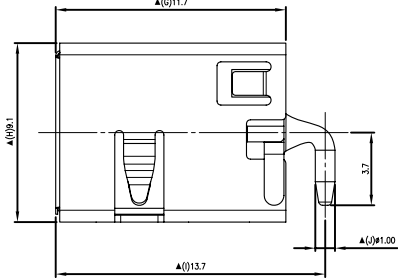
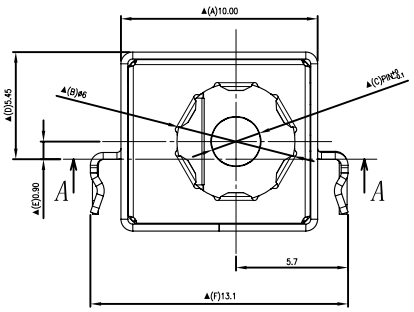
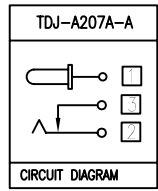


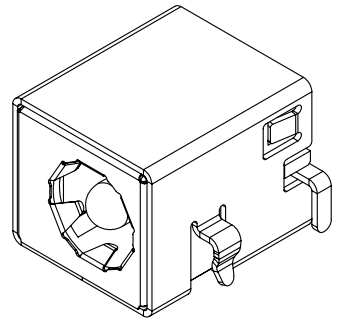
RECOMMENDED P. C. B. LAYOUT
UNSPECIFIED TOLERANCE: ±0.05
(COPPER-SIDED VIEW)



Ordering information:
TDJ-A207A - A 0A S 1
(1) (2) (3) (4) (5) (6) (7) (8) (9)
(1):Series type:DC=DC POWER JACK
(2):Series No.
(3):Schematic option: A
(4):Center pin diameter:
G=Ø1.65, H=Ø2.0, J=Ø2.5
(5):Material of housing:
9T=PA9T(Standard), 10=PA10T
(6):Housing color: 0A=Black
(7):Terminal plating: S=Silver(Ag)
(8):Special option:
Zero =No special option
H=Housing is Halogen Free.
(9):Packing mode: 1=Reel packing

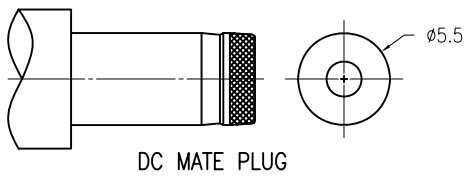


: TERMINAL NO.



Model No.	TDJ-A207A-_G	TDJ-A207A-_H	TDJ-A207A-_J
PIN	Ø1.65	Ø2.0	Ø2.5

SPECIFICATION
1.Rating : DC 20V 7A;
2.Contact resistance: ≤30mΩ,
After life test:≤50mΩ;
3.Insulation resistance: ≥100MΩ (DC500V),
After life test:≥50MΩ;
4.Withstand voltage: 500VAC ;
5.Insertion and extraction force: 3-30N;
6.life test: 5,000 cycles;
7.Operation temperature range:-20°C~70°C;
8.Preservative temperature range:-40°C~85°C;
9.Sign"▲" is importance dimension.



NO.	DESCRIPTION	QTY	MATERIAL	PART NO.	RMARK
⑦	Ground terminal	1	Stainless steel, t0.1	TDJ-A207A-E1	
⑥	Shield	1	Brass, t0.35	TDJ-A2070-W1	Nickel plating
⑤	Terminal	1	Brass, t0.4	TDJ-A2070-04	
④	Shunt terminal <input type="checkbox"/>	1	Brass, t0.4	TDJ-A2070-03	Silver plating
③	Tip spring <input checked="" type="checkbox"/>	1	Phosphor bronze, t0.3	TDJ-A2070-02	Silver plating
②	Center pin <input type="checkbox"/>	1	Zinc alloy	TDJ-A2070-99G/H/J	Nickel plating
①	Housing	1	PA9T,PA10T UL94V-0	TDJ-A207A-S1	Black

TACLEX TACLEX ELECTRONICS CO., LTD.

TOLERANCES UNLESS OTHERWISE SPECIFIED LINEAR: ±0.30 ANGULAR: ±3°		SIGNATURES	DATE	TITLE
DRAWN	Amy		2010.03.27	DC POWER JACK
CHK'D	Alex		2010.03.27	NO.
APPV'D	Rex		2010.03.27	TDJ-A207A

SYM	DISCIPTION	DATE	APPROVED
△			
△			
△			
△			
△			