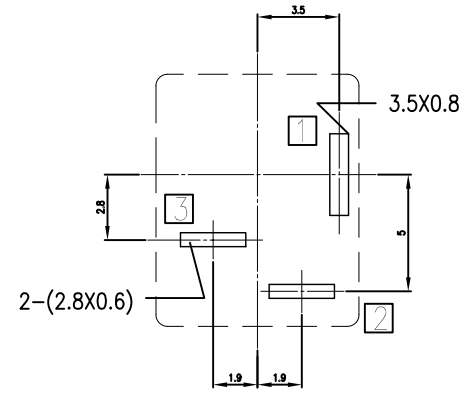
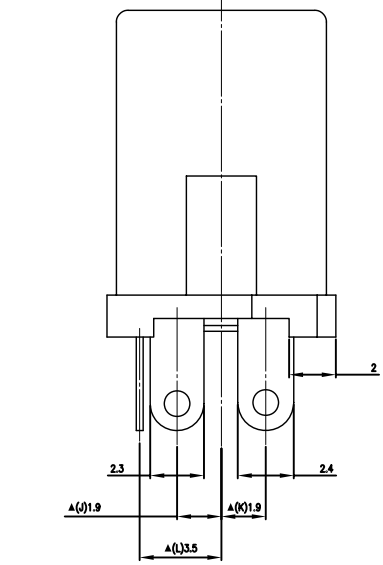


Ordering information:

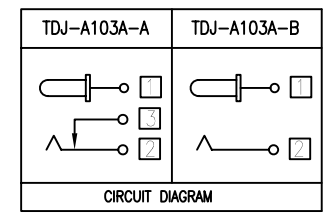
- TDJ-A103A - □ □ PB 0A S 0 4  
 (1) (2) (3) (4) (5) (6) (7) (8) (9)
- (1):Series type:DC=DC POWER JACK  
 (2):Series No.  
 (3):Schematic option: A , B  
 (4):Center pin diameter:  
 H=Ø2.0 , I=Ø2.35 , J=Ø2.5  
 (5):Material of housing:  
 PB=PBT (Standard)  
 (6):Housing color:  
 0A=Black  
 (7):Terminal plating:  
 S=Silver (Ag)  
 (8):Special option:  
 0=No special option  
 (9):Packing mode:  
 4=Bag packing

Zero



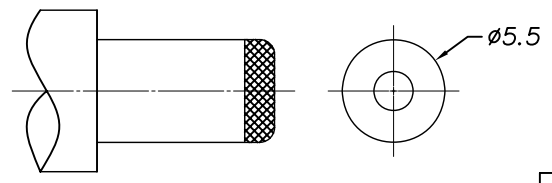
P.C.B Layout (Copper-sided view)

Model No.	TDJ-A103A--_H	TDJ-A103A--_I	TDJ-A103A--_J
PIN	Ø2.0	Ø2.35	Ø2.5



SPECIFICATION

- Rating : DC 20V 2.5A;
- Contact resistance: ≤50mΩ;
- Insulation resistance: ≥100MΩ (DC500V);
- Withstand voltage: 500VAC ;
- Insertion and extraction force: 3~30N;
- life test: 5,000 cycles;
- Operation temperature range:-20°C~70°C;
- Preservative temperature range:-40°C~85°C;
- Sign"▲ "is importance dimension.



DC MATE PLUG

NO.	DESCRIPTION	QTY	MATERIAL	REMARK	
⑥	Shunt terminal	3	1	Brass t=0.3	Silver plating
⑤	Tip spring	2	1	Mn steel t=0.2	Silver plating
④	Center pin terminal	1	1	Brass t=0.35	Silver plating
③	Center pin	1	1	Brass	CuSn/Nickel plating
②	Cover		1	PBT	
①	Housing		1	PBT	

**TACLEX** TACLEX ELECTRONICS CO., LTD.

TOLERANCES UNLESS OTHERWISE SPECIFIED LINEAR: ±0.30 ANGULAR: ±3°	SIGNATURES		DATE	TITLE			
	DRAWN	Amy	2009.01.21	DC POWER JACK			
	CHK'D	Alex	2009.01.21	NO.			
REVISIONS	A	SCALE	5/1	APPV'D	Rex	2009.01.21	TDJ-A103A

△			
△			
△			
△			
△			
SYM	DISCIPTION	DATE	APPROVED
1			
2			
3			