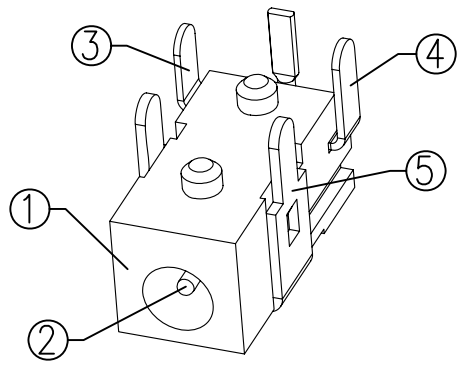
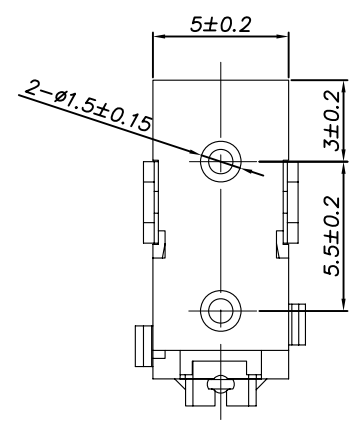
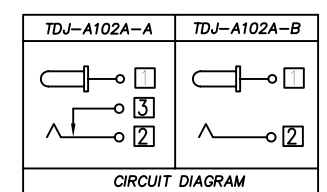


P. C. B Layout  
(Copper-sided view)



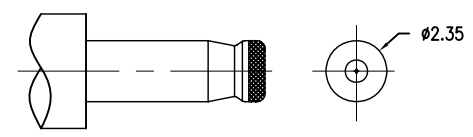
Ordering information:  
 TPJ-A102A - □ A PB QA S □ 4  
 (1) (2) (3) (4) (5) (6) (7) (8) (9)  
 (1):Series type:DC=DC POWER JACK  
 (2):Series No.  
 (3):Schematic option:  
 A , B  
 (4):Center pin diameter:  
 A=00.65  
 (5):Material of housing:  
 PB=PBT (Standard)  
 (6):Housing color:  
 0A=Black  
 (7):Terminal plating:  
 S=Silver (Ag)  
 (8):Special option:  
 B=Tip spring material is Beryllium bronze  
 M=Tip spring material is 65Mn steel  
 (9):Packing mode:  
 4=Bag packing



□ : TERMINAL NO.

SPECIFICATION

- 1.Rating : DC 30V 1A;
- 2.Contact resistance: ≤30mΩ;
- 3.Insulation resistance: ≥100MΩ (DC500V);
- 4.Withstand voltage: 500VAC ;
- 5.Insertion and extraction force: 3-30N;
- 6.life test: 5,000 cycles;
- 7.Operation temperature range:-20°C~70°C;
- 8.Preservative temperature range:-40°C~85°C;



DC MATE PLUG

⑤	Earth terminal	1	Brass t=0.4	Silver plating
④	Shunt terminal	③	Brass t=0.3	Silver plating
③	Tip spring	②	65Mn steel/Beryllium bronze t=0.25	Silver plating
②	Center pin	①	Bronze	Silver plating
①	Housing	1	PBT	
NO.	DESCRIPTION	QTY	MATERIAL	REMARK

**TACLEX** TACLEX ELECTRONICS CO., LTD.

TOLERANCES UNLESS OTHERWISE SPECIFIED LINEAR:±0.30 ANGULAR: ±3°	SIGNATURES		DATE	TITLE
	DRAWN	Amy	2007.10.06	DC POWER JACK
	CHK'D	Alex	2007.10.06	NO.
REVISIONS	SCALE	APPV'D	Rex	2007.10.06
A	5/1			TDJ-A102A

△			
△			
△			
△			
△			
SYM	DISCIPTION	DATE	APPROVED
1			
2			
3			