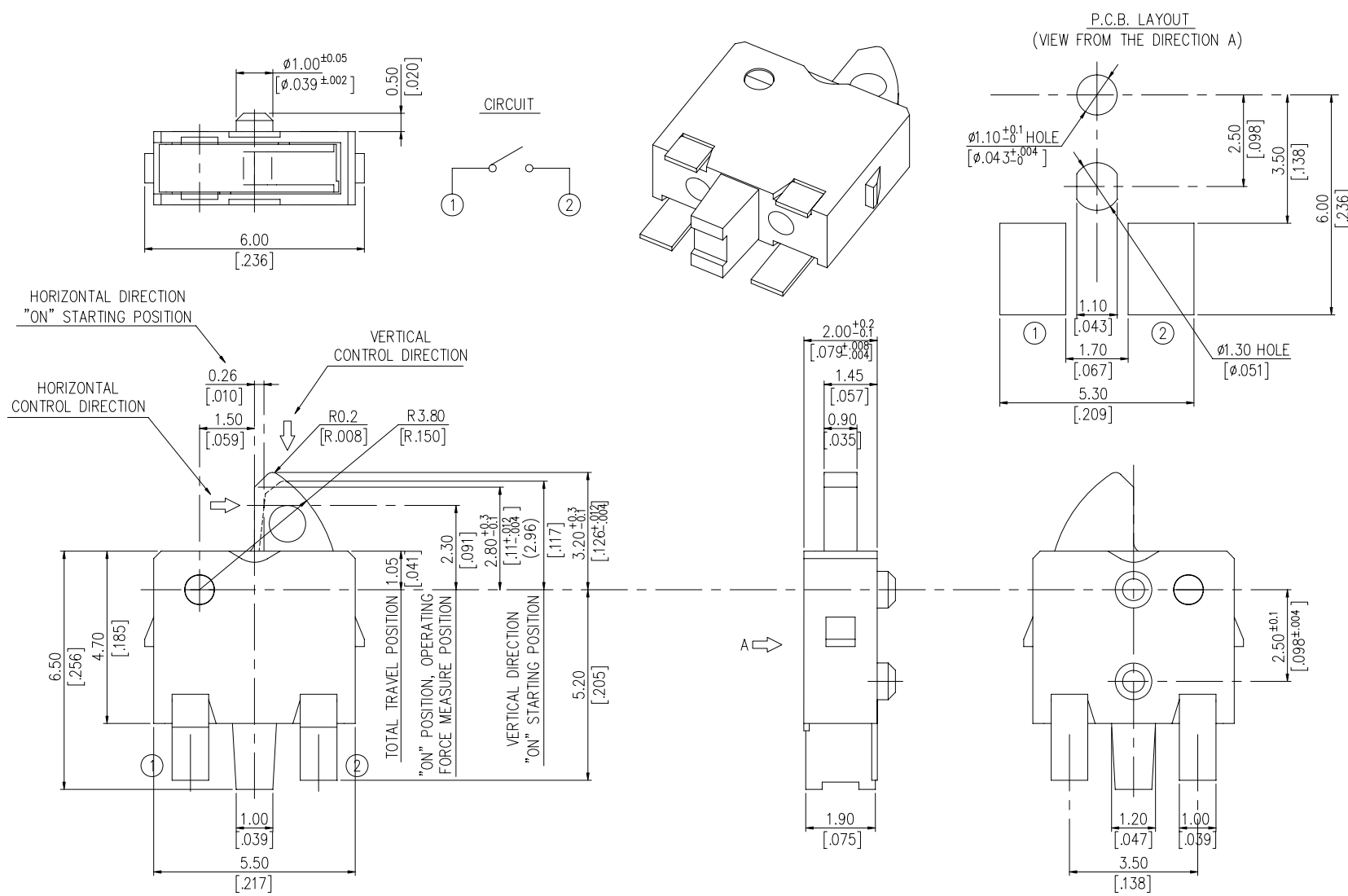


# TE-MR SERIES



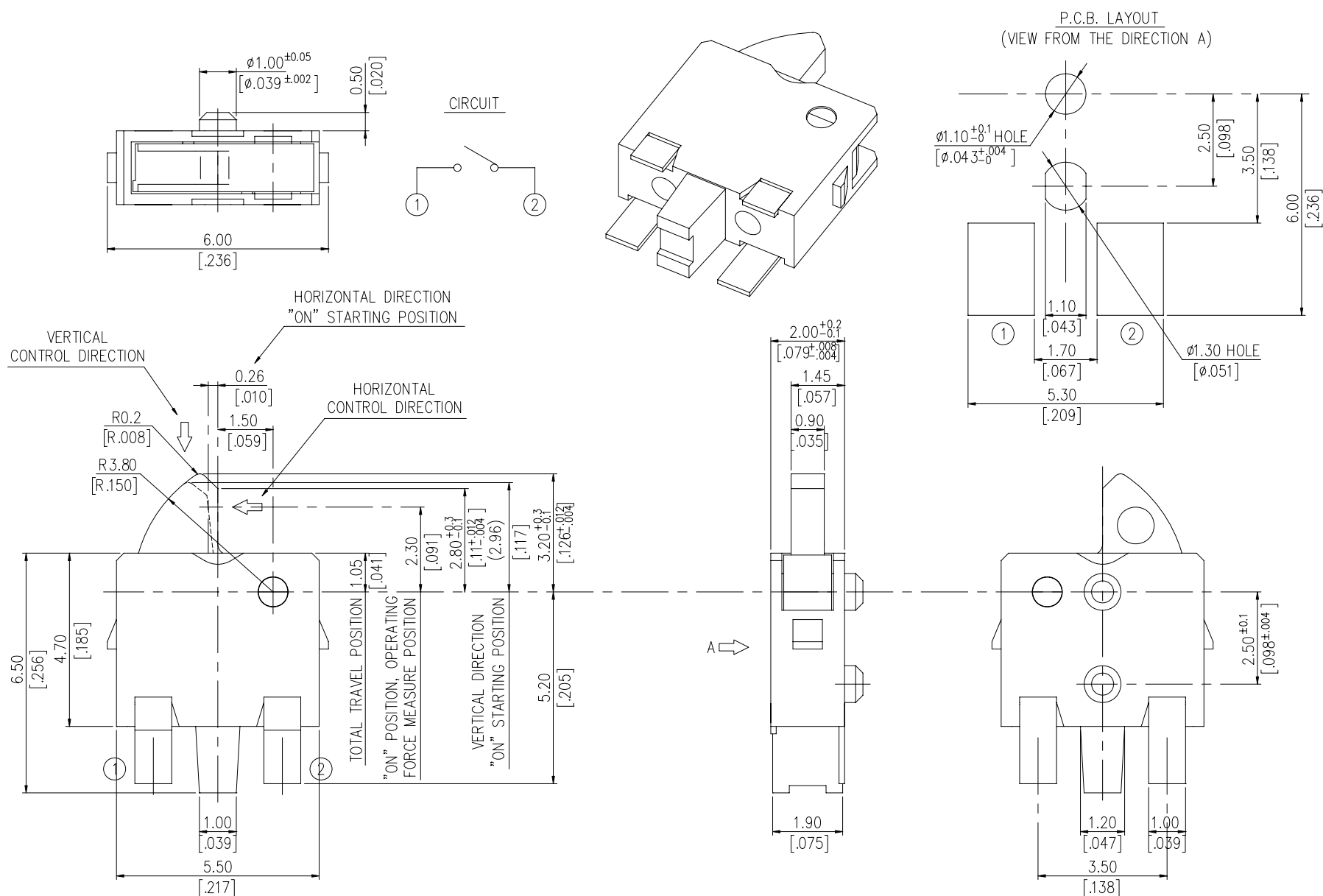
## DIMENSIONS

### TE-MRR



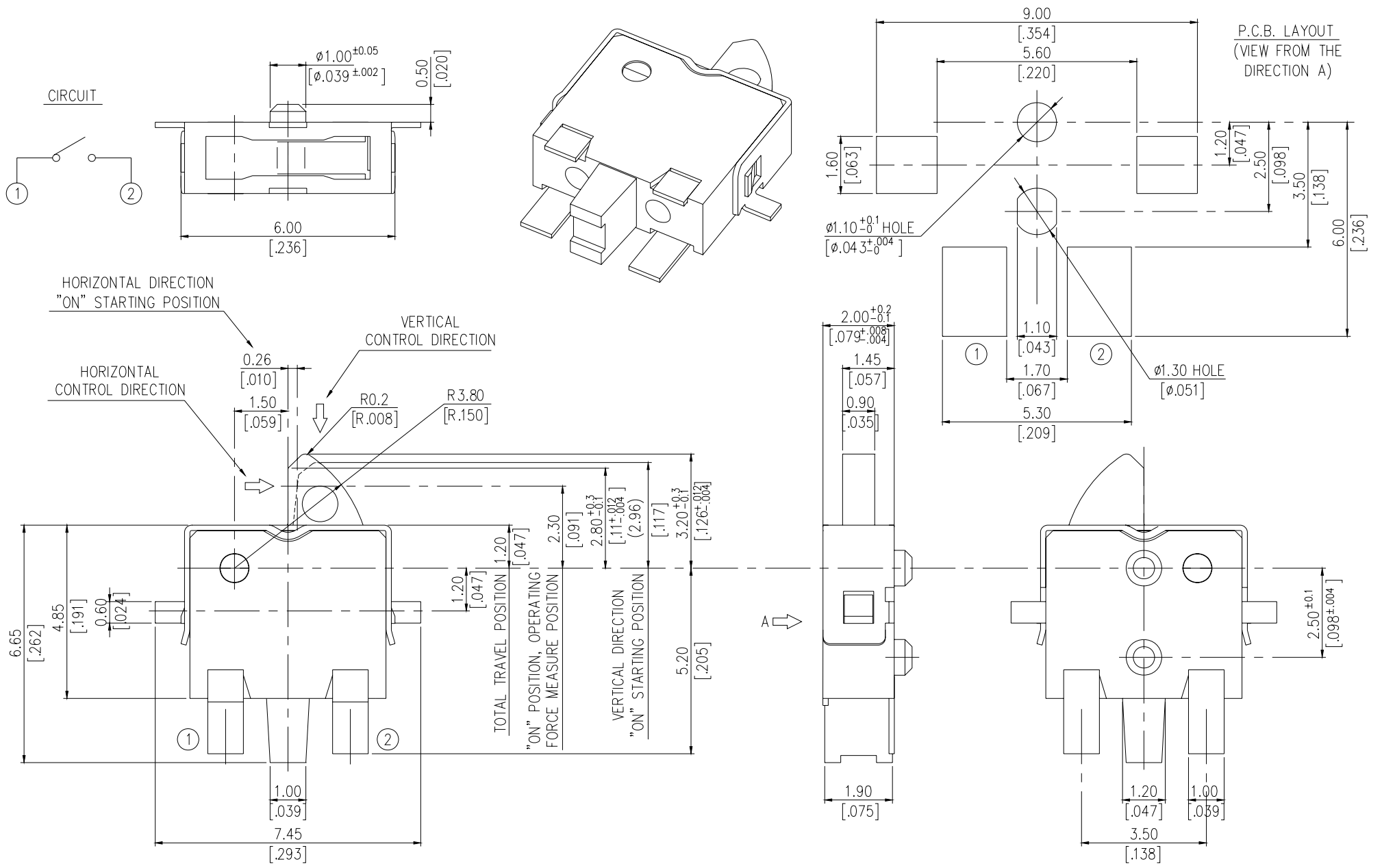
General Tolerance :  $\pm 0.2\text{mm}$

### TE-MRL



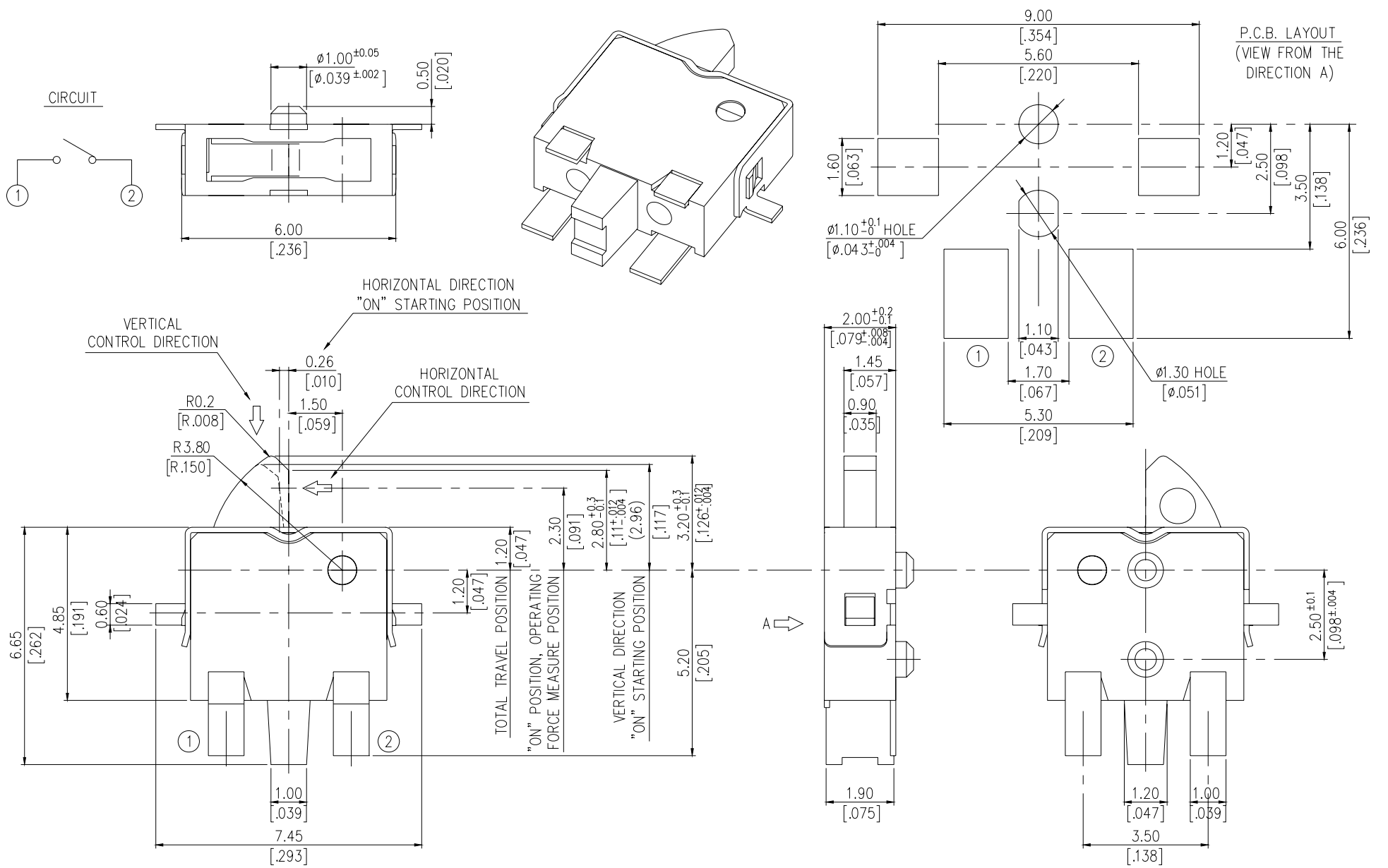
General Tolerance :  $\pm 0.20\text{mm}$

**TE-MRRC**



**General Tolerance :  $\pm 0.2\text{mm}$**

**TE-MRLC**



**General Tolerance :  $\pm 0.2\text{mm}$**

## HOW TO ORDER

TE - M R   -  -

Package :  
T/R = Tape & Reel

Soldering :  
V = Lead Free Solderable

Ground Terminal :  
 = Without Ground Terminal  
C = With Ground Terminal

Operating Direction :  
R = Right Side  
L = Left Side

Actuator Direction :  
R = Side Stem

Terminal Type :  
M = S.M.T Type

Detector Switch

## SPECIFICATION

### △MECHANICAL

Operation Force: 40gf max.

Stroke: 2.15mm max.

Operation Temperature: -10°C to +60°C

Storage Temperature: -20°C to +70°C

### △ELECTRICAL

Electrical Life: 100,000 cycles

Rating: 50mA, 20VDC

Contact Resistance: 1Ω max.

Insulation Resistance: 100MΩ min. at 100VDC

Dielectric Strength: 100VAC/1 minute

Contact Arrangement: 1pole 1throw

## MATERIAL

△COVER: Copper alloy, tin plated

△BASE: UL 94V-0 High-temp thermoplastic  
Color: Black

△STEM: UL 94V-0 High-temp thermoplastic  
Color: Black

△CONTACT DISC: Stainless with silver cladding

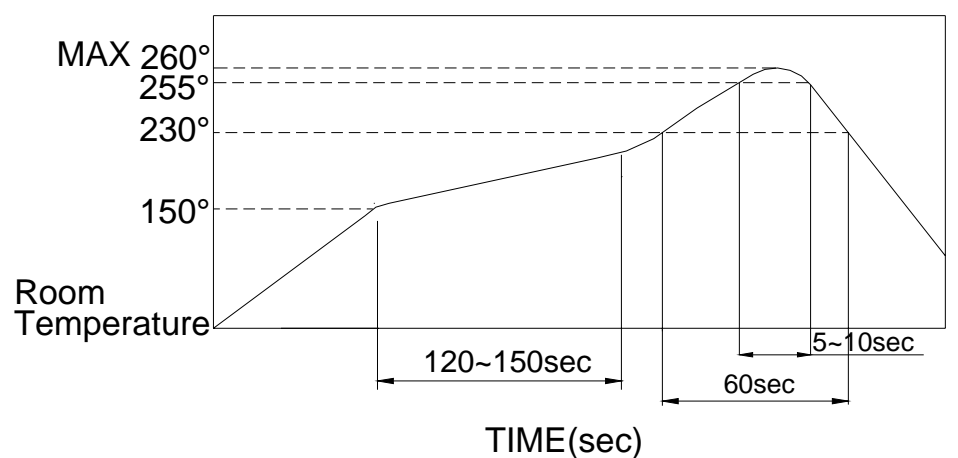
△TERMINAL: Brass with silver plated

## SOLDERING PROCESS

For best results, please follow these recommendations : △Reflow Temperature Profile:

△HAND SOLDERING : Use a soldering iron of 30 watts,  
Controlled at 608°F(320°C) approximately 2 seconds while  
applying.

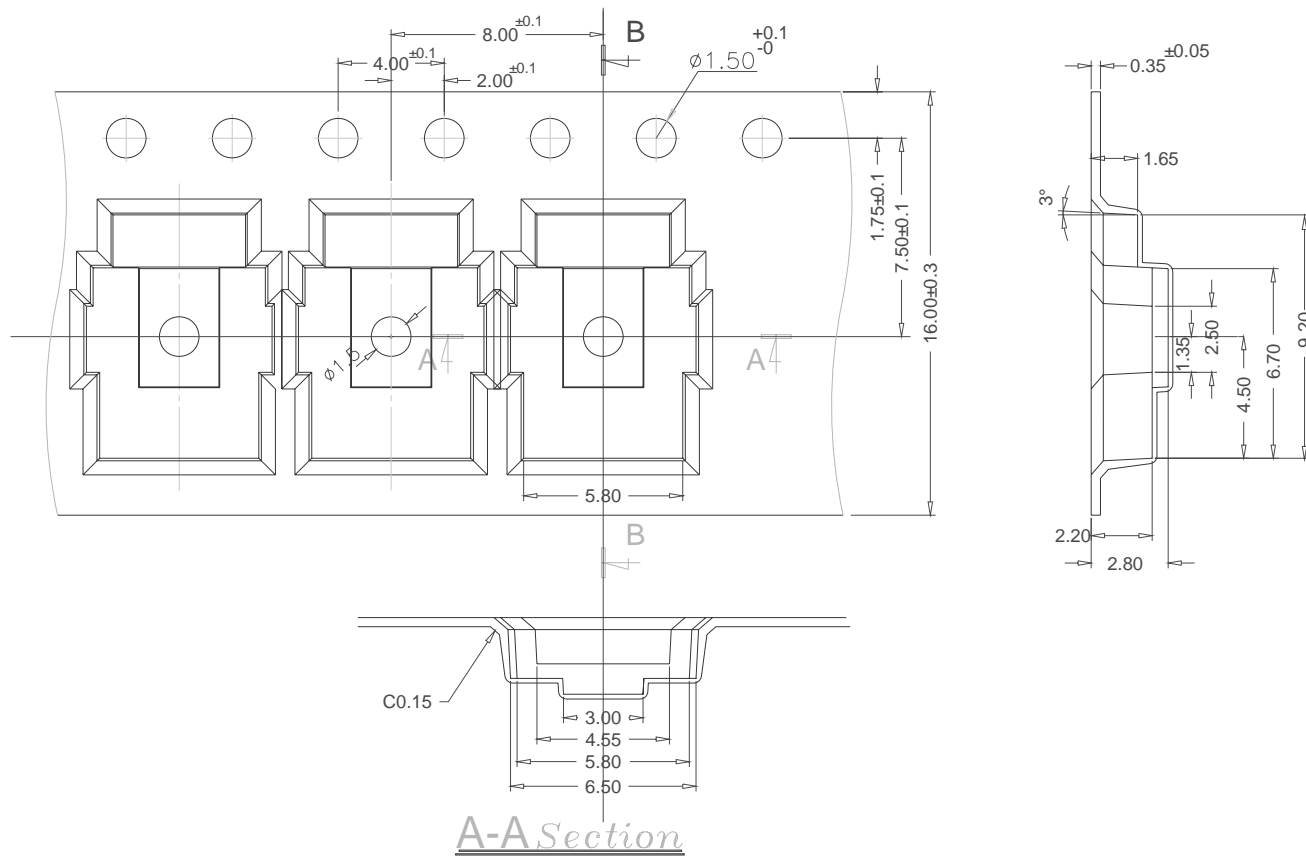
△REFLOW SOLDERING : When applying reflow soldering,  
the peak temperature or the reflow oven should be set to  
260°C max.



# PACKING

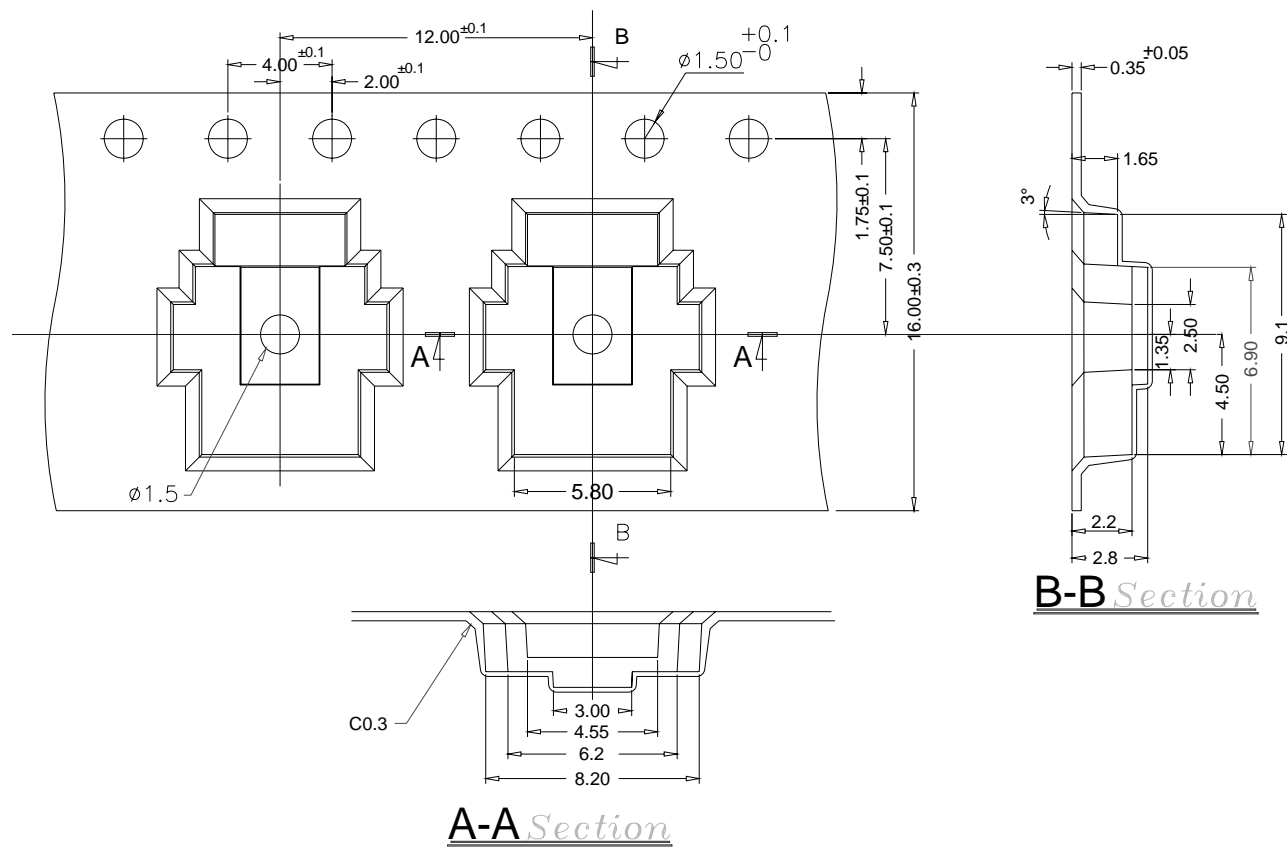
Part Number	Number Per Tube	Number Per Reel
TE-MR□		3000
TE-MR□C		2000

## TE-MR□ Reel



General Tolerance : ±0.1mm

## TE-MR□C Reel



General Tolerance : ±0.1mm