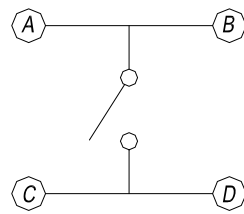
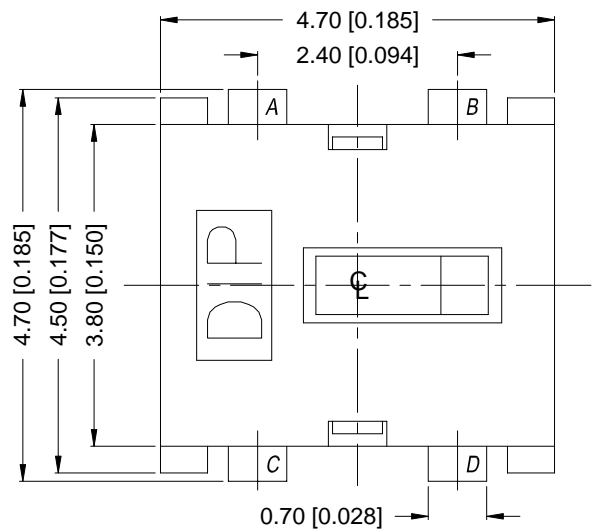


# ATE SERIES

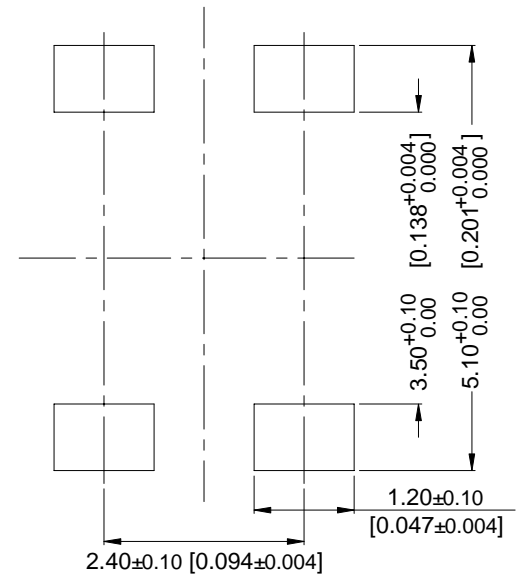


## DIMENSIONS

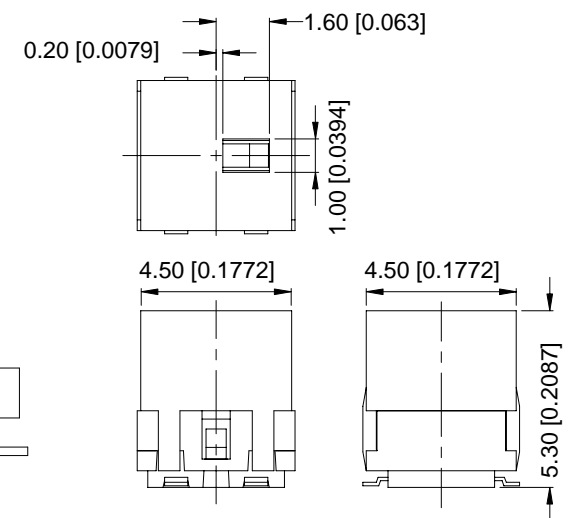
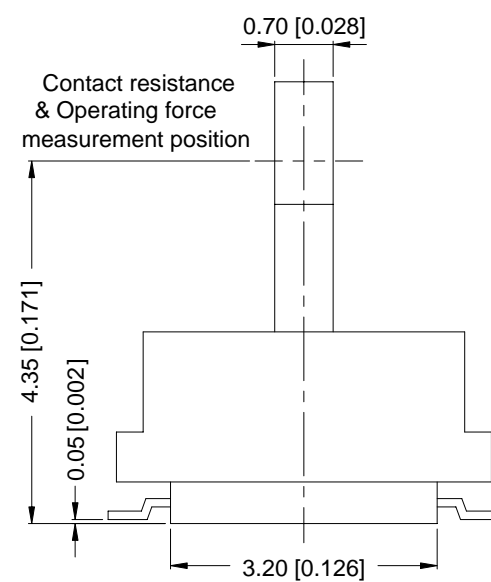
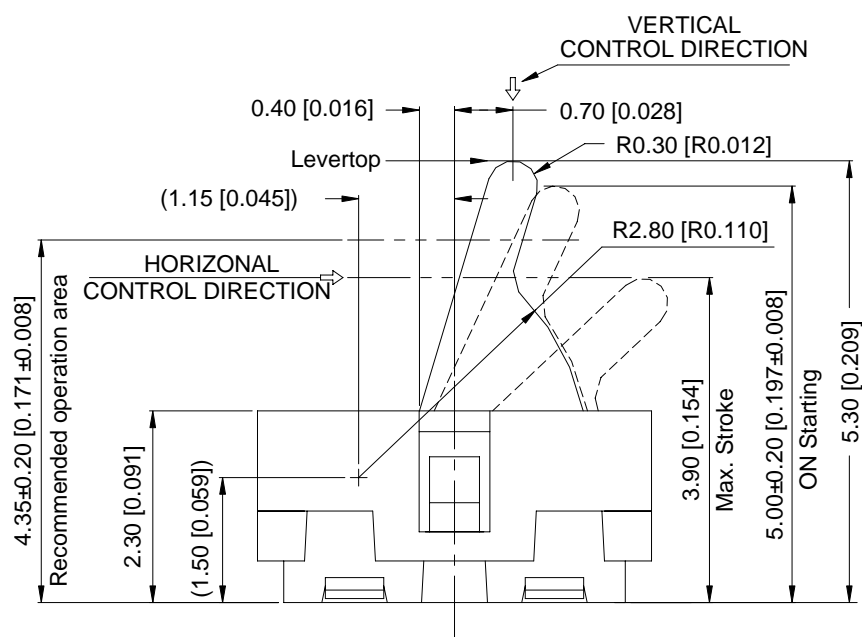
ATE-1 □



CIRCUIT DIAGRAM



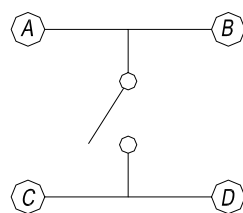
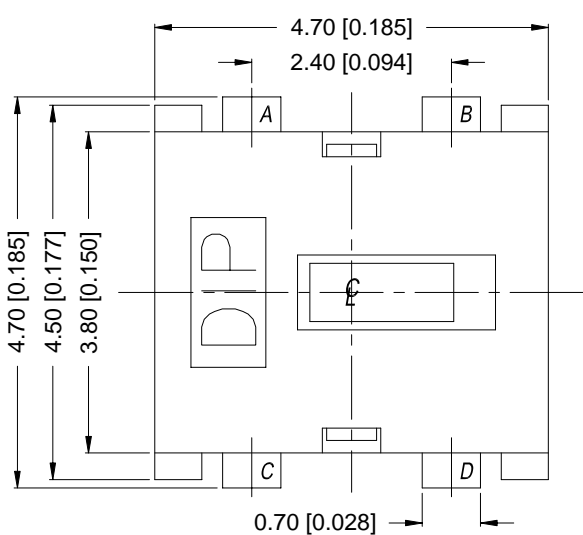
P.C.B LAYOUT



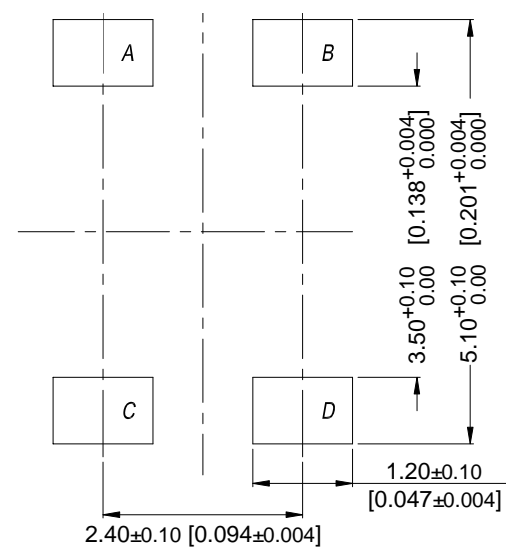
WITH DUST COVER (5/1)

General Tolerance : ±0.2mm

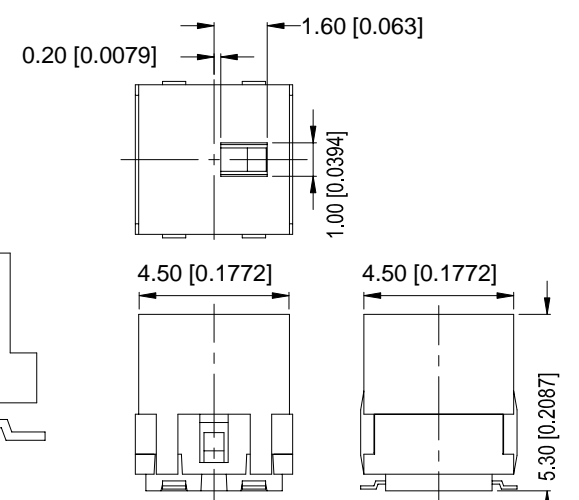
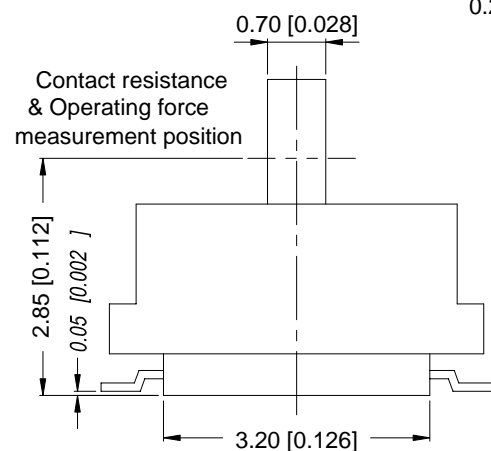
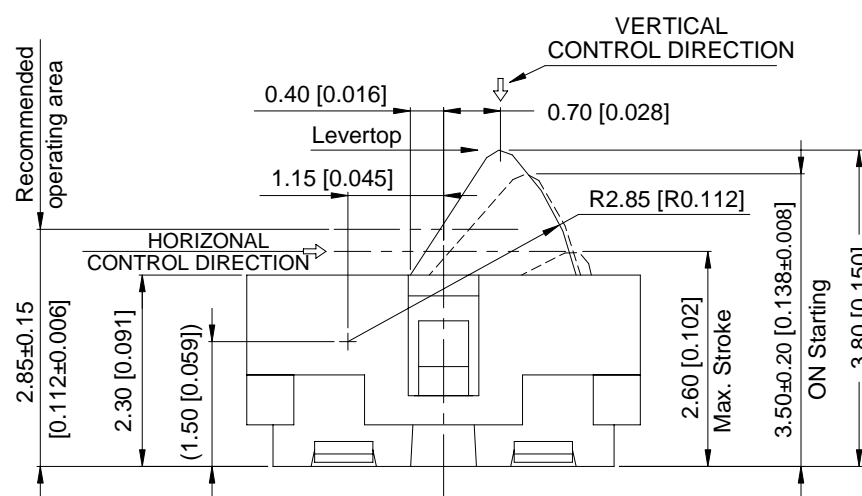
ATE-2 □



CIRCUIT DIAGRAM



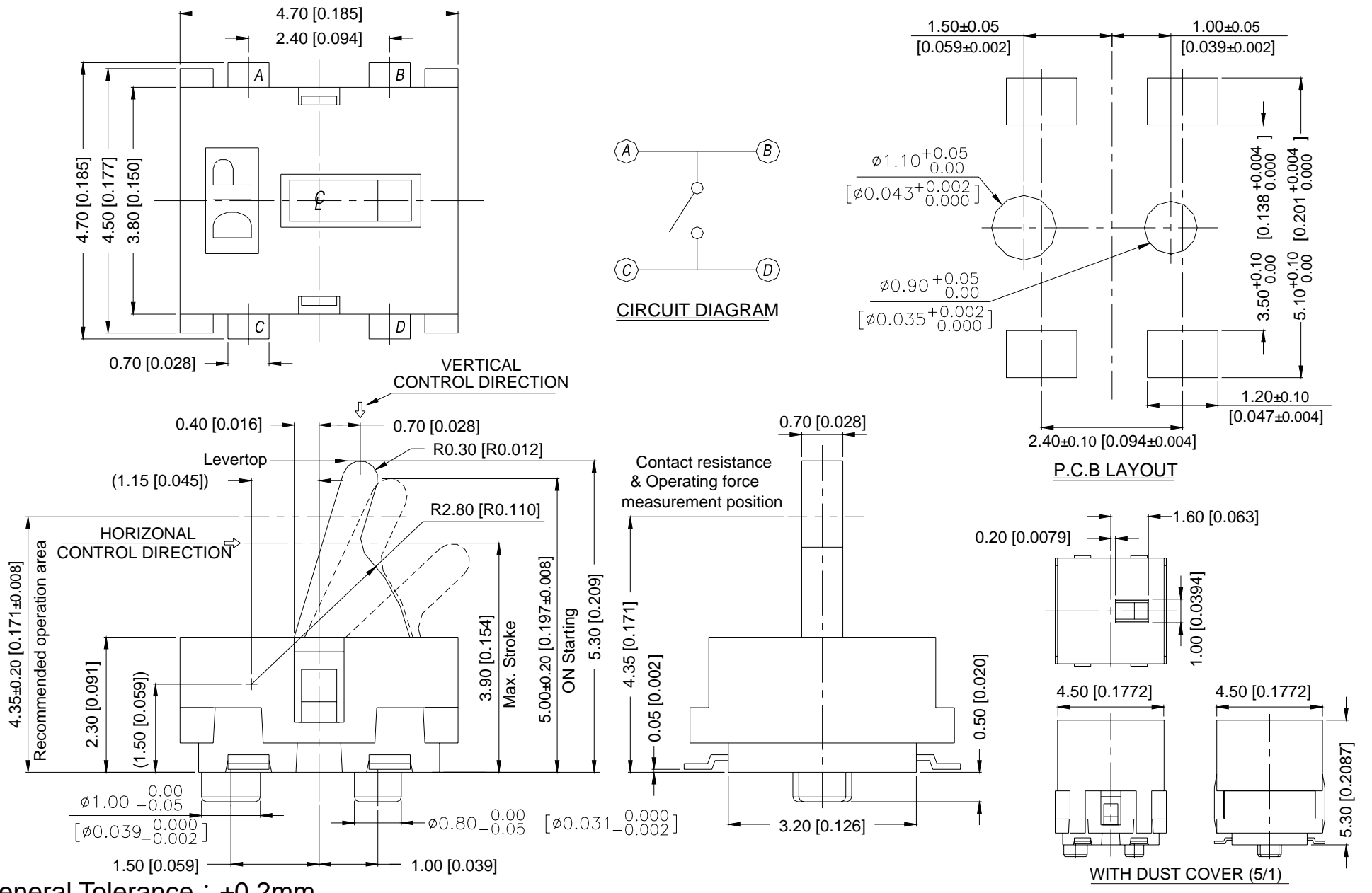
P.C.B LAYOUT



WITH DUST COVER (5/1)

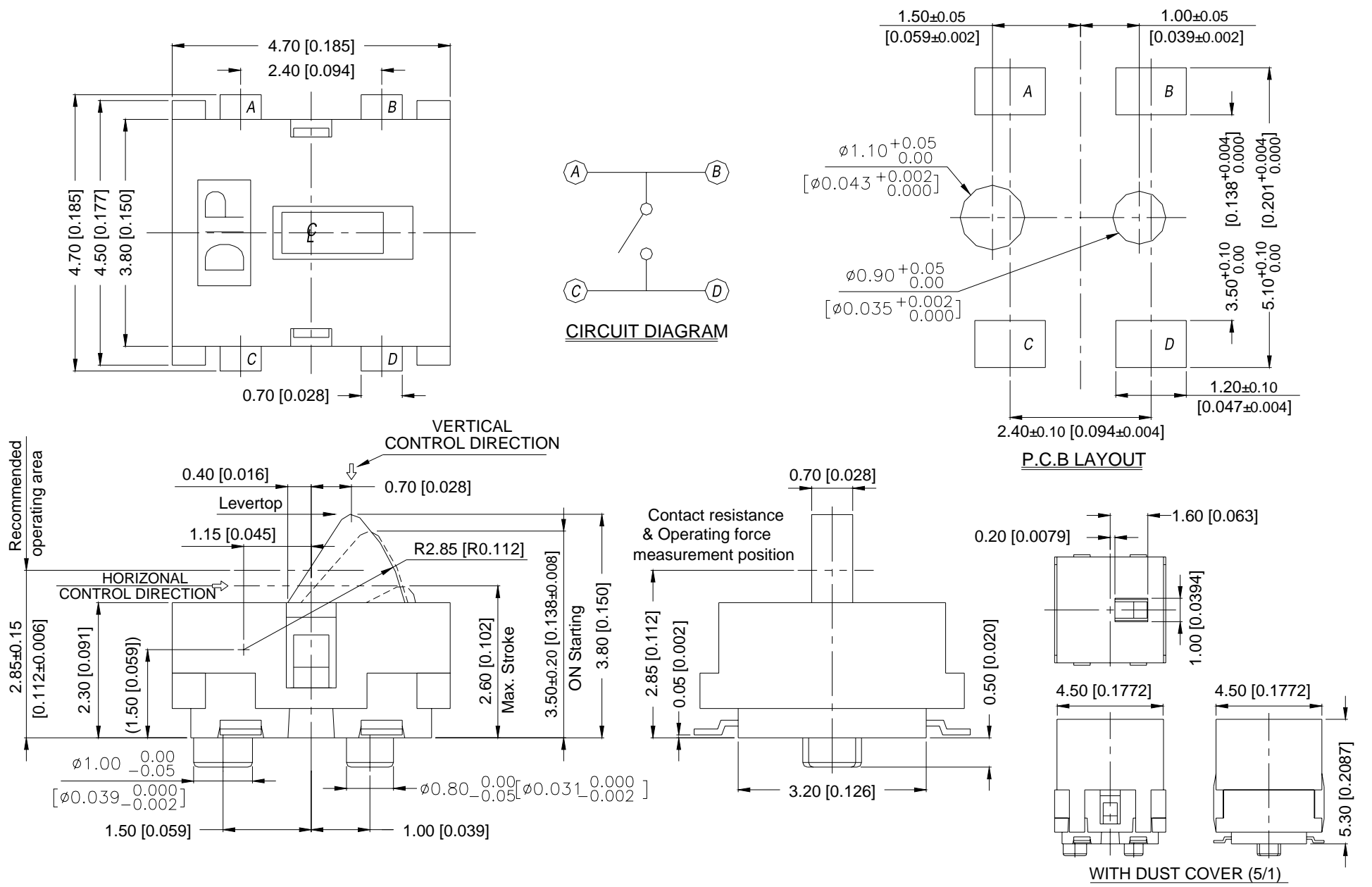
General Tolerance : ±0.2mm

**ATE-1C**



General Tolerance : ±0.2mm

**ATE-2C**



General Tolerance : ±0.2mm

## HOW TO ORDER

ATE -    - V -

Package :  
T/R=Tape & Reel  
V=Lead Free Solderable

K=With Cover  
=Without Cover  
C=With Post  
=Without Post

Stem Height :  
1=5.30 mm  
2=3.80 mm

DETECTOR SWITCH

## SPECIFICATION

### △MECHANICAL

Operation Force: 40gf max.

Stork : 3.90mm max. < Stem Height 5.30mm>

2.60mm max. < Stem Height 3.80mm>

Operation Temperature: -10°C to +60°C

Storage Temperature: -20°C to +70°C

### △ELECTRICAL

Electrical Life: 100,000 cycles

Rating:1mA , 5VDC

Contact Resistance: 1Ω max.

Insulation Resistance: 100MΩ min. 100V DC

Dielectric Strength: 100VAC / 1 minute

Rate of Operation: 20~25 operation per minute

## MATERIAL

△Cover(1) : LCP High-temp Thermoplastic.

Color : Black

△Cover(2) : LCP High-temp Thermoplastic.

Color : Black

△STEM : LCP High-temp Thermoplastic.

Color : Black

△CONTACT : Stainless with silver cladding.

△BASE : PA9T High-temp Thermoplastic

Color : Black

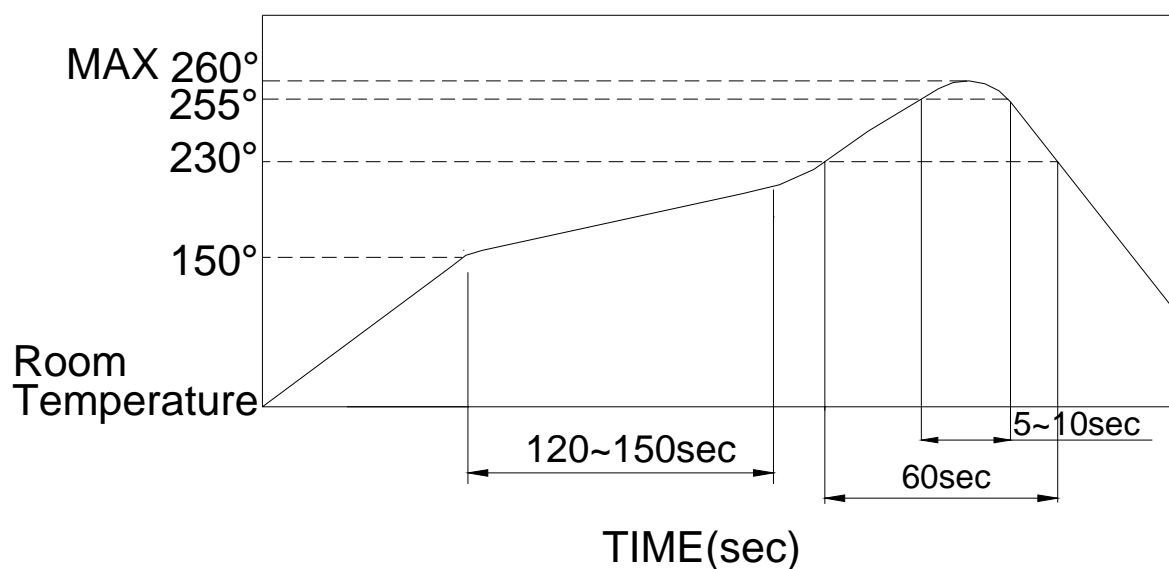
△TERMINAL : Brass, Silver Plating.

## SOLDERING PROCESS

△HAND SOLDERING: Use a soldering iron of 30 watts, controlled at 350°C approximately Max 5 seconds while applying.

△REFLOW SOLDERING : When applying reflow soldering, the peak temperature or the reflow oven should be set to 260°C max.

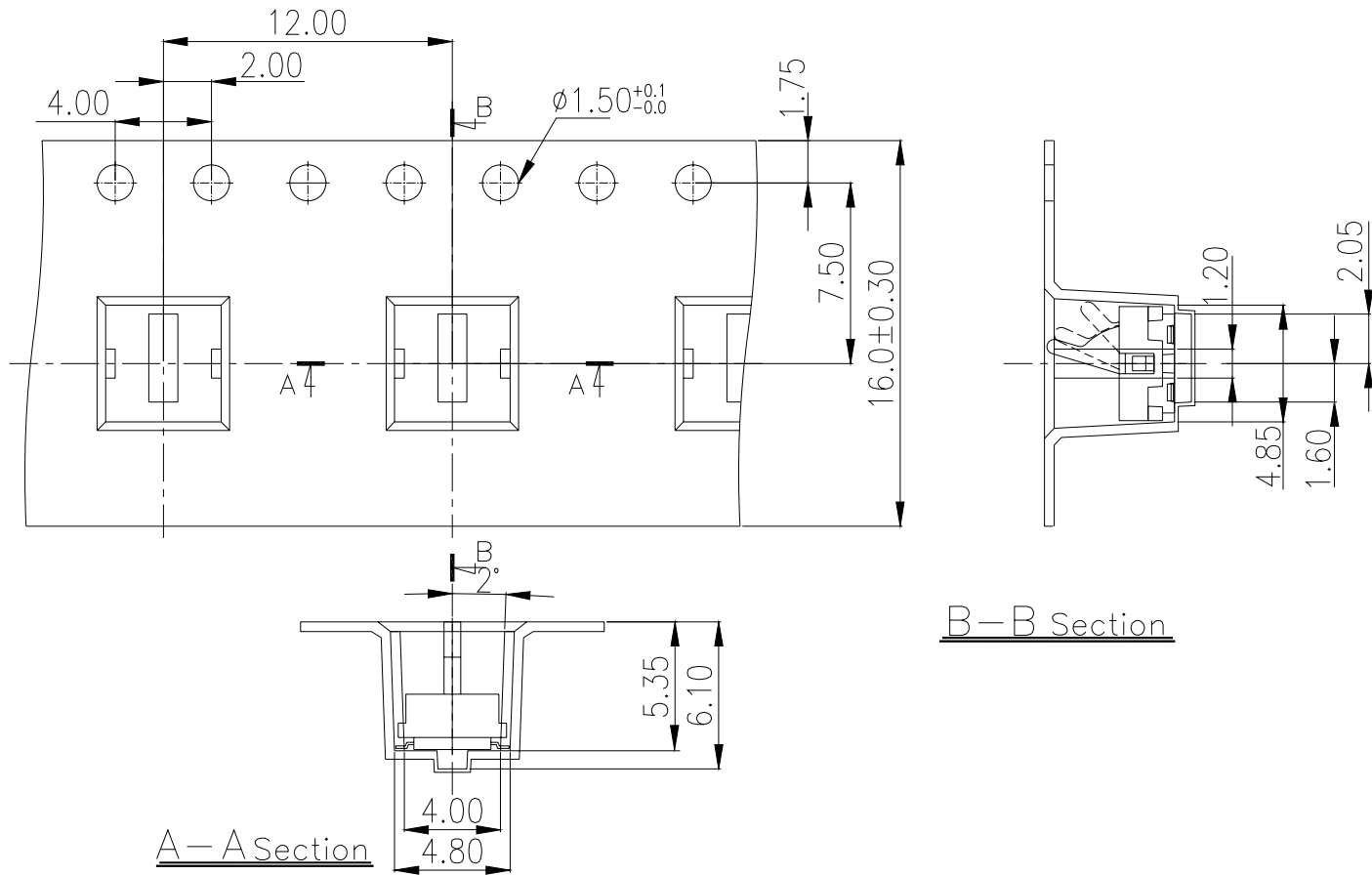
△Temperature Profile :



# PACKING

Part Number	Number Per Reel
ATE-1□□-T/R	900
ATE-2K-T/R	900
ATE-2CK-T/R	900
ATE-2-T/R	1200
ATE-2C-T/R	1200

## ATE-1 REEL

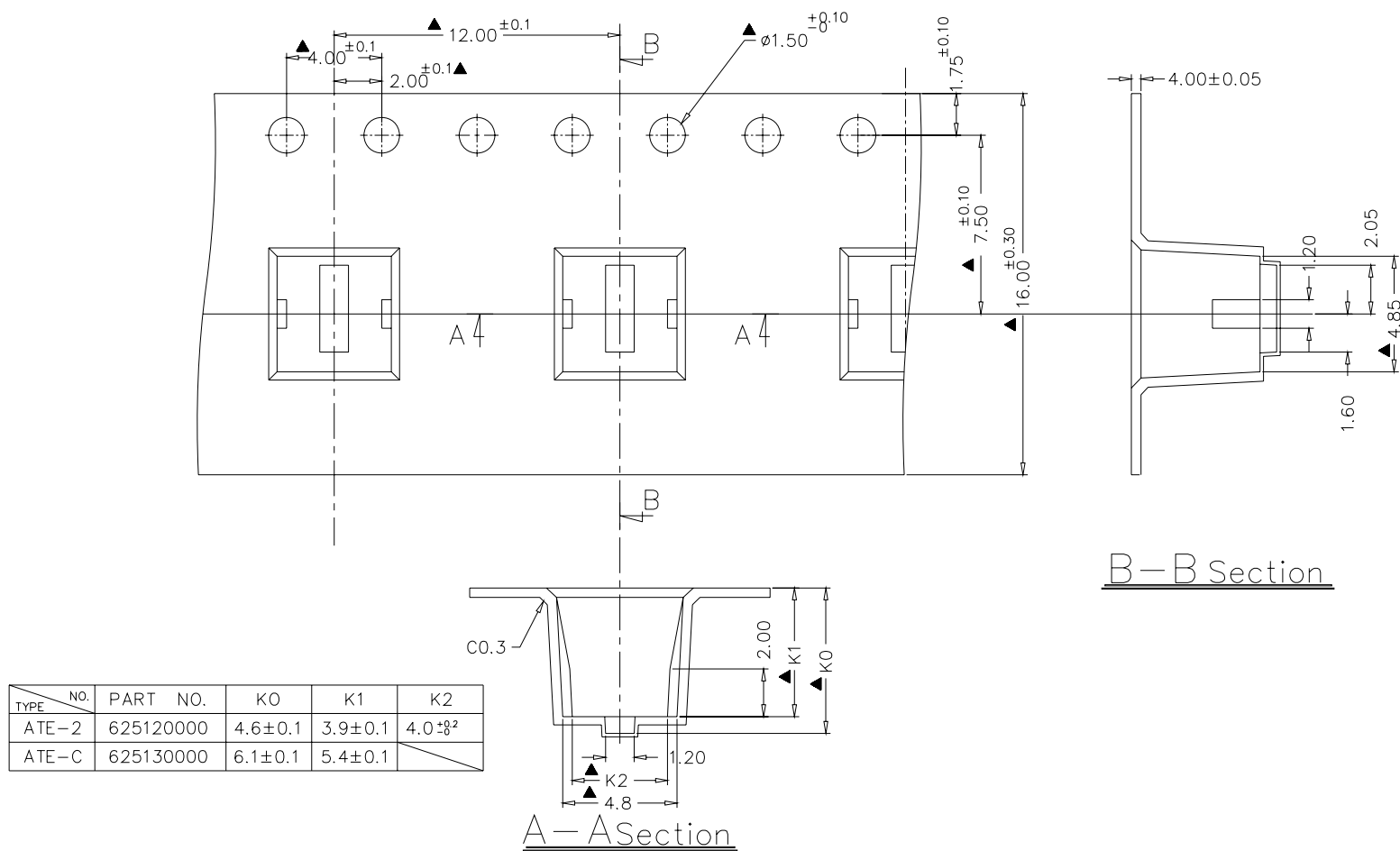


B-B Section

A-A Section

General Tolerance :  $\pm 0.1$ mm

## ATE-2、C



B-B Section

A-A Section

General Tolerance :  $\pm 0.1$ mm