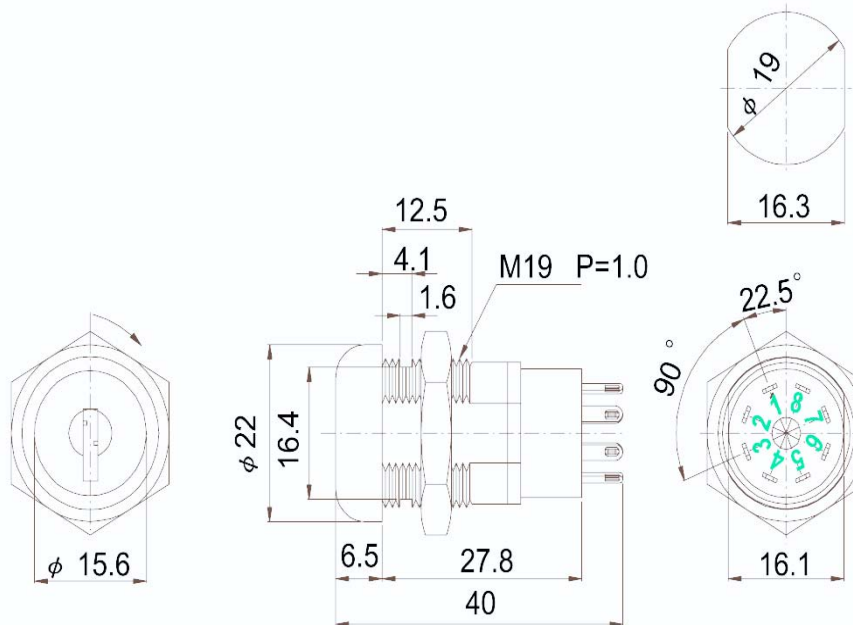

FULL SIZE LARGE FLAT SWITCH LOCK

Unit: mm

Recommended hole size

**DESCRIPTION:**

- Zinc alloy die cast housing and cylinder.
- Bright nickel plated standard.
- 4 disc tumbler mechanism.
- Brass keys, nickel plated.
- Key may be withdrawn in one or both or three positions
- Golden plated contacts and terminals.
- Hex nut or speed clip mounted.
- All keyed alike or 20 combinations standard.
- 20 combinations available.

SPECIFICATIONS:

- Contact Rating: 4A 125VAC, 2A 250VAC.
 - Contact Resistance: 10Milli-Ohms Max.
 - Insulation Resistance: 500 Meg-Ohms Min. (500VDC)
 - Dielectric Strength: 1500 VAC -1 Minute.
-