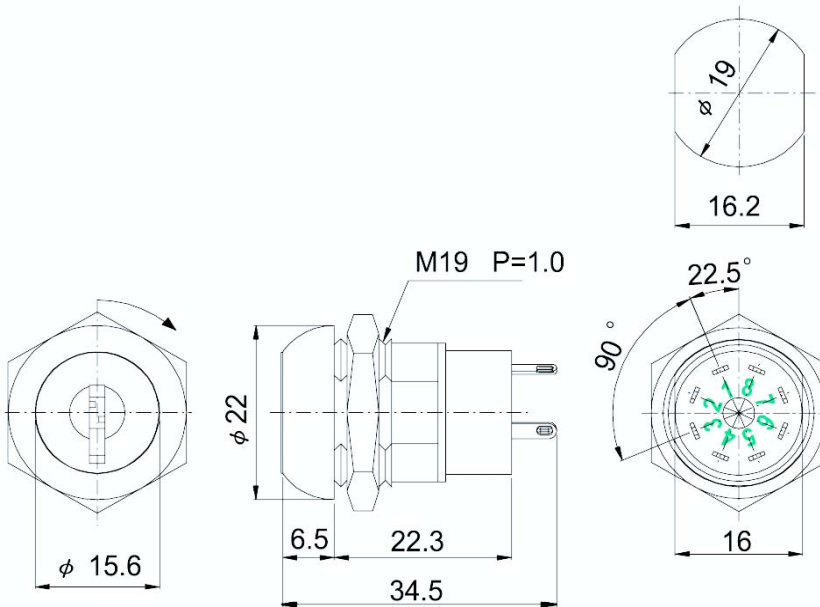


## S216

### FULL SIZE LARGE FLAT SWITCH LOCK

Unit: mm

Recommended hole size



#### DESCRIPTION:

- Zinc alloy die cast housing and cylinder.
- Bright nickel plated standard.
- 4 disc tumbler mechanism.
- Brass keys, nickel plated.
- Various key withdrawals available.
- Golden plated contacts and terminals.
- Hex nut or speed clip mounted.
- All keyed alike or 20 combinations standard.
- 20 combinations available.

#### SPECIFICATIONS:

- Contact Rating: 4A 125VAC, 2A 250VAC.
- Contact Resistance: 10Milli-Ohms Max.
- Insulation Resistance: 500 Meg-Ohms Min. (500VDC)
- Dielectric Strength: 1500 VAC -1 Minute.