

Feature -

Design for Digital Camera  
10 mode Function

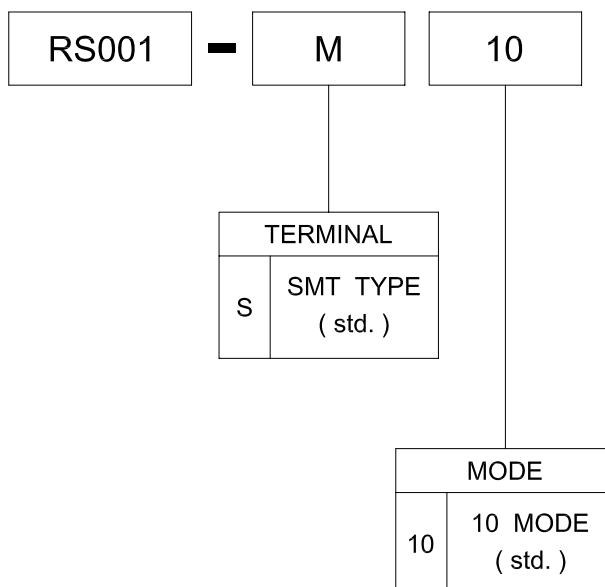
Applications -

Shutter of still cameras  
and video cameras

### ► SPECIFICATIONS

SWITCH SPECIFICATIONS	
POLE - POSITION	SMT TYPE , 10 MODE
CONTACT RATING	12 V DC , 50 mA
CONTACT RESISTANCE	200 mΩ max. 5 V DC ; 1 A , by Method of Voltage DROP
INSULATION RESISTANCE	100 MΩ min. 500 V DC for 1 minute
DIELECTRIC STRENGTH	Breakdown is not Allowable ; 100 V AC for 1 Minute
OPERATING FORCE	50 gf.cm max.
OPERATING LIFE	50,000 cycles
OPERATING TEMPERATURE RANGE	-20°C ~ 70°C

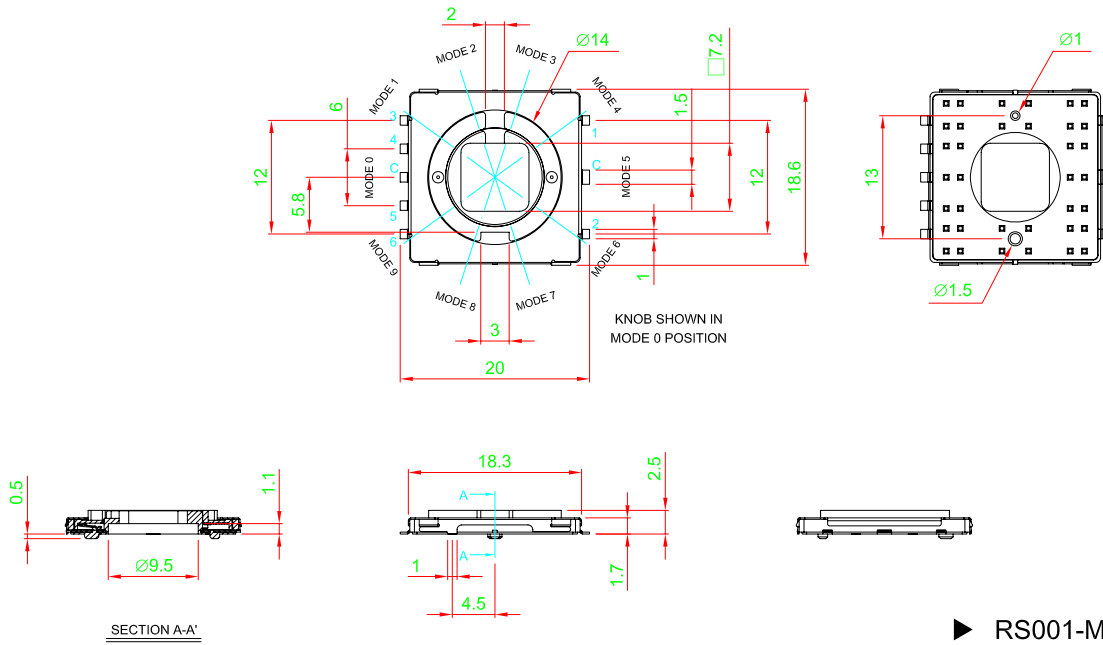
### ► HOW TO ORDER



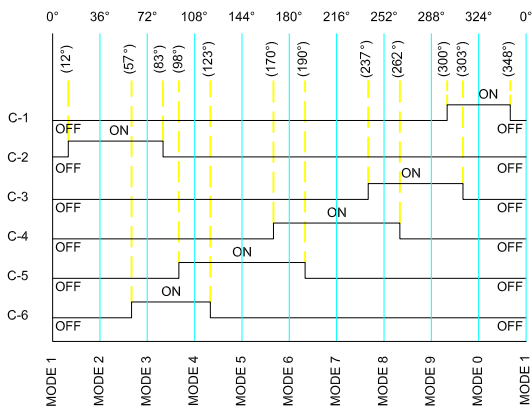
# RS001 SERIES

## ROTARY SWITCH

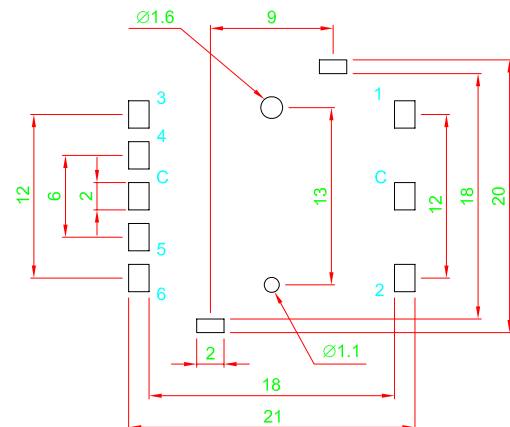
### ► DIMENSION



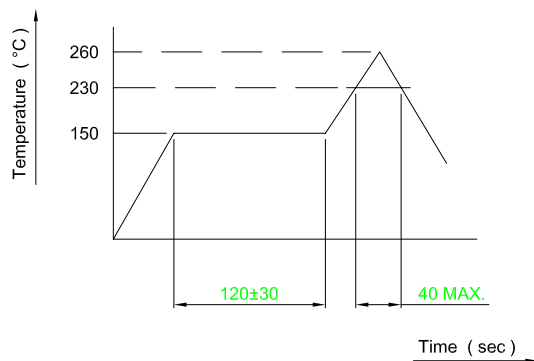
### ► CIRCUIT DIAGRAM



### ► P.C.B. LAYOUT



### ► REFLOW SOLDERING



### ► MATERIAL

- COVER - NS2(C7521R-H)
- ROTOR - LCP + GF
- FRAME - LCP + GF
- TERMINAL - BRASS SILVER PLATING

### ► PACKAGING

- TAPE & REEL - 780 pcs / reel

### ► UNIT WEIGHT

- RS001 - 1.1 ± 0.05 g / pcs