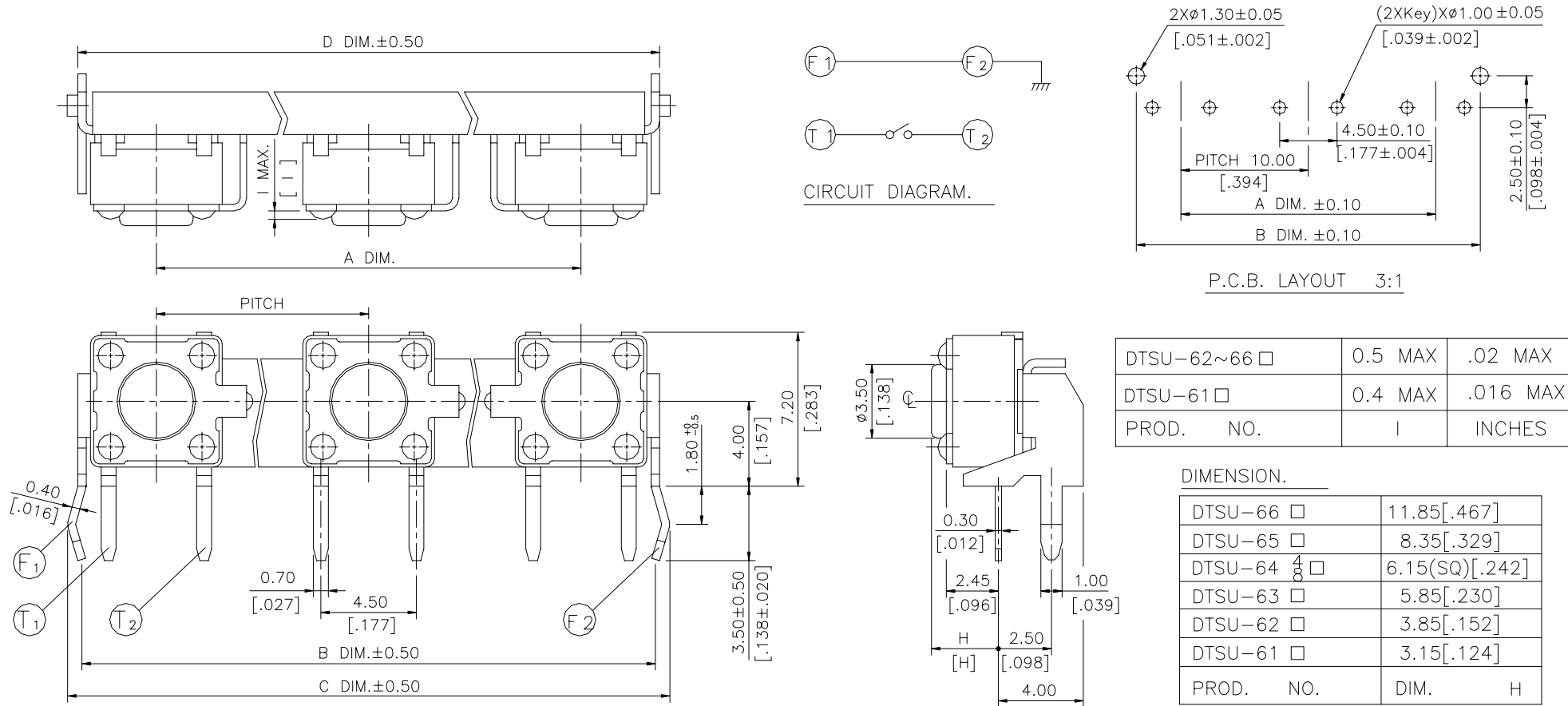


DTSU-6 SERIES



DIMENSIONS

DTSU-6



MODELS

Prod. NO.	Kind of pitch	Q'TY of Keys	A DIM	B DIM	C DIM	D DIM
DTSU-6-1	10	2	10	17	18.7	17.4
		3	20	27	28.7	27.4
		4	30	37	38.7	37.4
		5	40	47	48.7	47.4
		6	50	57	58.7	57.4
		7	60	67	68.7	67.4
		DTSU-6-5	14	2	14	22
3	28			36	37.5	36.4
4	42			50	51.5	50.4
5	56			64	65.5	64.4
6	70			78	79.5	78.4
7	84			92	93.5	92.4
DTSU-6-2	15			2	15	22
		3	30	37	38.7	37.4
		4	45	52	53.7	52.4
		5	60	67	68.7	67.4
		6	75	82	83.7	82.4
		7	100	97	98.7	97.4
		DTSU-6-3	18	2	18	25
3	36			43	44.7	43.4
4	54			61	62.7	61.4
5	72			79	80.7	79.4
6	90			97	98.7	97.4
7	108			115	116.7	115.4
DTSU-6-4	20			2	20	27
		3	40	47	48.7	47.4
		4	60	67	68.7	67.4
		5	80	87	88.7	87.4
		6	100	107	108.7	107.4
		7	120	127	128.7	127.4

General Tolerance : ±0.2mm

HOW TO ORDER

DTSU - 6 □ □ □ - □ □ - □ - □

Soldeing
V=Lead Free Solderable

□=Phosphor bronze Dome
S=Stainless Steel Dome

QTY Of Keys:

0 = 2 Keys
1 = 3 Keys
2 = 4 Keys
3 = 6 Keys
4 = 7 Keys
5 = 5 Keys

Pitch:

1 = 10mm
2 = 15mm
3 = 18mm
4 = 20mm
5 = 14mm

Color of Stem For Operating Force:

K = Black, 100gf
N = Brown, 160gf
R = Red, 260gf
S = Salmon, 320gf
Y = Yellow, 520gf

Dimension:

1 = 3.15mm
2 = 3.85mm
3 = 5.85mm
44 = 6.15mm (SQ.) x 2.4mm
48 = 6.15mm (SQ.) x 2.8mm
5 = 8.35mm
6 = 11.85mm

Multiple Type Tactile Switch

SPECIFICATION

△MECHANICAL

520 ± 130gf Yellow (Y)
320 ± 80gf Salmon (S)
Operation Force: 260 ± 50gf Red (R)
160 ± 50gf Brown (N)
100 ± 50gf Black (K)

Stop Strength: Max. 3kgf vertical static load continuously for 15 seconds.

Stroke: (6x6) 0.25 + 0.2mm / - 0.1mm

Operation Temperature: -25°C to +70°C

Storage Temperature: -30°C to +80°C

△ELECTRICAL

Electrical Life: 300,000 cycles for 320gf, 520gf

500,000 cycles for 260gf

1,000,000 cycles for 100gf, 160gf

Rating: 50mA , 12VDC

Contact Resistance: 100mΩ max.

Insulation Resistance: 100MΩ min. at 500VDC

Dielectric Strength: 250VAC/ minute

Contact Arrangement: 1 pole 1 throw

MATERIAL

△COVER: Stainless Steel(for DTSM-6、2)
Nickel Silver (for DTSMG-6)

△BASE: UL94V-0 Nylon High-Temp. Thermoplastic
Color: Black

△STEM: UL94V-0 Nylon High-Temp. Thermoplastic
Color: Black (100gf), Brown (160gf)
Red (260gf), Salmon (320gf)
Yellow (520gf)

△CONTACT DISC: Phosphor Bronze with silver cladding
(Standard)
Stainless Steel(V option)

△TERMINAL: Brass with silver plated

SOLDERING PROCESS

△ **WAVE SOLDERING** : Recommended solder temperature at 500°F (260°C) max. 5 seconds subject to PCB 1.6 mm. thickness.

△ **HAND SOLDERING** : Use a soldering iron of 30 watts, controlled at 350°C approximately max 5 seconds while applying solder.

PACKING

Part Number	Number Per Set	
DTSU-62-10	190	
DTSU-62-11	70	
DTSU-62-12	56	
DTSU-62-13	32	
DTSU-62-14	57	
DTSU-62-15	76	
DTSU-62-20	90	
DTSU-62-21	76	
DTSU-62-22	57	
DTSU-62-23	26	
DTSU-62-31	76	
DTSU-62-32	42	
DTSU-62-33	38	
DTSU-62-42	38	
DTSU-62-52	40	