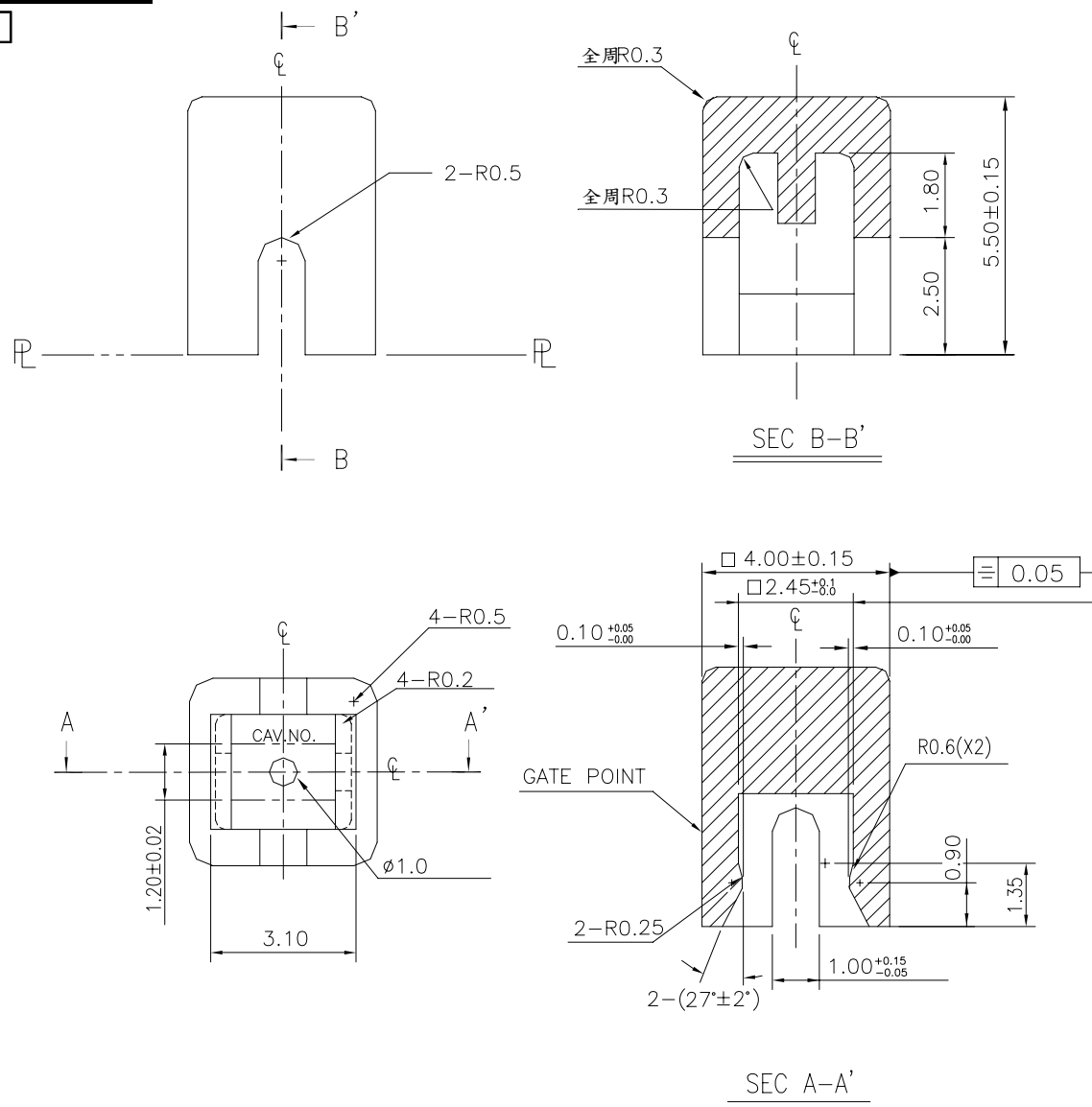


# KTSC-6(2) SERIES



## DIMENSIONS

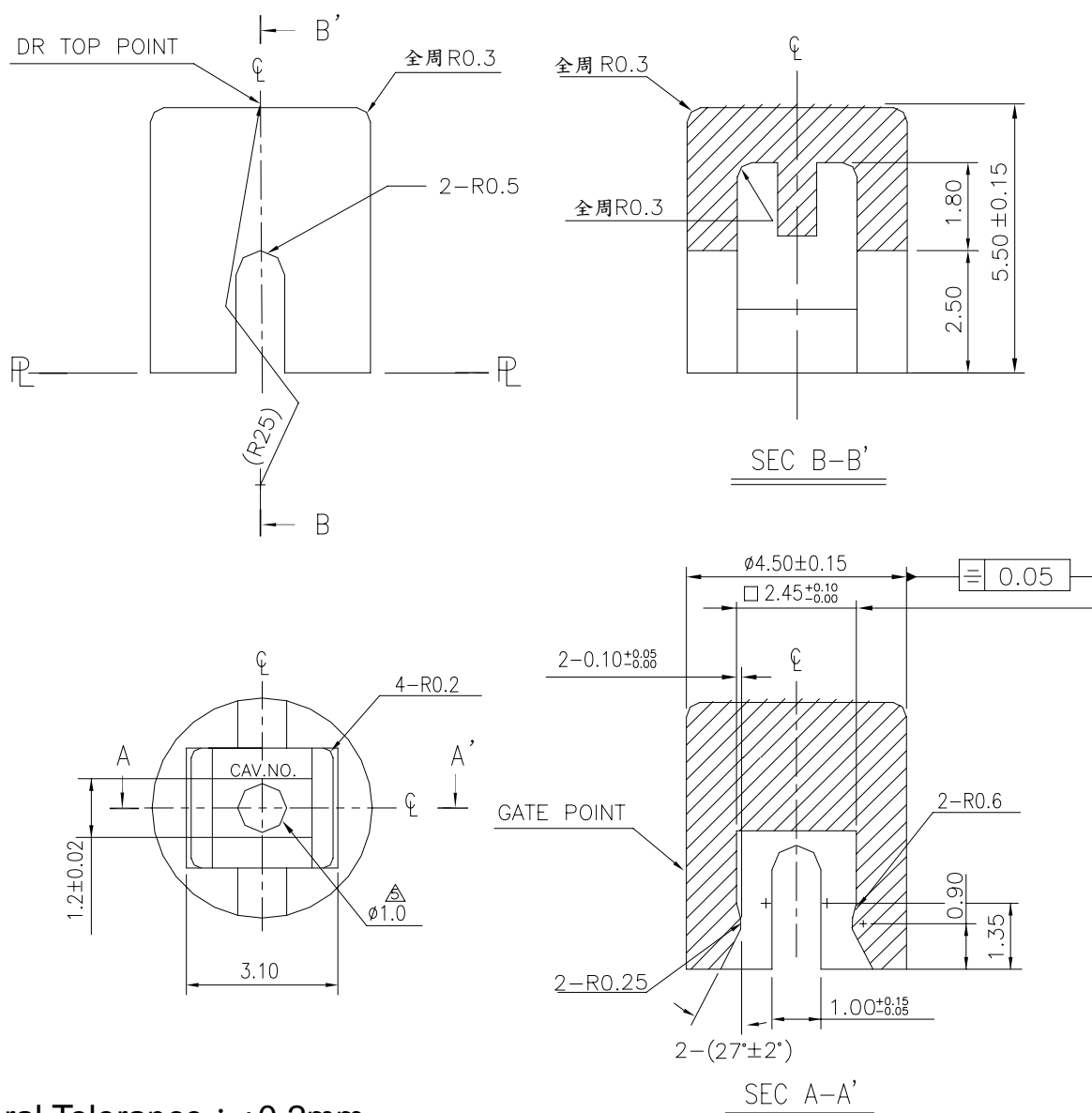
### KTSC-61



附 表 A	PART NO.	COLOR		TYPE
		Y	B	
KTSC-61		Y	黄色 (YELLOW)	方形 (SQUARE)
		B	蓝色 (BLUE)	
		R	红色 (RED)	
		I	象牙色 (IVORY)	
		K	黑色 (BLACK)	
		G	绿色 (GREEN)	
		S	橙色 (SALMON)	
		Ge	灰色 (GREY)	

General Tolerance :  $\pm 0.2\text{mm}$

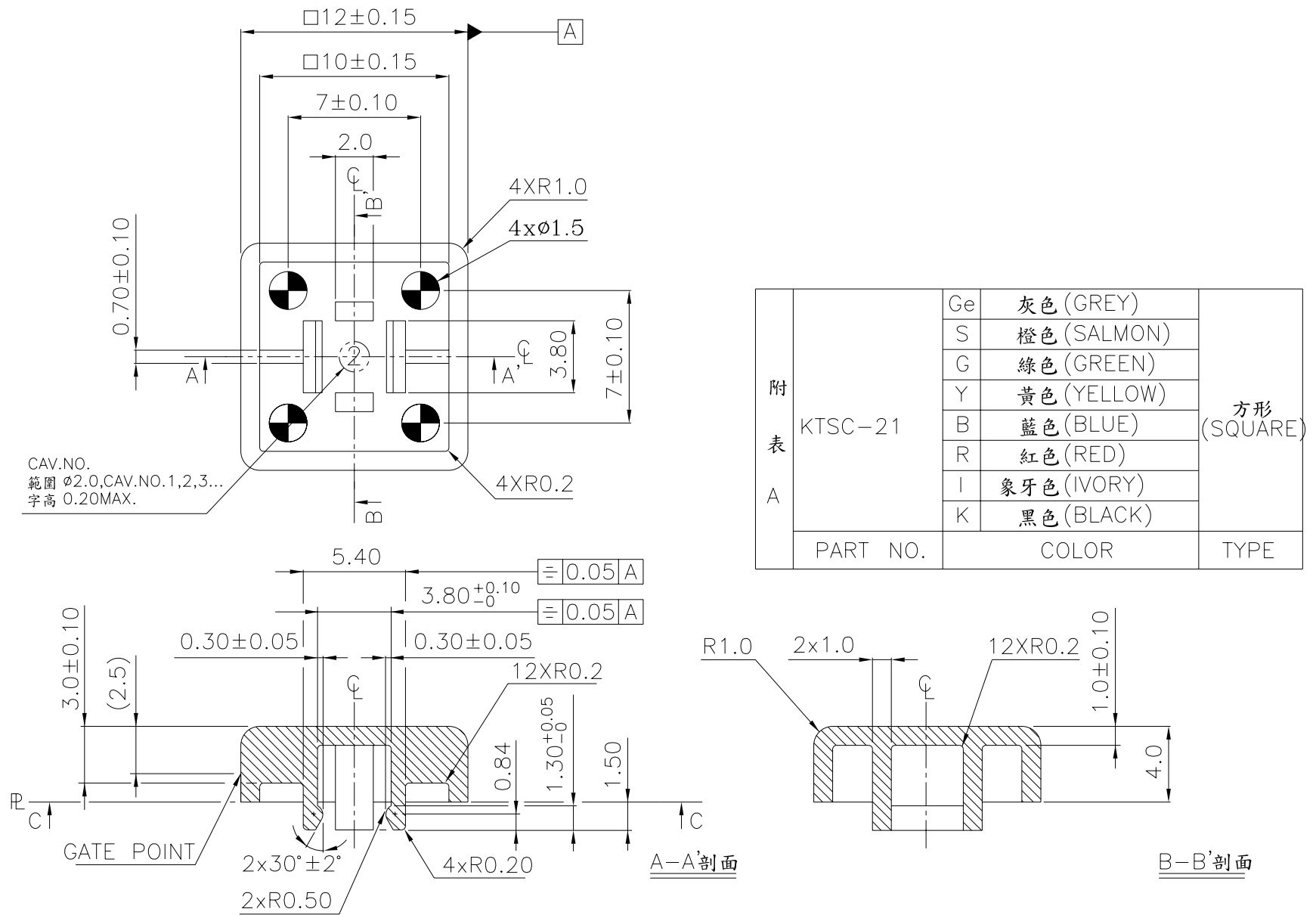
### KTSC-62



附 表 A	PART NO.	COLOR		TYPE
		Y	B	
KTSC-62		Y	黄色 (YELLOW)	圆形 (Circular)
		B	蓝色 (BLUE)	
		R	红色 (RED)	
		I	象牙白 (IVORY)	
		K	黑色 (BLACK)	
		G	绿色 (GREEN)	
		S	橙色 (SALMON)	
		Ge	灰色 (GREY)	

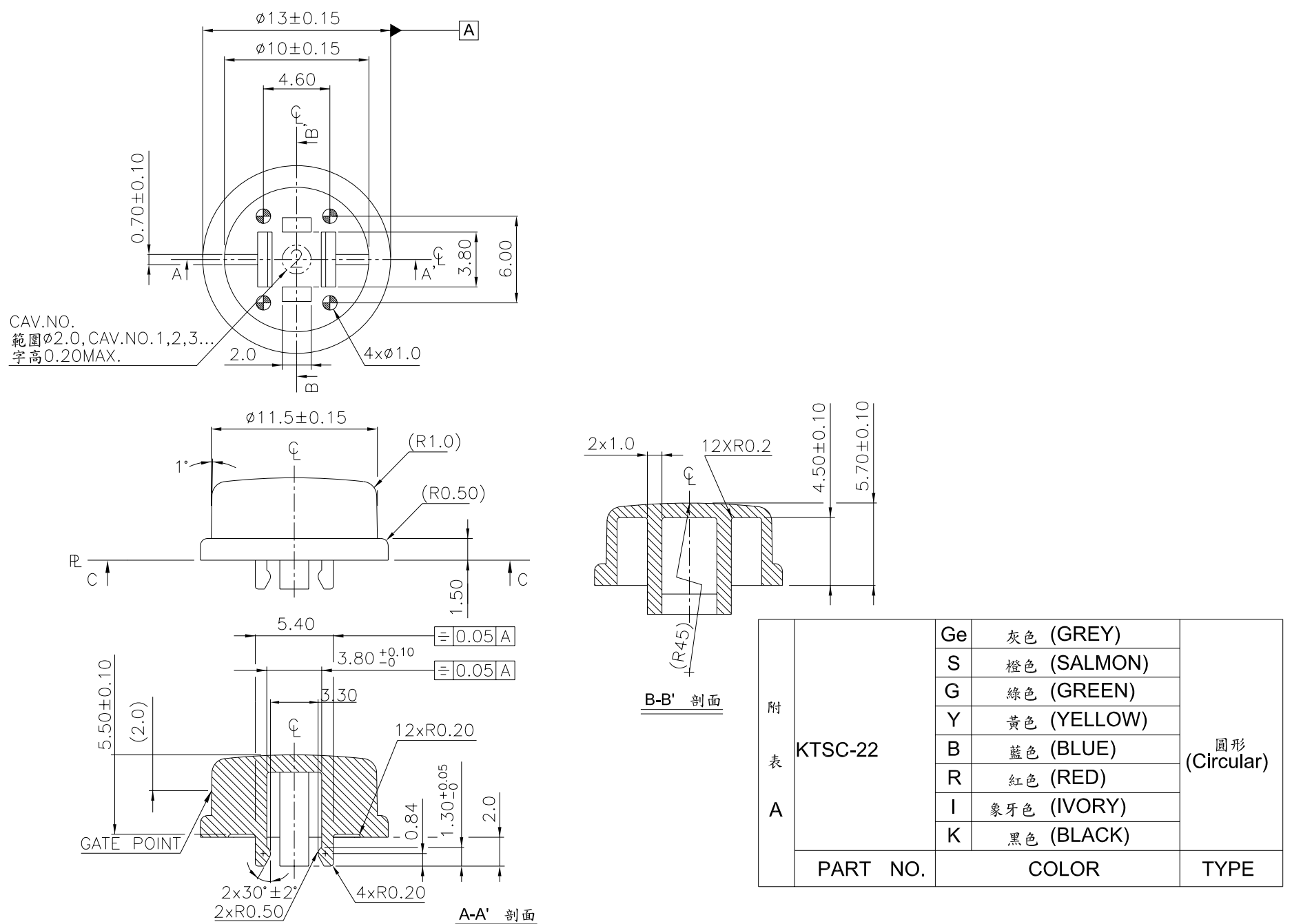
General Tolerance :  $\pm 0.2\text{mm}$

KTSC-21



General Tolerance :  $\pm 0.2\text{mm}$

KTSC-22



General Tolerance :  $\pm 0.2\text{mm}$

## CAP PART NO.

KTSC -

Cap color :

Y = Yellow

B = Blue

R = Red

I = Ivory

K = Black

G = Green

S = Salmon

Ge = Gray

Cap Type :

1 = Square

2 = Round

Prod. Size : <Tactile Switch>

6 = 6X6 mm <Only For DTS-644&648>

2 = 12X12 mm <Only For DTS-24>

▲ <Bulk Pack>

## SPECIFICATION

△ MECHANICAL

Operation Temperature Range : -25°C to +70°C

Storage Temperature Range : -30°C to +80°C

## MATERIAL

△ CAP : Termoplastic ABS

## PACKING

Part Number	Number Per Bag	Number Per Tube
KTSC-6 <input type="checkbox"/> <input type="checkbox"/>	1500	
KTSC-2 <input type="checkbox"/> <input type="checkbox"/>	500	