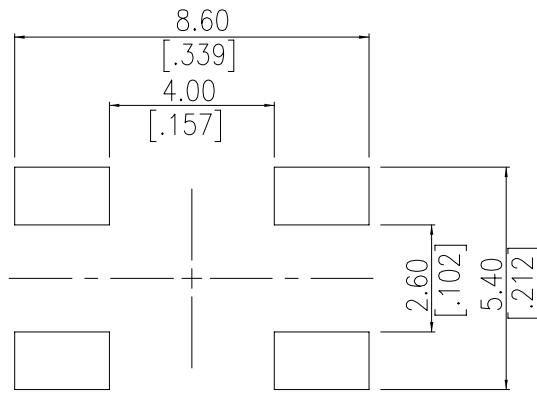
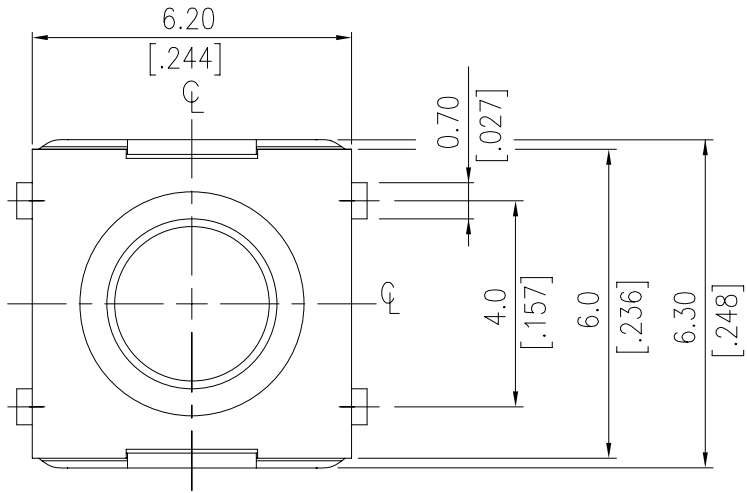


DTSJW-6 SERIES

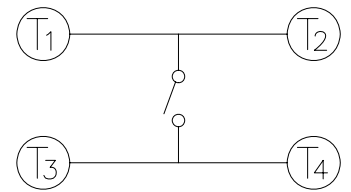


DIMENSIONS

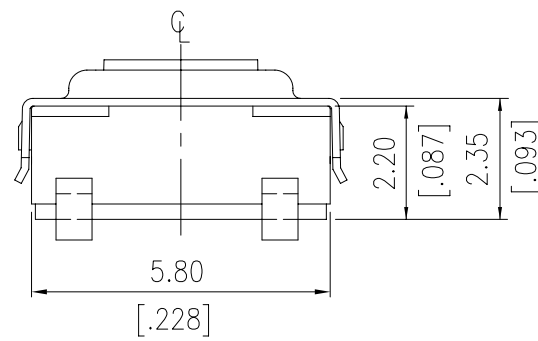
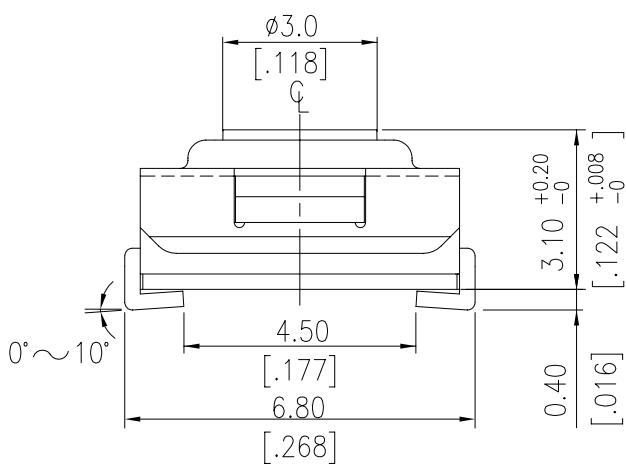
DTSJW-66



P.C.B. LAYOUT SCALE 8:1

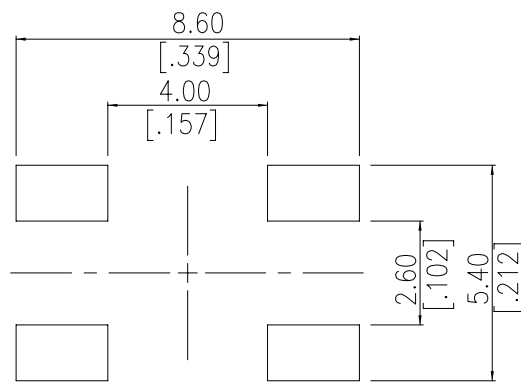
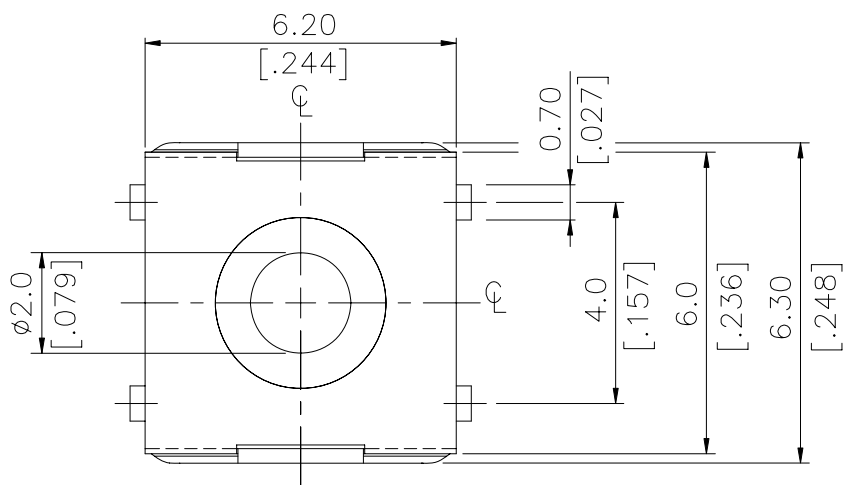


CIRCUIT DIAGRAM

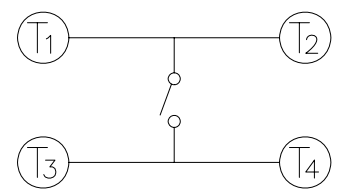


General Tolerance : $\pm 0.2\text{mm}$

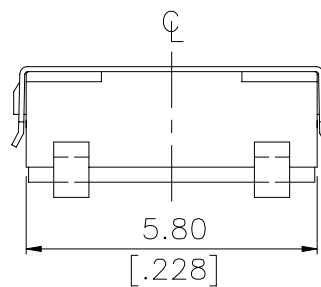
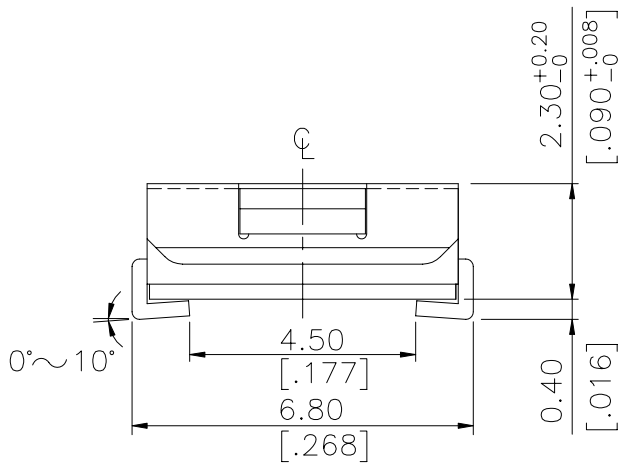
DTSJW-68



P.C.B. LAYOUT SCALE 8:1

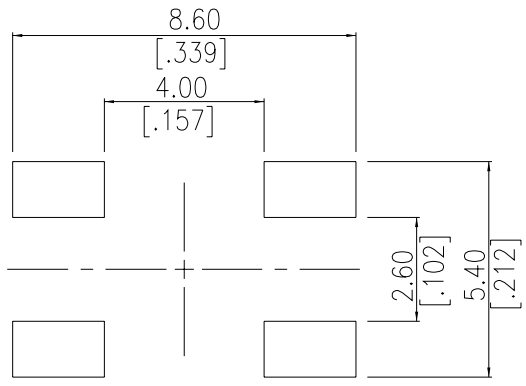
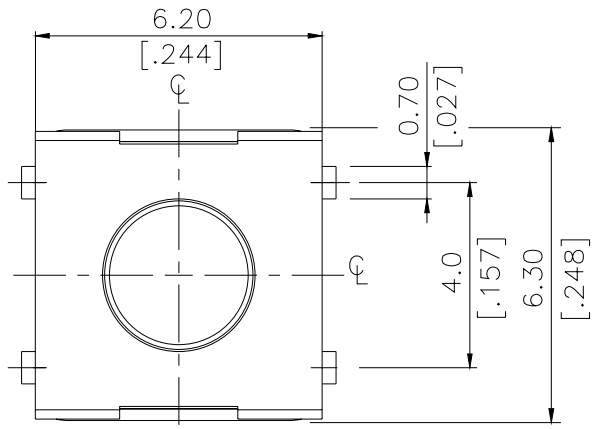


CIRCUIT DIAGRAM

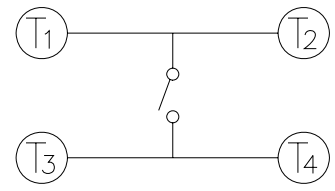


General Tolerance : $\pm 0.2\text{mm}$

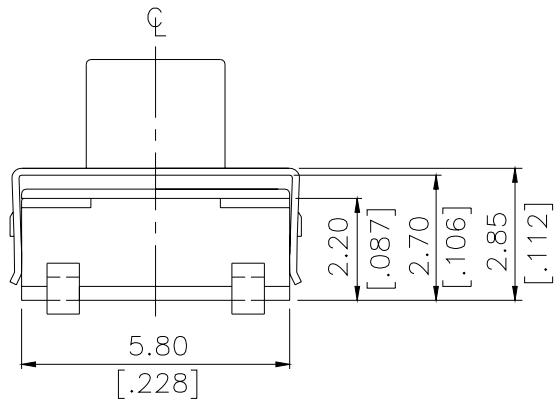
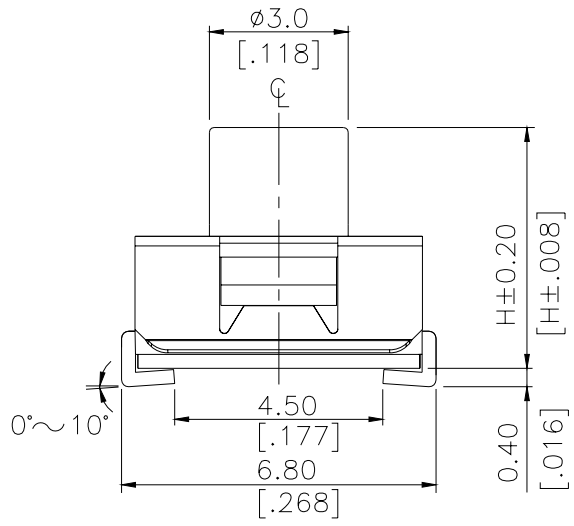
DTSJW-69.67.65.64



P.C.B. LAYOUT SCALE 8:1



CIRCUIT DIAGRAM



DTSJW-64□-V	4.5mm[.177]
DTSJW-65□-V	3.5mm[.138]
DTSJW-69□-V	3.8mm[.150]
DTSJW-67□-V	5.2mm[.205]
PART NO:	H

General Tolerance : ±0.2mm

HOW TO ORDER

DTSJW- □ □ □ - □ - □

Package Style:

- = Bulk
- B = Tube Package
- T/R = Tape & Reel

Soldering

V=Lead Free Solderable

Color of Stem for Operating Force:

- ▲ N = Brown, 160g (66N)
180gf (69N, 65N, 67N, 64N)
- S = Silver, 160gf
- R = Red, 260gf
- T = Transparent, 360gf (69, 65, 67T)

Dimension H:

- 66 = 3.1mm (N)
- 68 = 2.3mm (S)
- 69 = 3.8mm (N,R,T)
- 67 = 5.2mm (N,R,T)
- 65 = 3.5mm (N,R,T)
- 64 = 4.5mm (N,R)

J Bend SMT

Washable Tactile Switch

SPECIFICATION

△MECHANICAL

Operation Force:

- 360± 90gf, Transparent (T), 69, 67,65
- 260± 70gf Red (R), DTSJW – 69,67,65,64
- 180± 50gf Brown (N), DTSJW – 69,67,65,64
- 160 ± 50gf Brown (N), DTSJW – 66
- 160 ± 50gf Silver (S), DTSJW – 68

Stop Strength: Max 3kgf vertical static load continuously for 15 seconds

Stroke: 0.25 +0.20 / - 0.1 mm 66N, 68S
0.45±0.2mm, 69, 67, 65N(R) ,65T, 64N(R)
0.6±0.2mm, 69, 67T

Operation Temperature: -25°C to +70°C

Storage Temperature: -30°C to + 80°C

△ELECTRICAL

Electrical Life:

500,000 cycles min. For 69N(R)(T), 67N(R)(T), 65N(R)(T),64N(R)

100,000 cycles min. for DTSJW-66N, 68S

Rating: 50mA, 12VDC

Contact Resistance: 100mΩ max.

Insulation Resistance: 100MΩ min. at 500VDC

Dielectric Strength: 250VAC/ minute

Contact Arrangement: 1 pole 1 throw

MATERIAL

△COVER: Stainless steel

△TERMINAL: Brass with silver plated

△BASE: UL94V-0 Nylon High-Temp. Thermoplastic
Color: Black

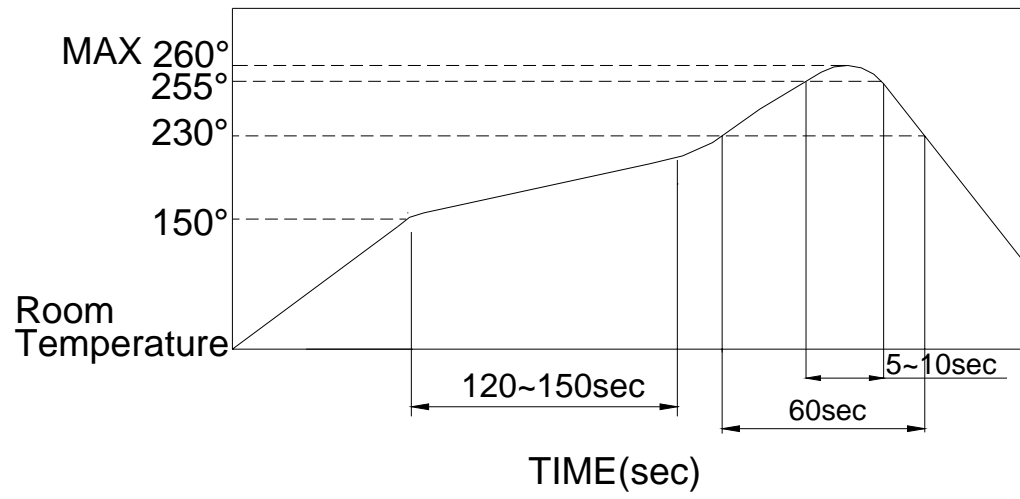
ITEM NO.	DTSJW-66N	DTSJW-68S	DTSJW-69,65,64N(R)	DTSJW-67N(R)T
STEM	High-Temp Thermoplastic Nylon UL94V-0 Color : Brown (N),160gf	None	Silicone Rubber	Silicone Rubber
ADHESIV TAPE	TEFLON	TEFLON(standard) KAPTON(V-option)	None	None
METAL STEM	Brass with Nickel plated	Brass with Nickel plated	None	None
FILLER	None	None	None	Nylon
CONTACT	Stainless steel			

SOLDERING PROCESS

△ **HAND SOLDERING** : Use a soldering iron of 30 watts, controlled at 350°C approximately max 5 seconds while applying solder.

△ **SOLDERING** : Vapor phase & reflow soldering can be applied

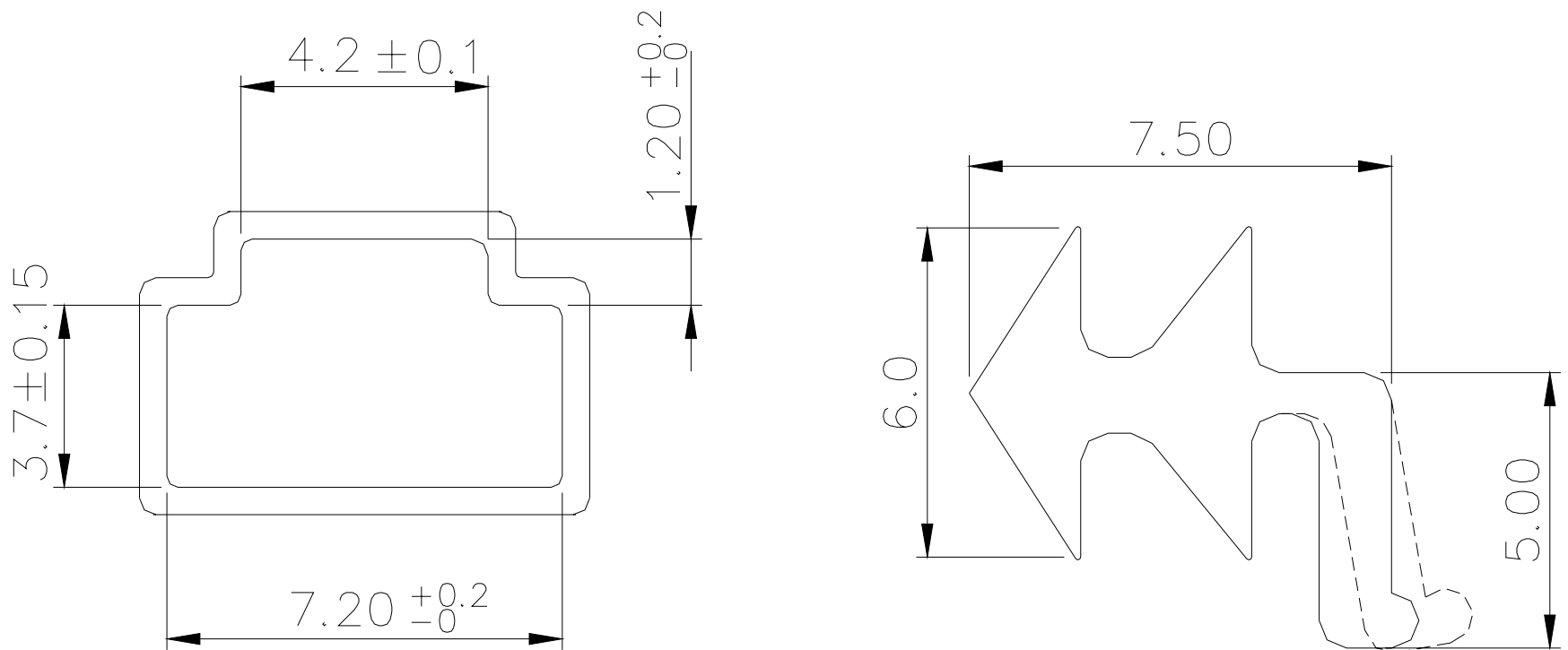
△ **Temperature Profile:**



PACKING

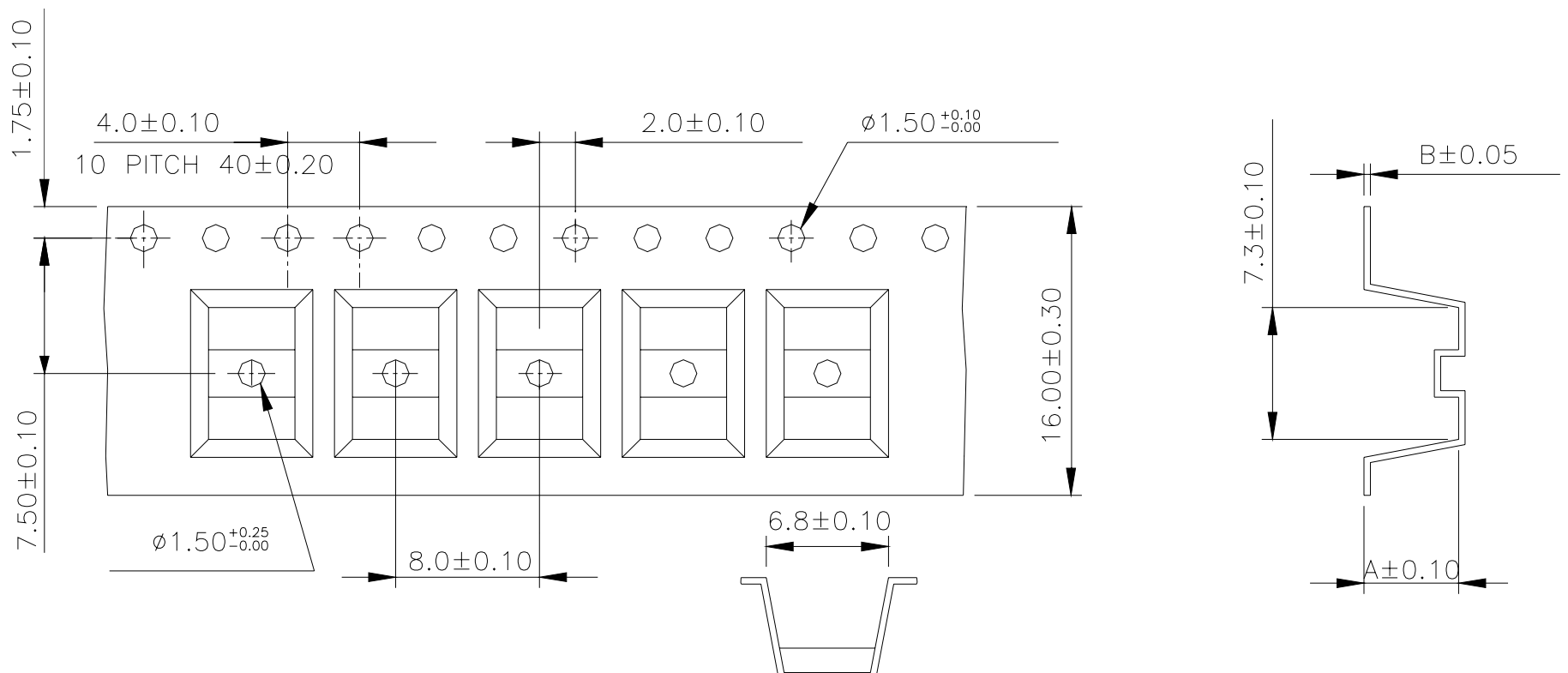
Part Number	Number Per Tube	Number Per Reel
DTSJW-66	75	1900
DTSJW-68	75	2700
DTSJW-69	75	1800
DTSJW-65	75	1900
DTSJW-67	75	900
DTSJW-64	-	900

TUBE



General Tolerance : ±0.2mm

REEL



General Tolerance : ±0.1mm