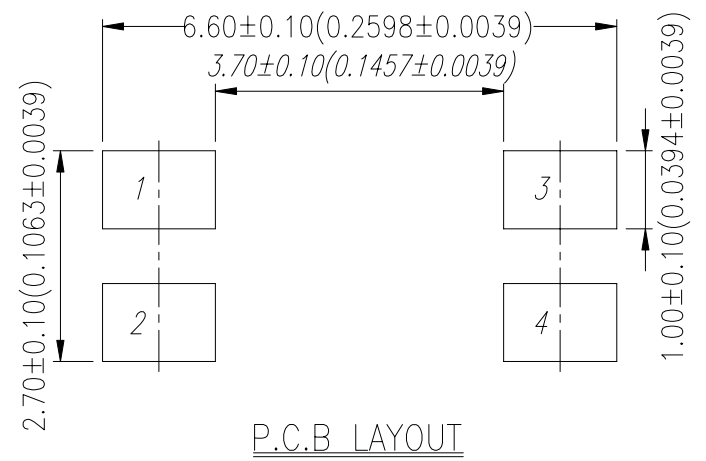
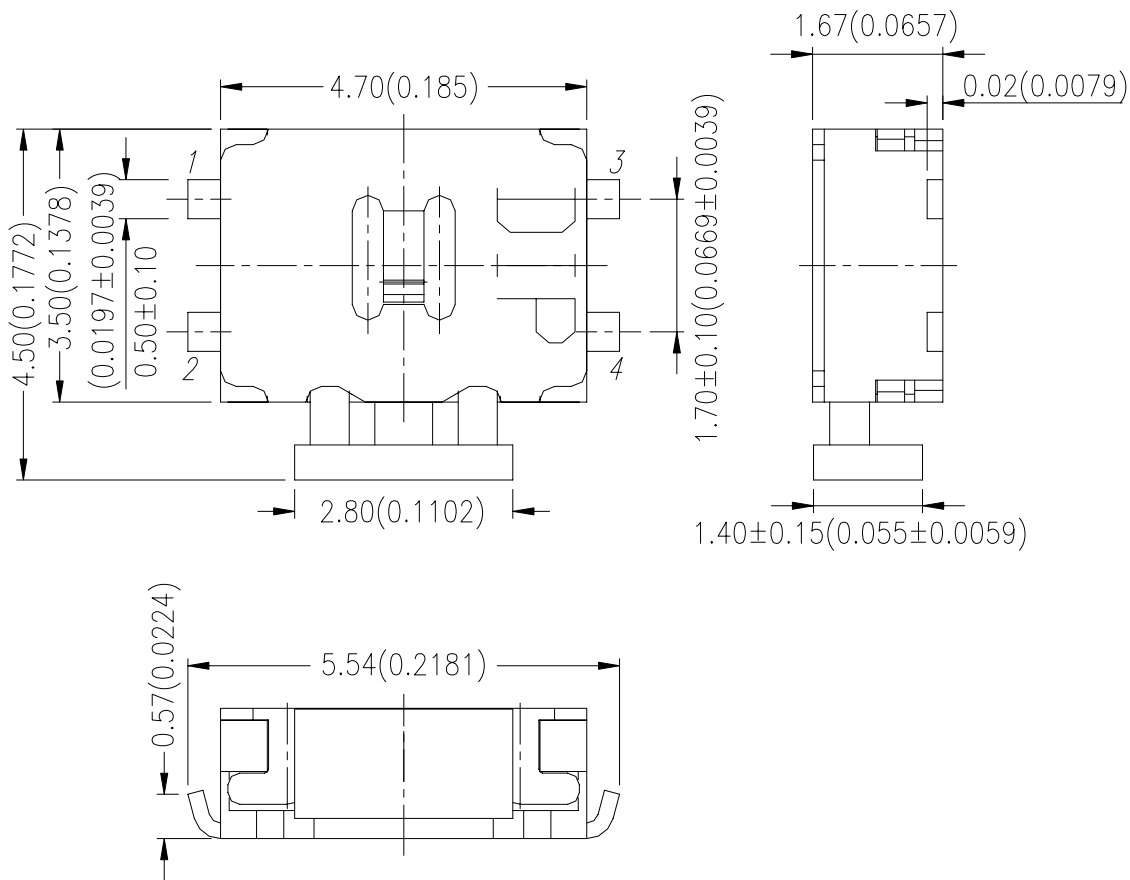


PT SERIES

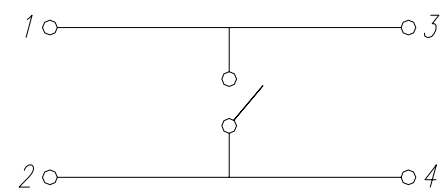


DIMENSIONS

PTL



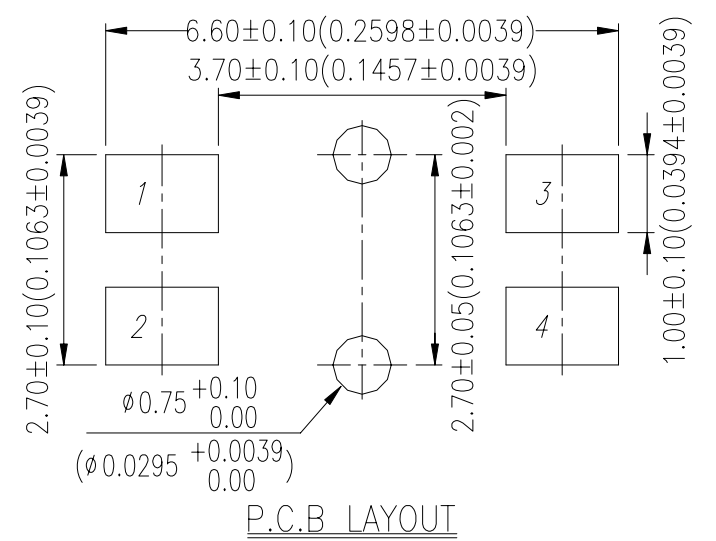
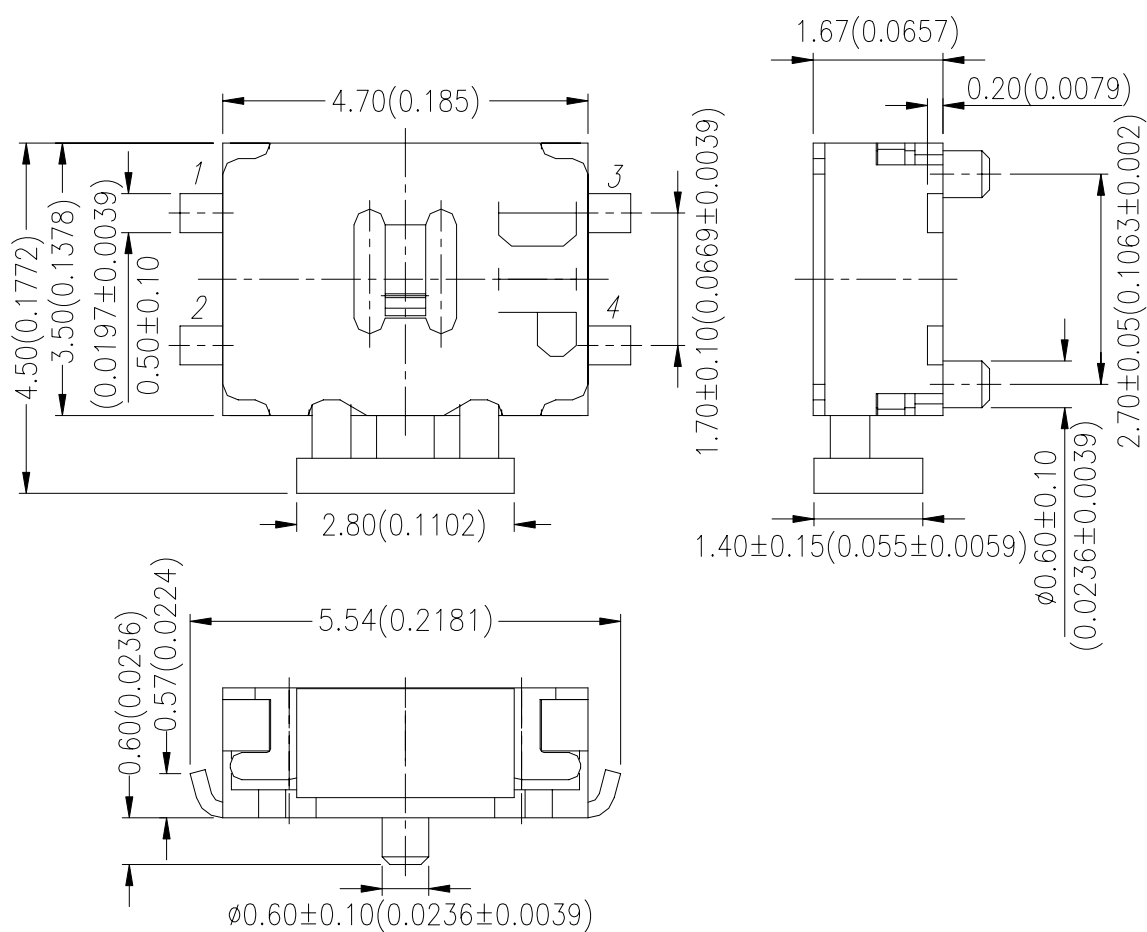
P.C.B LAYOUT



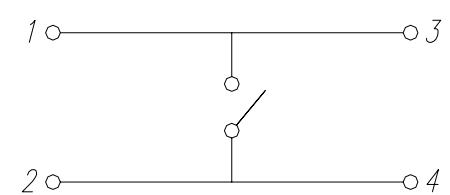
CIRCUIT DIAGRAM

GENERAL TOLERANCES MAX:±0.2mm.

PTCL



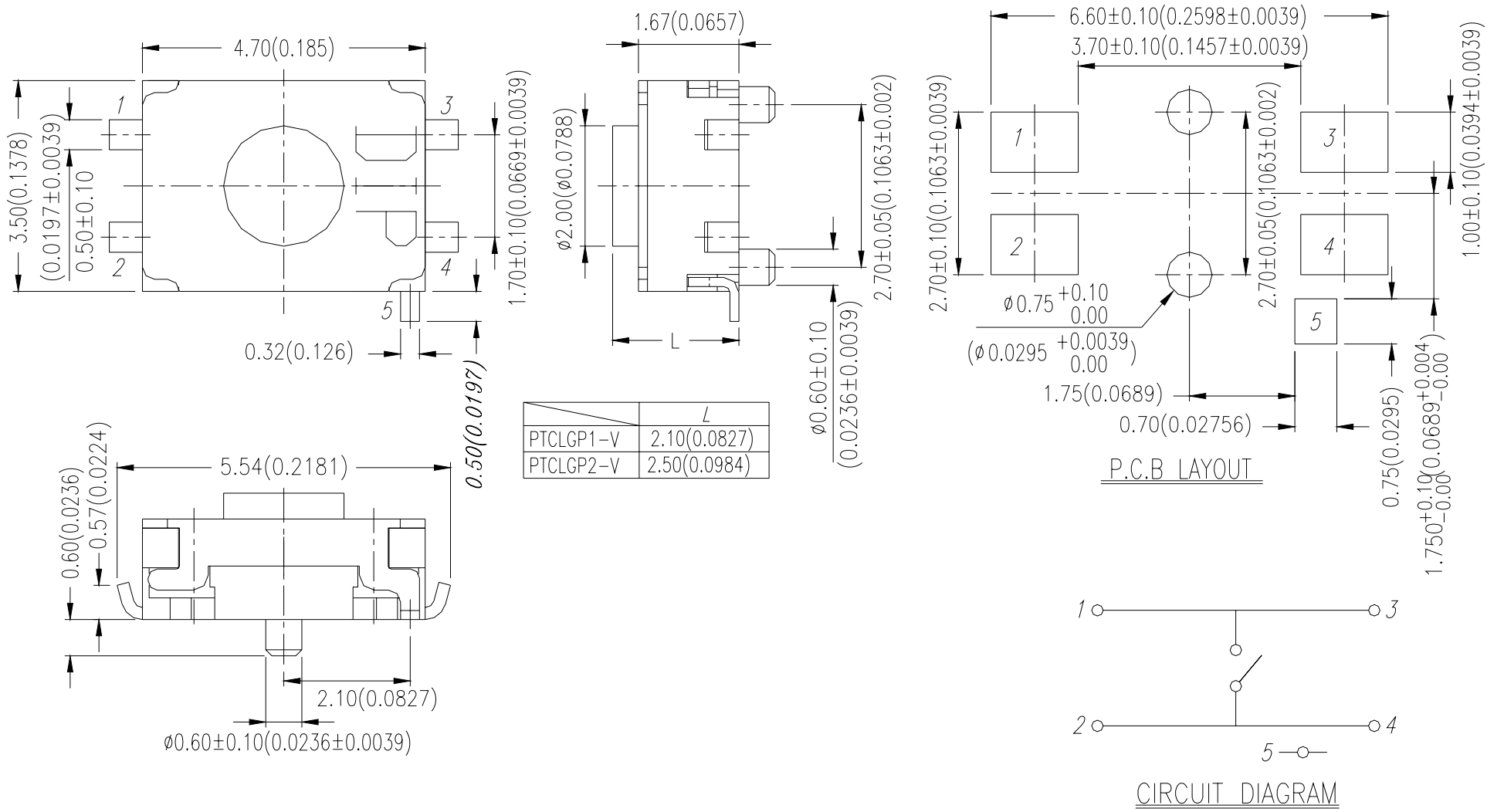
P.C.B LAYOUT



CIRCUIT DIAGRAM

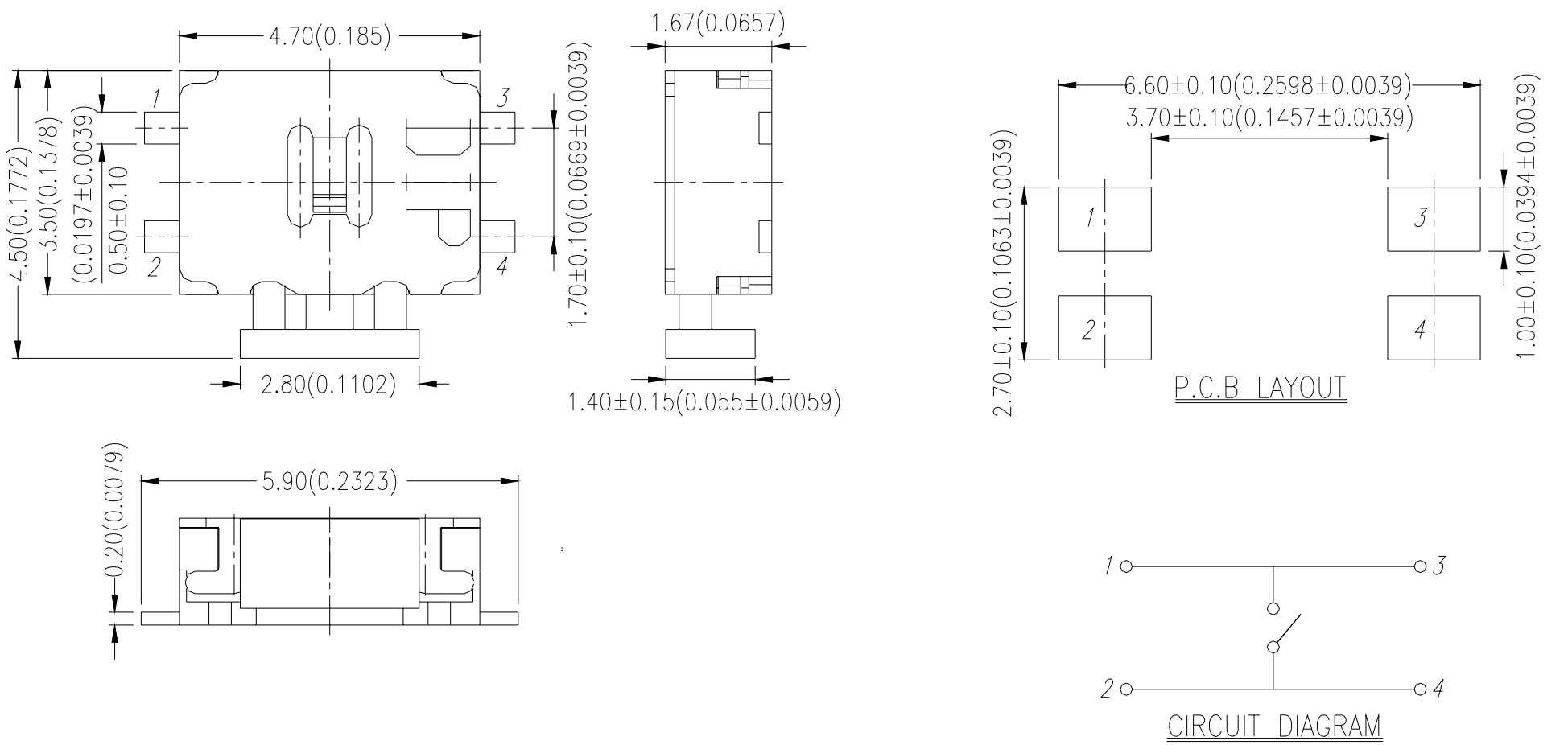
GENERAL TOLERANCES MAX:±0.2mm.

PTCLGP



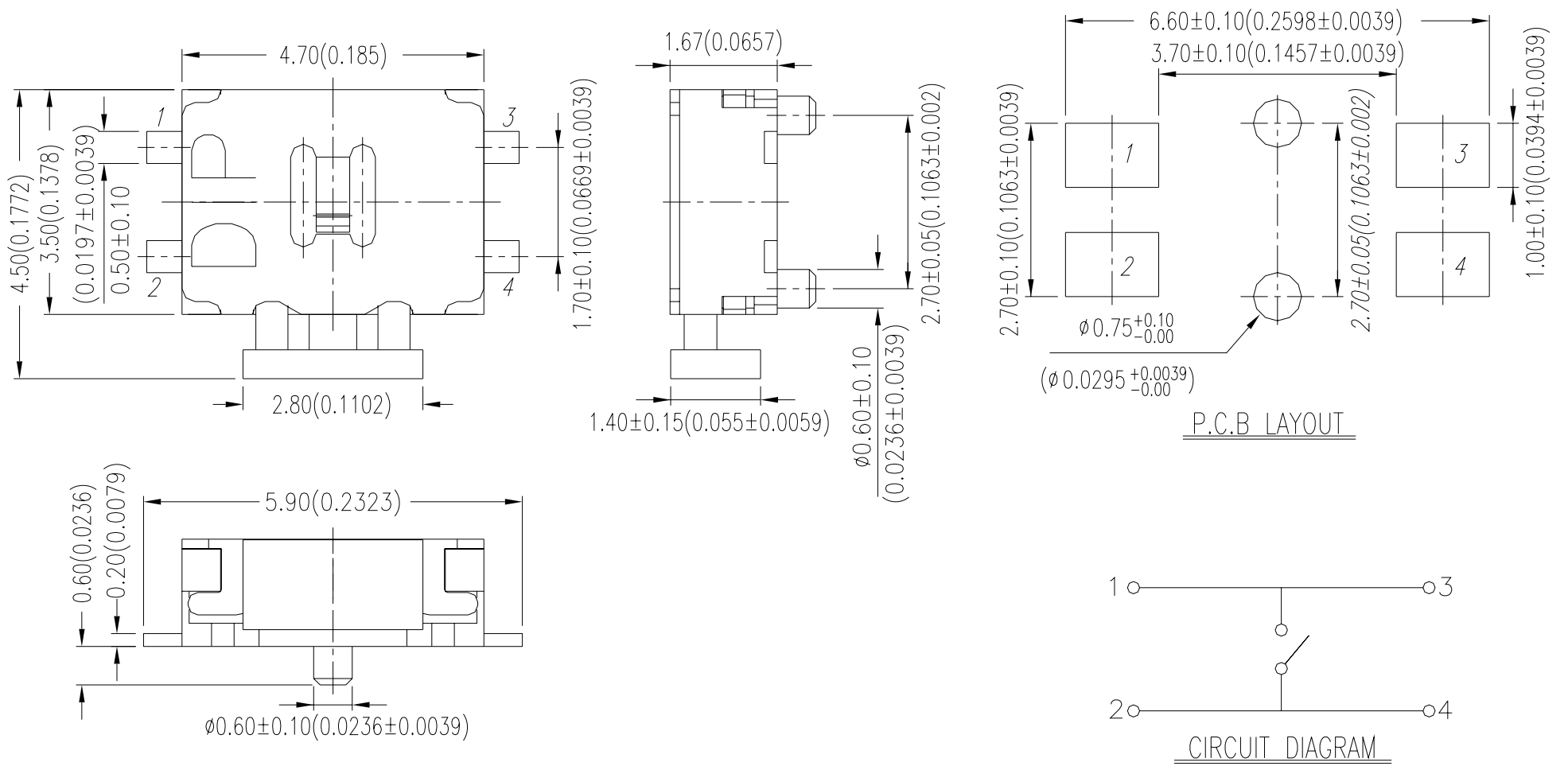
GENERAL TOLERANCES MAX:±0.2mm.

PTF



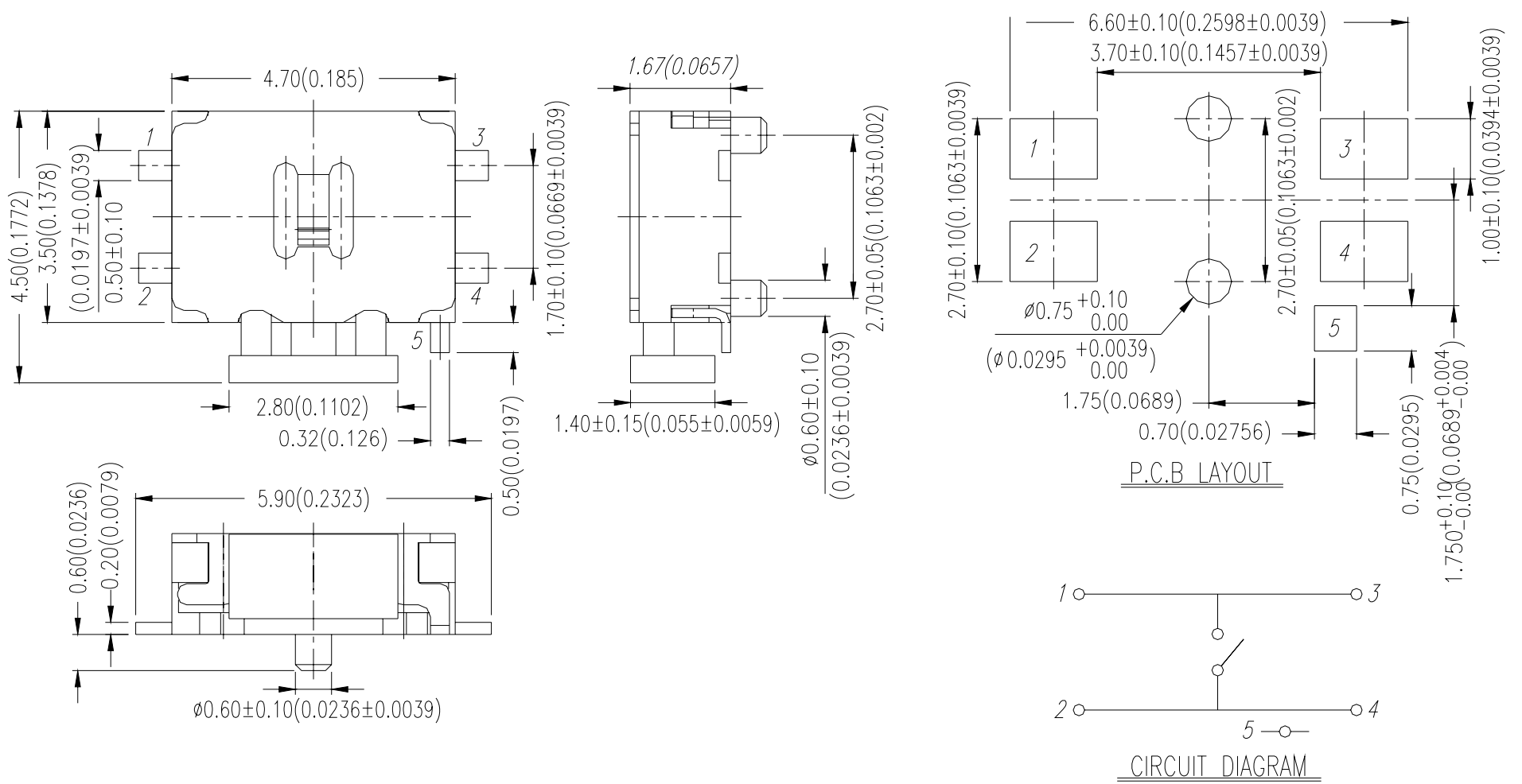
GENERAL TOLERANCES MAX:±0.2mm.

PTCF



GENERAL TOLERANCES MAX:±0.2mm.

PTCFG



GENERAL TOLERANCES MAX:±0.2mm.

HOW TO ORDER

PT □ □ □ □ - □ - □

Package Style :
T/R = Tape & Reel

Soldering :
V = Lead Free Solderable

Stem Height For Vertical Push Type :
□ = Side Push
P1 = 2.1mm
P2 = 2.5mm

□ = Without Ground Terminal
G = With Ground Terminal

Terminal Type :
L = J Bend
F = Flat

□ = Without Post
C = With Post

Side/Vertical Push Switch

SPECIFICATION

△MECHANICAL

Operation Force:

220 +80/-70gf Side push

160 ± 50gf Vertical push

Stroke: 0.30 ^{+0.10 mm} _{-0.15 mm} Side push

0.20 ± 0.1 mm Vertical push

Operation Temperature: -25°C to +70°C

Storage Temperature: -30°C to +80°C

△ELECTRICAL

Electrical Life: 100,000 cycles min. for PT(C)L, PT(C)F

Rating: 50mA, 12VDC

Contact Resistance: 100mΩ max.

Insulation Resistance: 100MΩ min. 500VDC

Dielectric Strength: 250VAC/ 1minute

Contact Arrangement: 1 pole 1 throw

MATERIAL

△COVER: Stainless Steel

△CONTACT DISC: Stainless steel

△TERMINAL: Brass with silver plated

△BASE: Nylon High-temp. thermoplastic

Color: Black

△STEM: LCP High-temp. thermoplastic

Color: Black

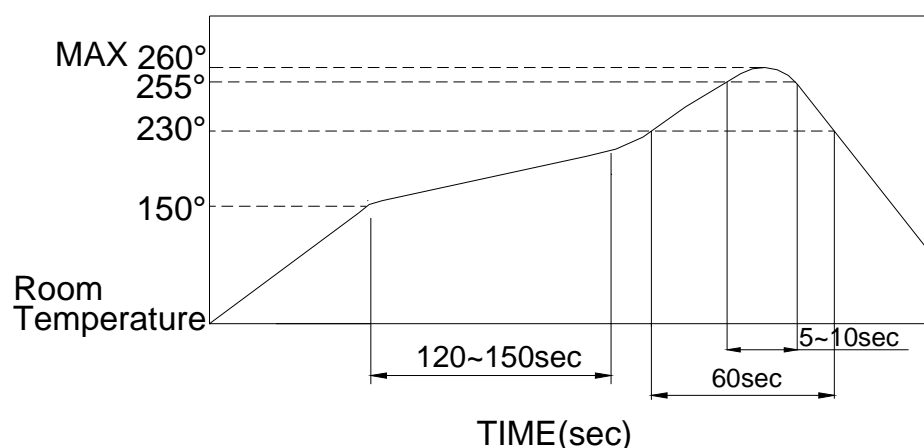
△TAPE: Teflon

SOLDERING PROCESSES

△HAND SOLDERING : Use a soldering iron of 30 watts, controlled at 350°C approximately max 5 seconds.

△REFLOW SOLDERING :

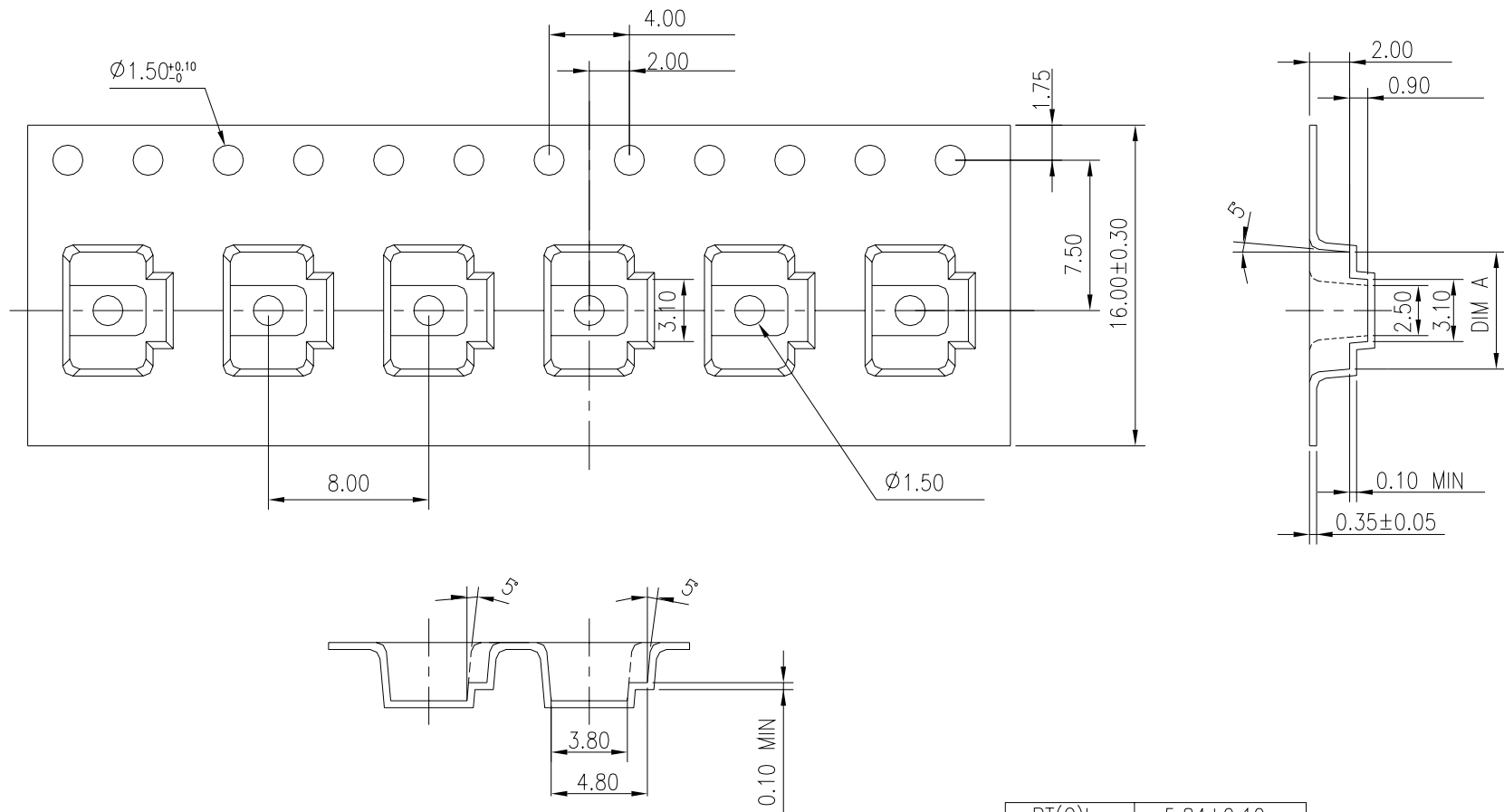
△Reflow Temperature Profile:



PACKING

Part Number	Number Per Reel	
Side push type	3000	
Vertical push type	2400	

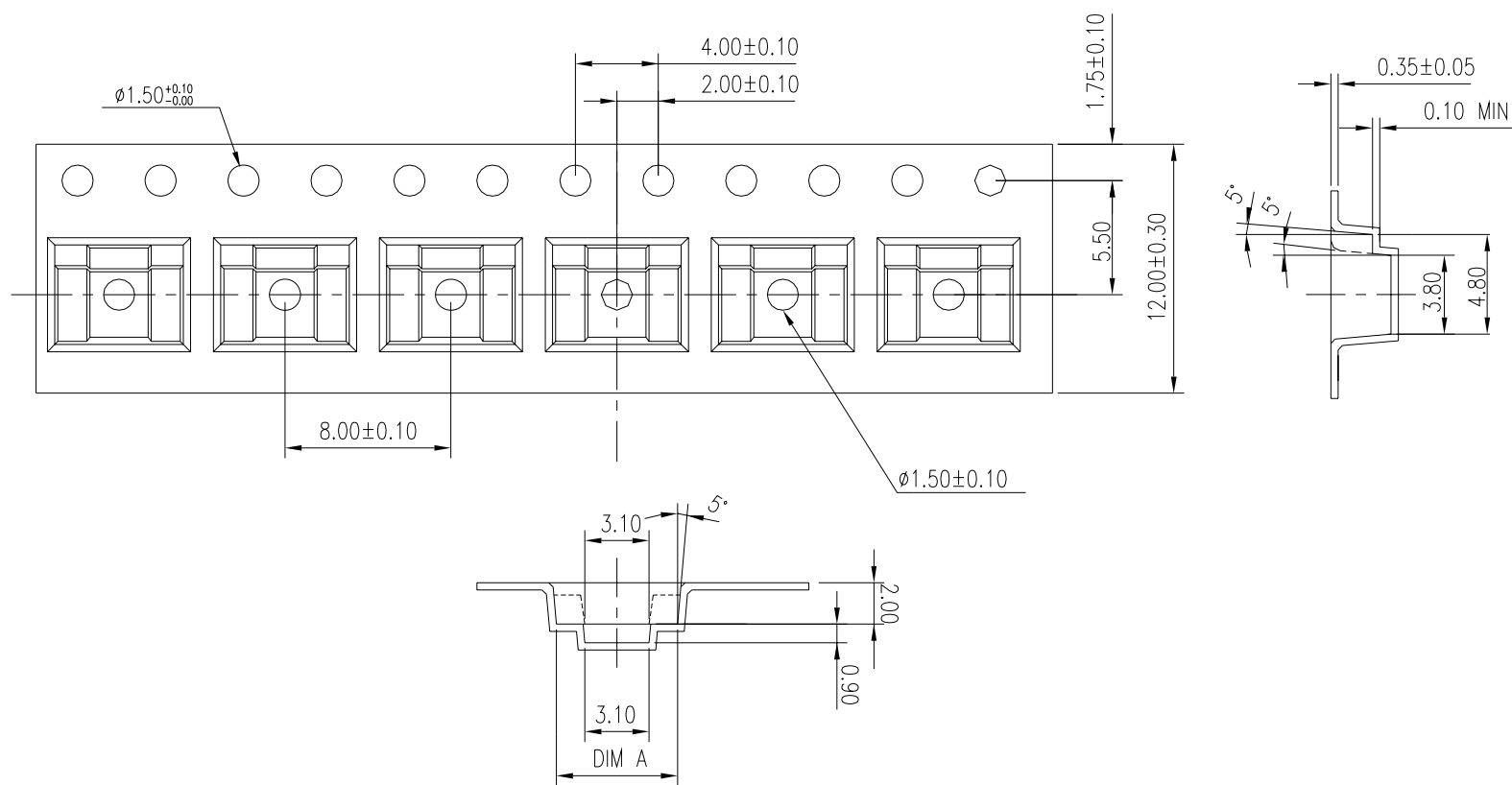
PT(Side push type) REEL



PT(C)L	5.84±0.10
PT(C)F	6.20±0.10
PAPT NAME	DIM A

General Tolerance : ±0.1mm

PT(Vertical push type) REEL



PT(C)L-N	5.84±0.10
PT(C)F-N	6.20±0.10
PAPT NAME	DIM A

General Tolerance : ±0.1mm