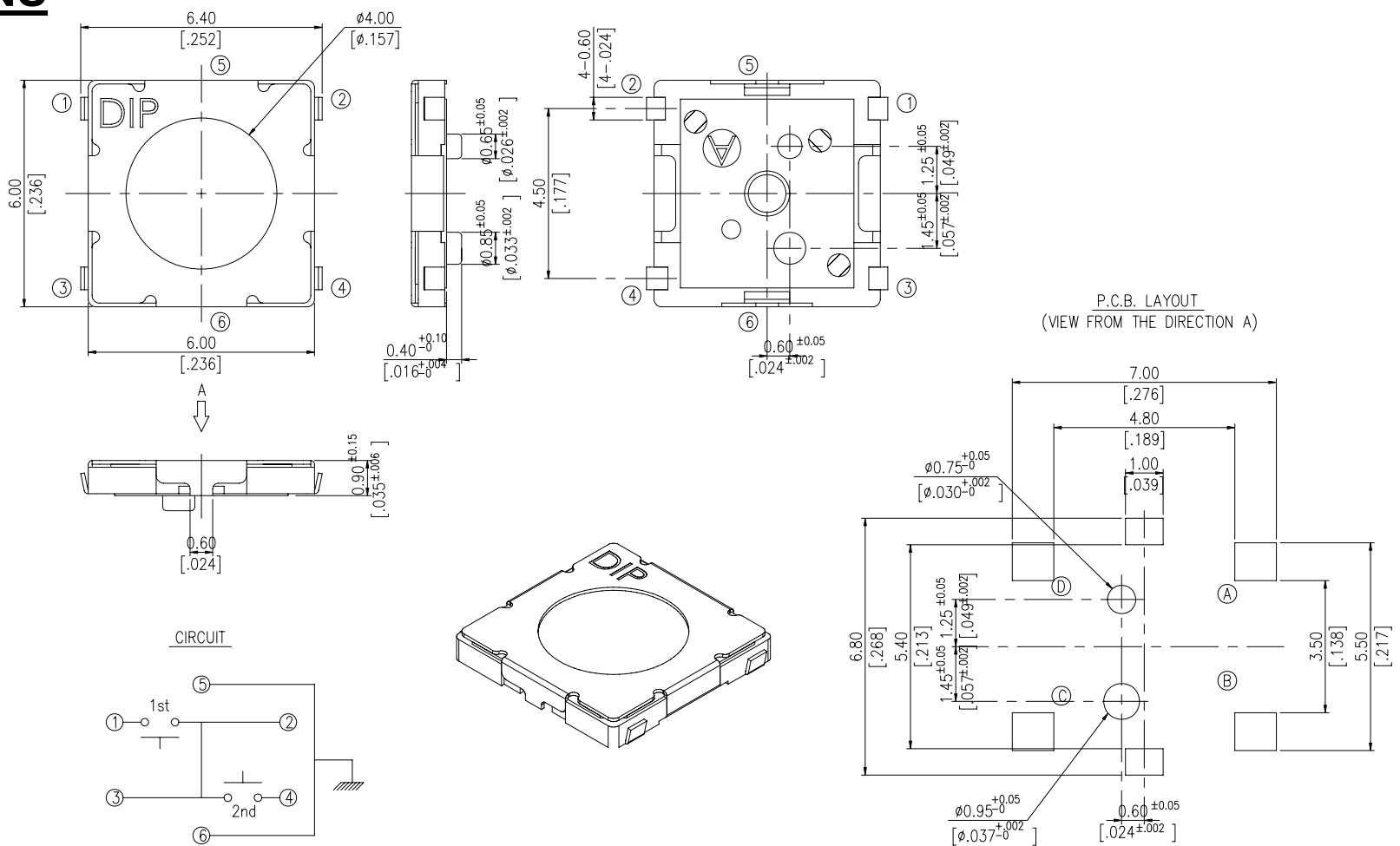


M2A SERIES



DIMENSIONS

M2A



General Tolerance : $\pm 0.2\text{mm}$

HOW TO ORDER

M 2 A - L - □ - □

Package :
T/R = Tape & Reel

Soldering :
V = Lead Free Solderable

Terminal Type :
L = J Bend

Miniature Double Action Tact Switch

SPECIFICATION

△MECHANICAL

Operation Force: 1st 80 \pm 40gf

2nd 250 \pm 60gf

Stroke: 1st 0.25 \pm 0.1 mm

2nd 0.40 \pm 0.15 mm

Operation Temperature: -25°C to + 70°C

Storage Temperature: -30°C to +80°C

△ELECTRICAL

Electrical Life: 30,000 cycles

Rating: 50mA , 12VDC

Contact Resistance: 100mΩ max.

Insulation Resistance: 100MΩ min. at 100VDC

Dielectric Strength: 250VAC/1 minute

Contact Arrangement: 1 pole 2 throw

MATERIAL

△COVER: Nickel silver

△BASE: UL 94V-0 Nylon high-temp Thermoplastic

Color: Black

△DUST-PROOF: PTFE

Color: White

△CONTACT DISC: Stainless with silver cladding

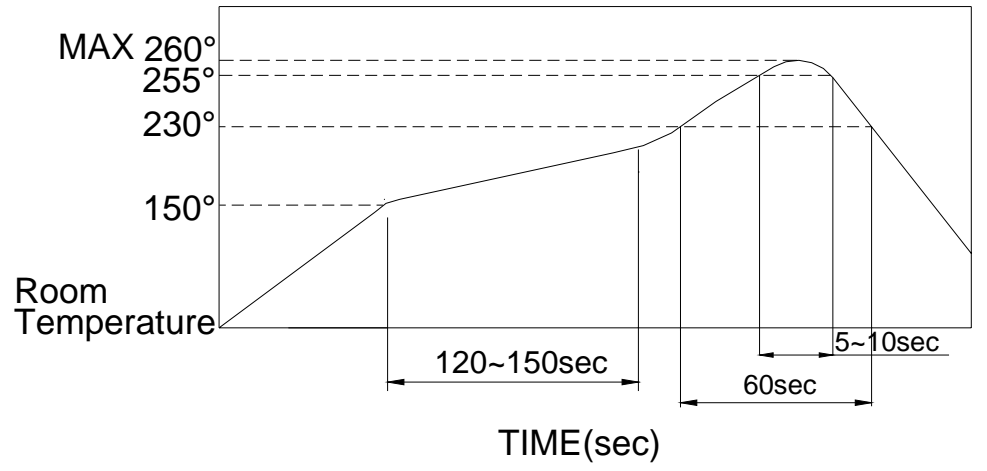
△TERMINAL: Copper alloy with silver plated

SOLDERING PROCESS

△ **HAND SOLDERING:** Use a soldering iron of 30 watts, Controlled 350°C approximately 5 seconds while applying.

△ **REFLOW SOLDERING:** When applying reflow soldering, the peak temperature of the reflow oven should be set to 260°C max.

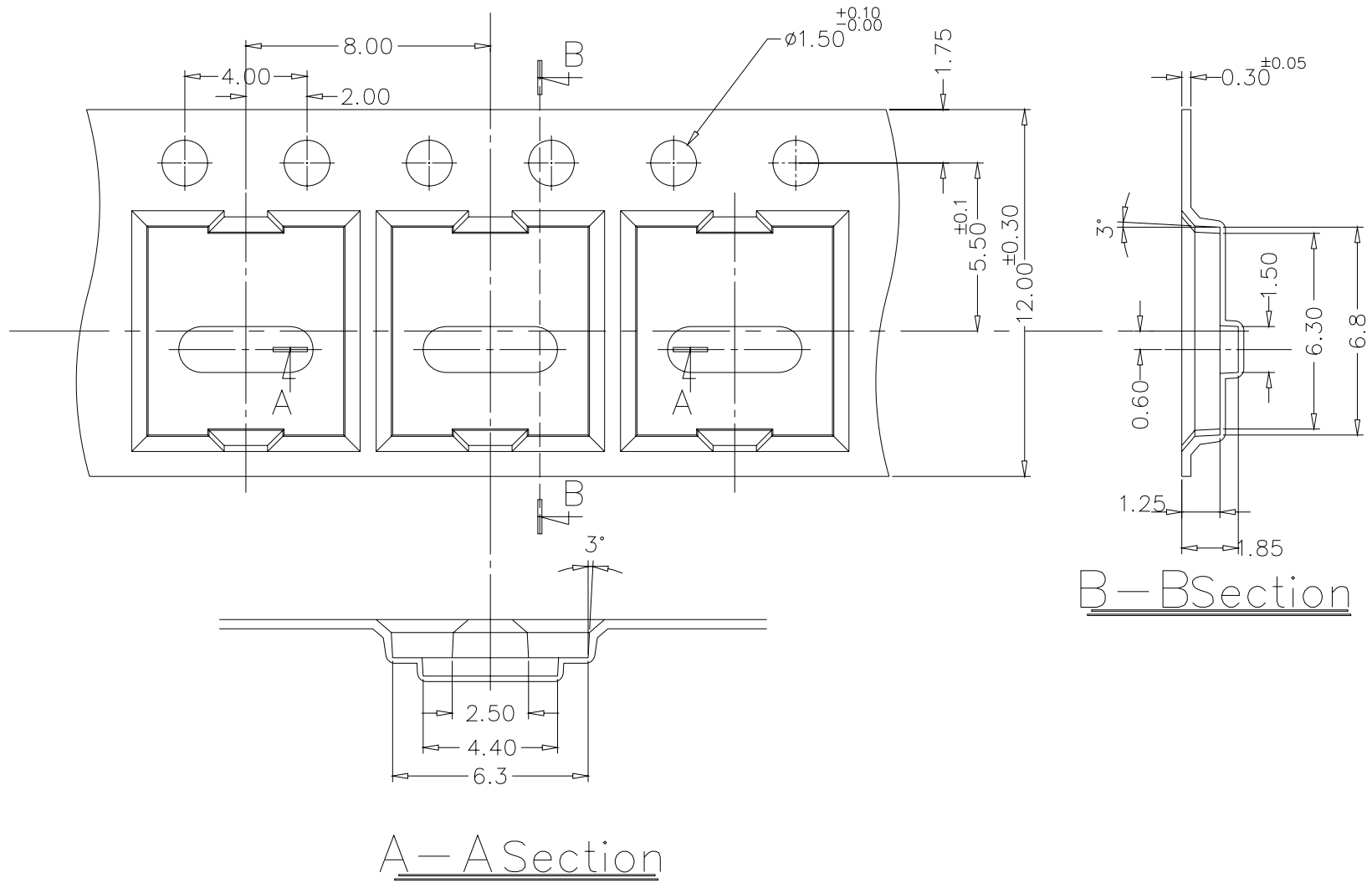
△ **Temperature Profile:**



PACKING

M2A REEL

Part Number	Number Per Tube	Number Per Reel
M2A-L-T/R	-	4000



General Tolerance : $\pm 0.1\text{mm}$