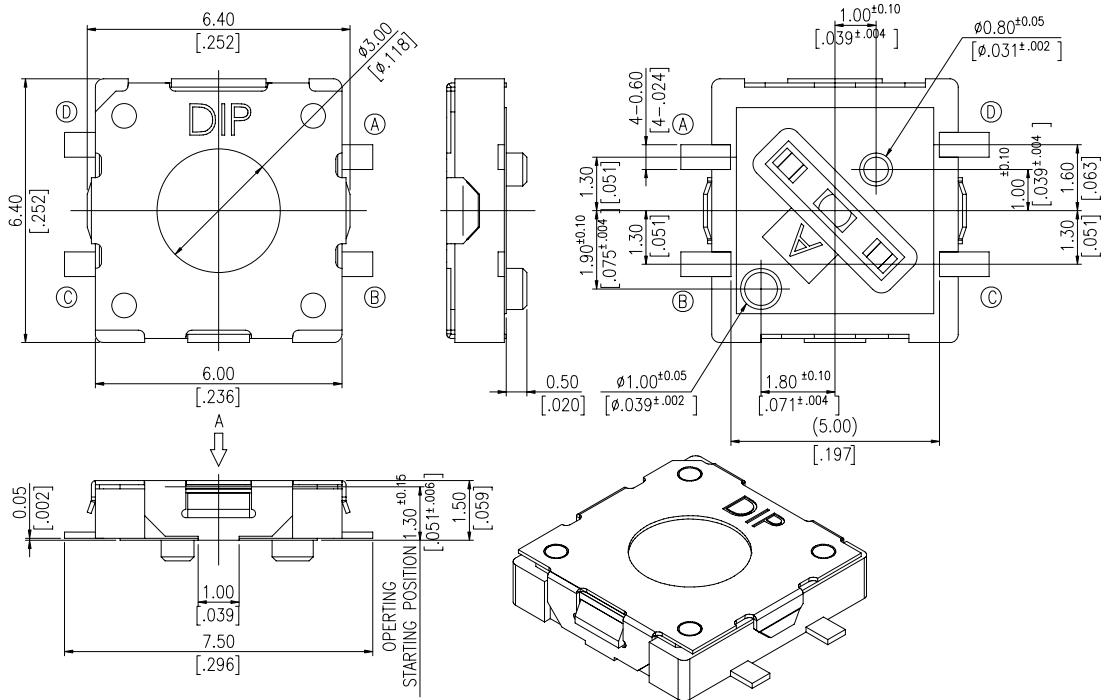


2A SERIES

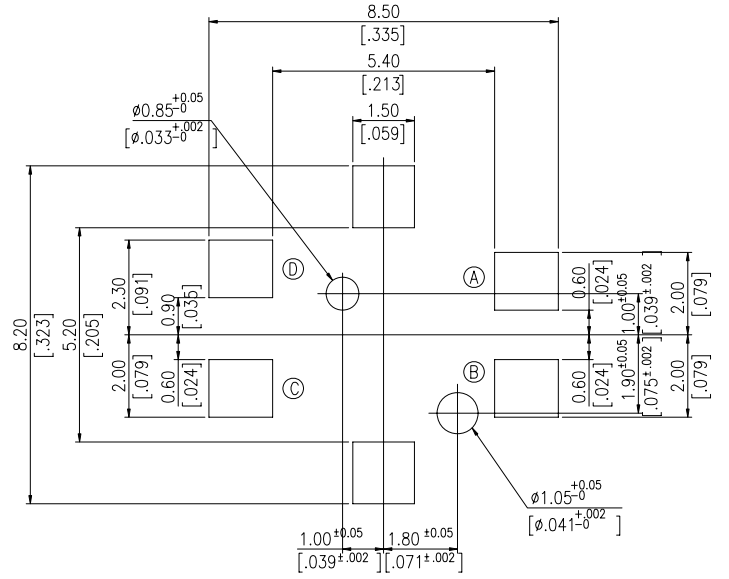


DIMENSIONS

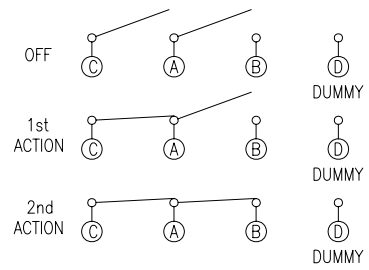
2A-F



P.C.B LAYOUT (VIEW FROM THE DIRECTION A)

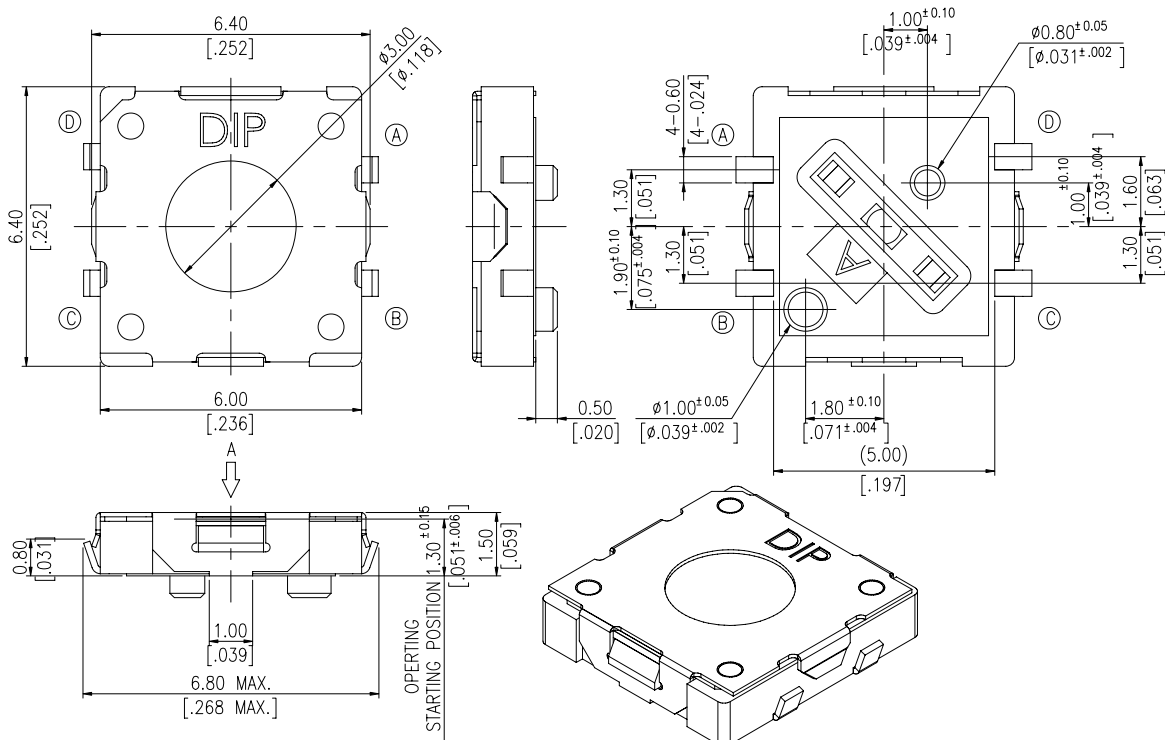


CIRCUIT

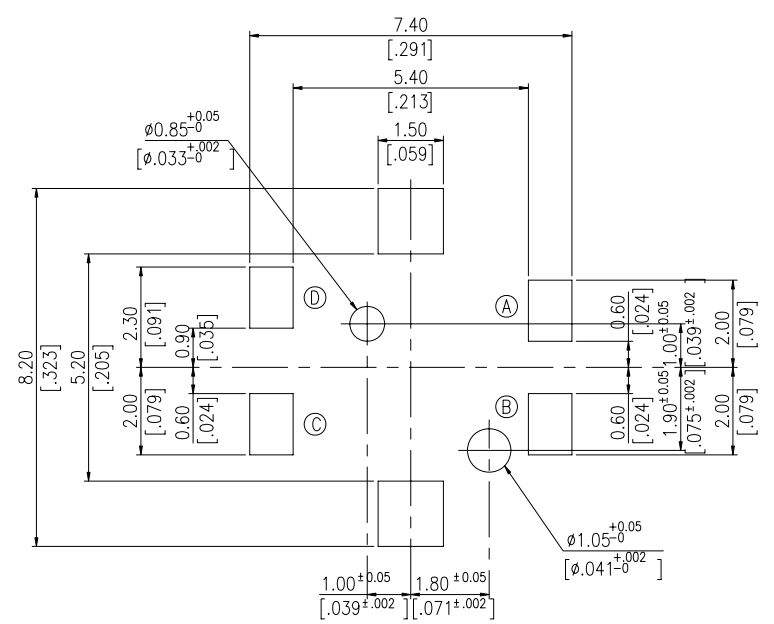


****GENERAL TOLERANCES MAX:±0.2mm.****

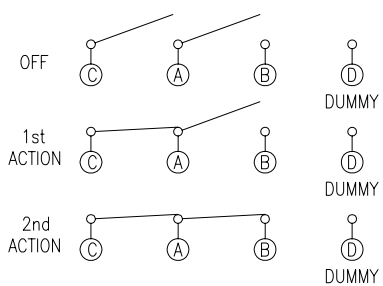
2A-L



P.C.B LAYOUT (VIEW FROM THE DIRECTION A)

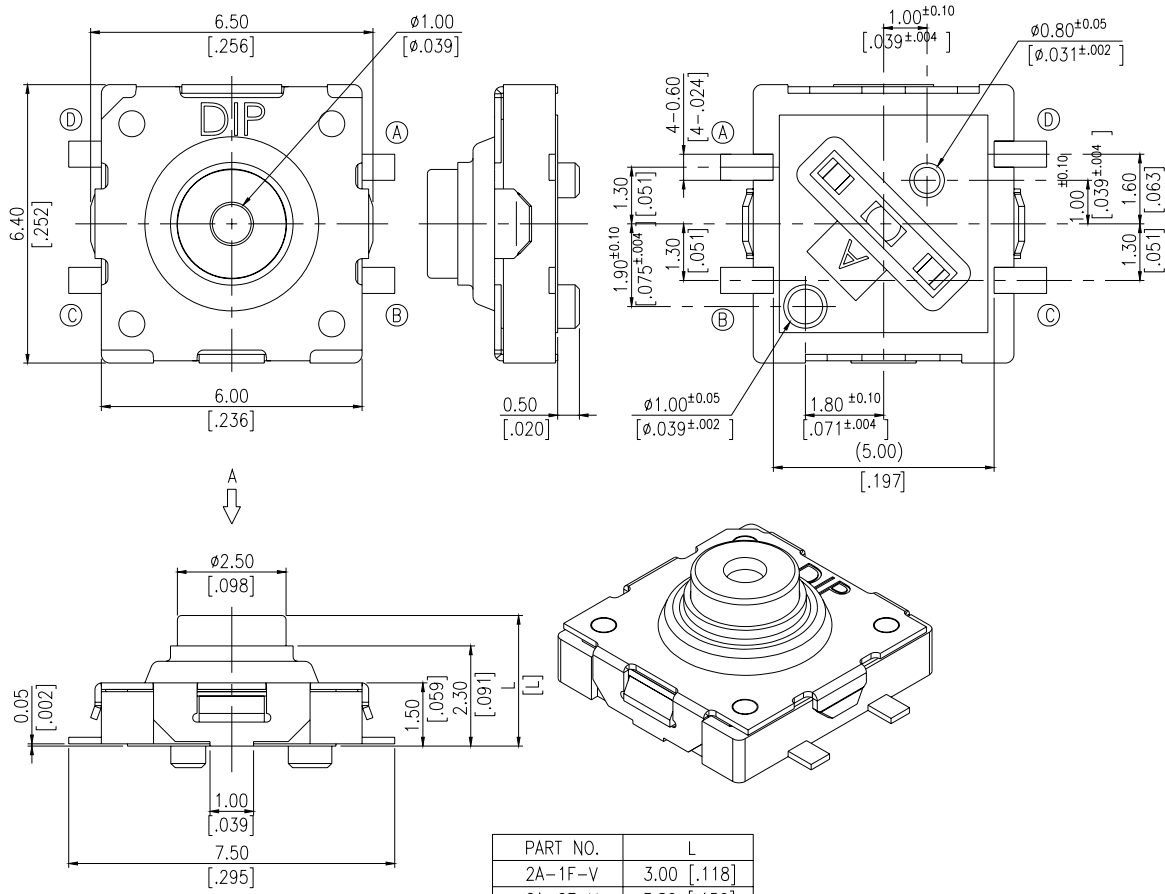


CIRCUIT



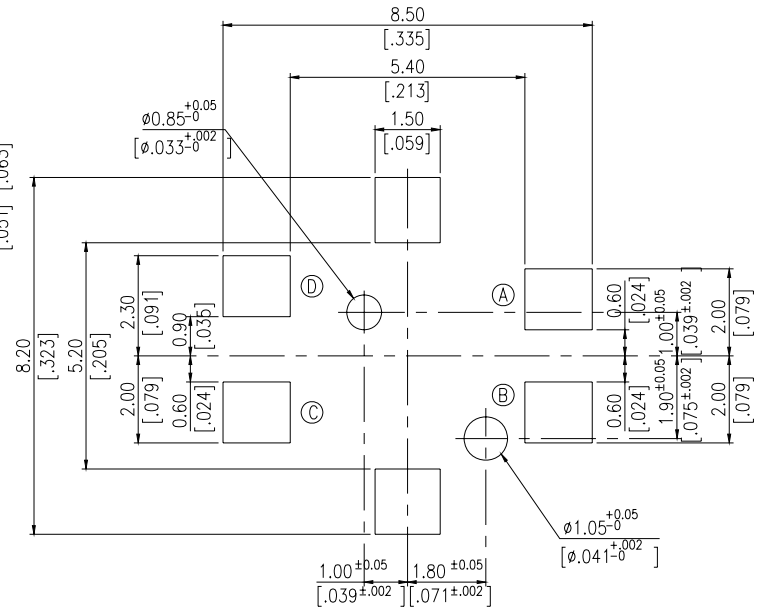
****GENERAL TOLERANCES MAX:±0.2mm.****

2A-□F

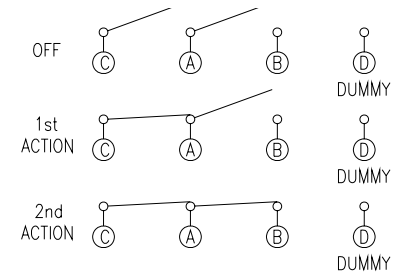


PART NO.	L
2A-1F-V	3.00 [0.118]
2A-2F-V	3.80 [0.150]

**P.C.B LAYOUT
(VIEW FROM THE DIRECTION A)**

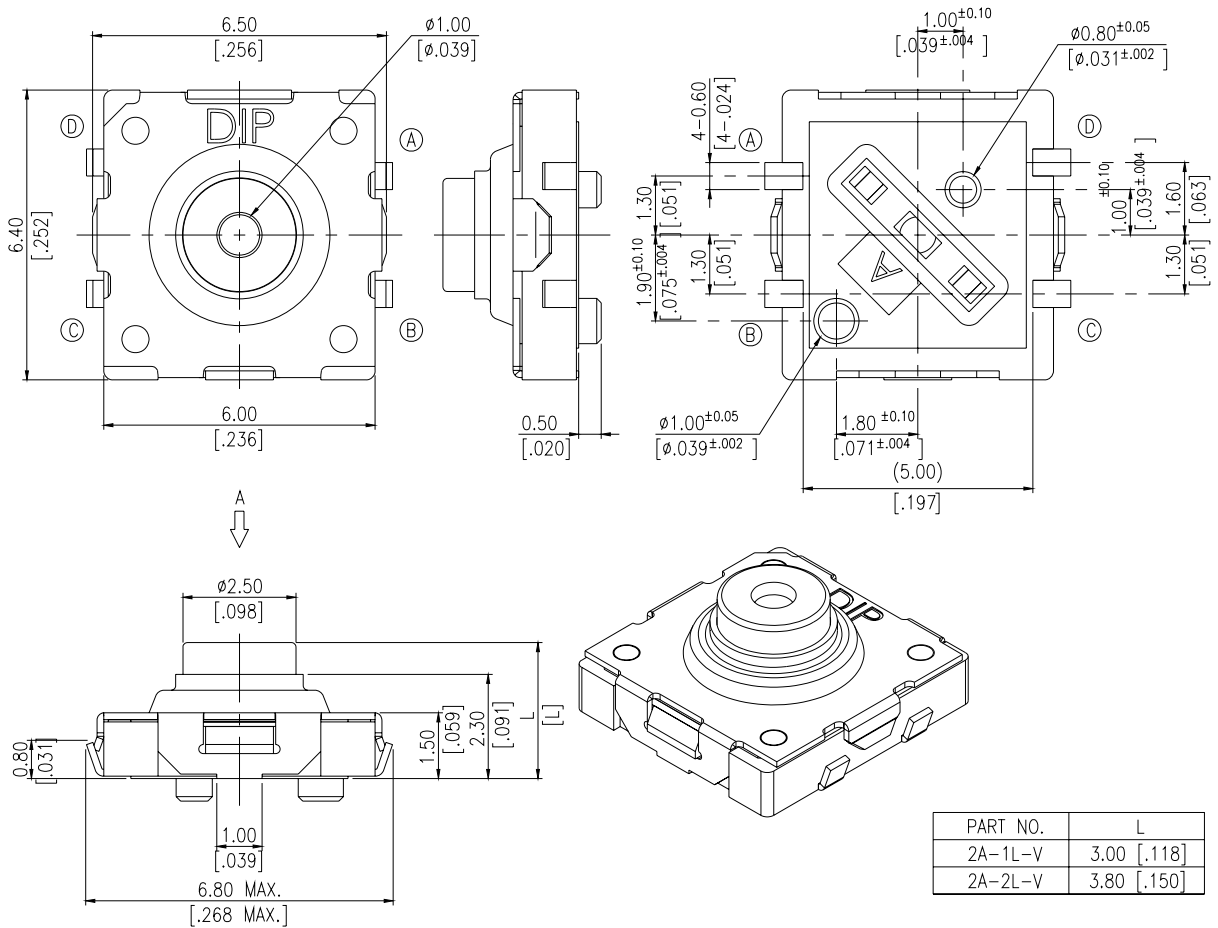


CIRCUIT



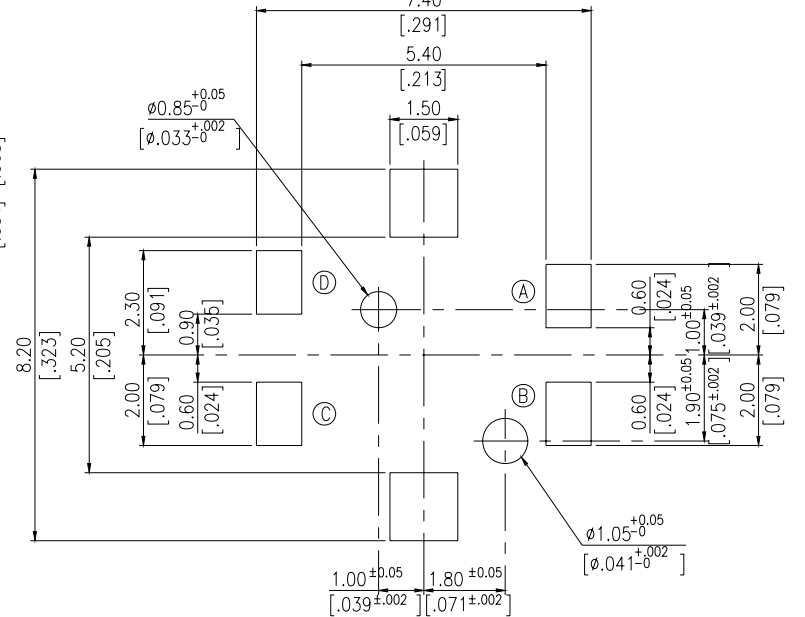
****GENERAL TOLERANCES MAX:±0.2mm.****

2A-□L

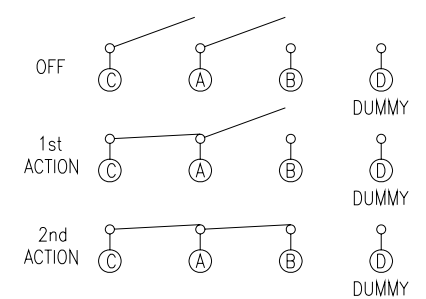


PART NO.	L
2A-1L-V	3.00 [0.118]
2A-2L-V	3.80 [0.150]

**P.C.B LAYOUT
(VIEW FROM THE DIRECTION A)**

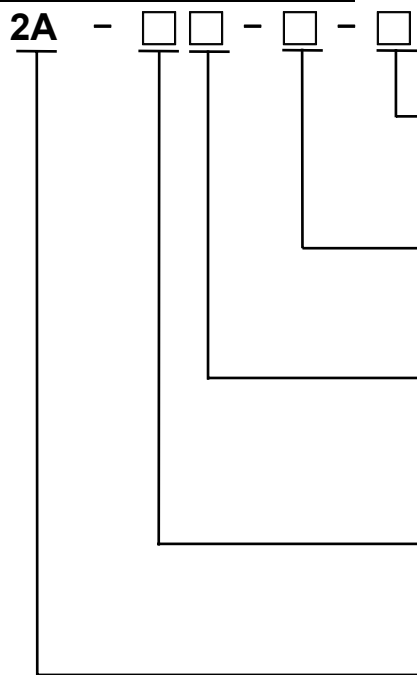


CIRCUIT



****GENERAL TOLERANCES MAX:±0.2mm.****

HOW TO ORDER



Package Style:
T/R= Tape & Reel

Soldering:
V=Lead Free Solderable

Terminal Type:
F= Flat
L= J Bend

□= Without Actuator
1= Actuator H:3.0mm
2= Actuator H:3.8mm
Double Action Tact Switch

SPECIFICATION

△MECHANICAL

Operation Force: 1st 100 ±50gf
2nd 260 +70gf / -50gf

Stroke: 1st 0.50 +0.10 / -0.20 mm
2nd 0.70 +0.10 / -0.30 mm

Operation Temperature: -25°C to +70°C

Storage Temperature: -30°C to +80°C

△ELECTRICAL

Electrical Life: 30,000 cycles

Rating: 50mA , 12VDC

Contact Resistance: 100mΩ max.

Insulation Resistance: 100MΩ min. at 100VDC

Dielectric Strength: 250VAC/1 minute

Contact Arrangement: 1 pole 2 throw

MATERIAL

△COVER: Nickel silver

△BASE: UL 94V-0 Nylon high-temp Thermoplastic
Color: Black

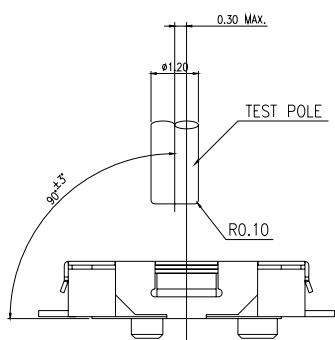
△DUSTCOVER: PTFE
Color: White

△CONTACT DISC: Stainless with silver cladding

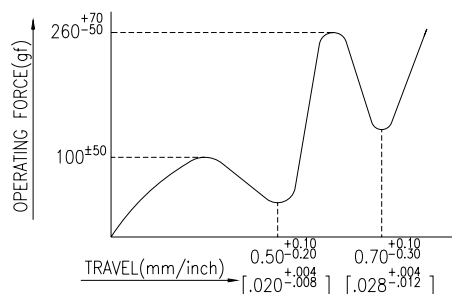
△TERMINAL: Copper alloy with silver plated

△SETM: UL 94V-0 Nylon high-temp Thermoplastic
Color: Black

RECOMMENDED OPERATING CONDITIONS



OPERATING FORCE - TRAVEL CHART

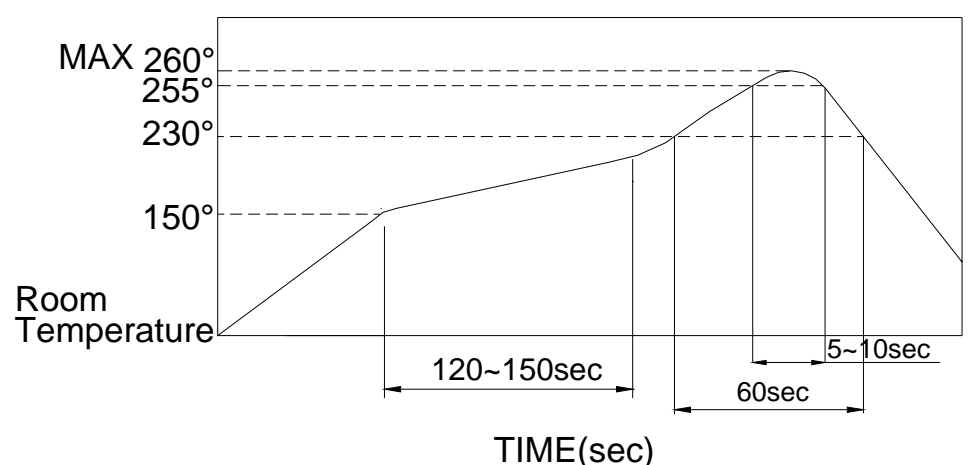


SOLDERING PROCESS

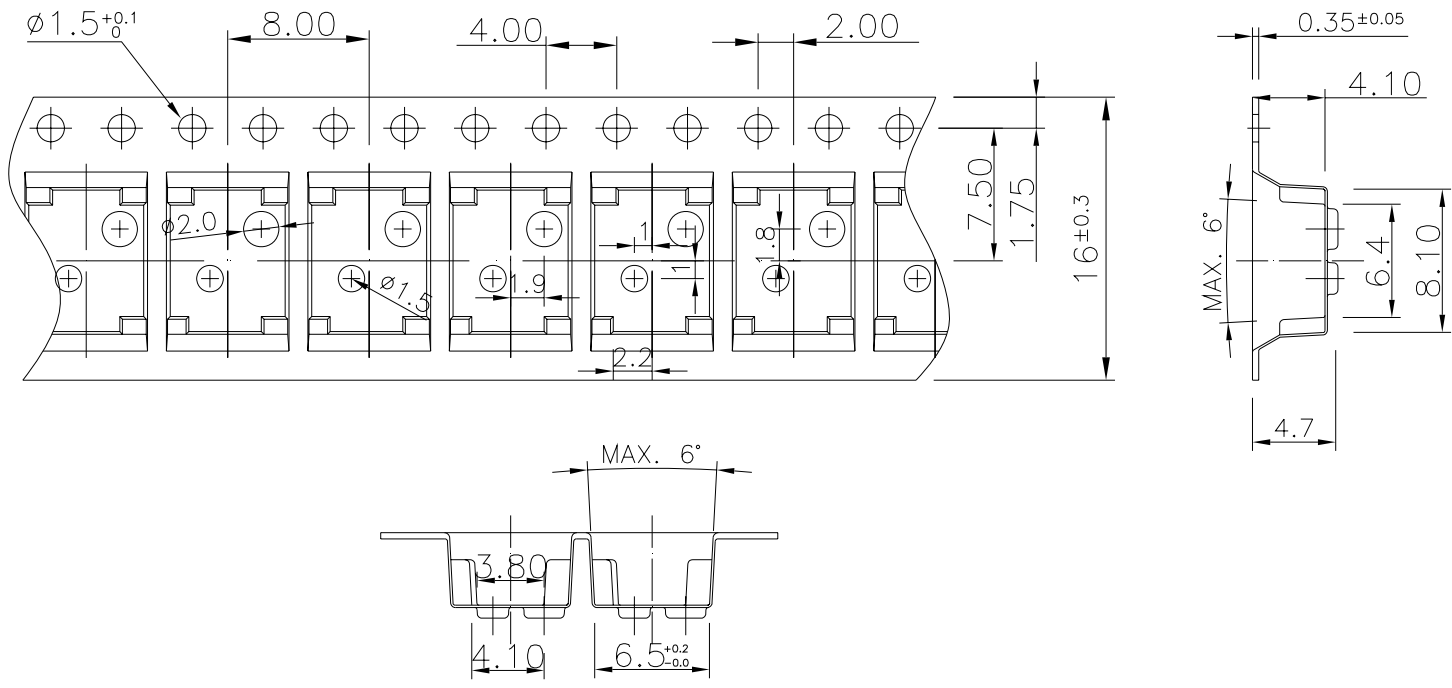
△HAND SOLDERING: Use a soldering iron of 30 watts, controlled at 350°C approximately max 5 seconds.

△Reflow Temperature Profile:

△REFLOW SOLDERING: When applying reflow soldering, the peak temperature or the reflow oven should be set at 260°C max.



2A-2F(L) REEL



GENERAL TOLERANCES MAX:±0.1mm.