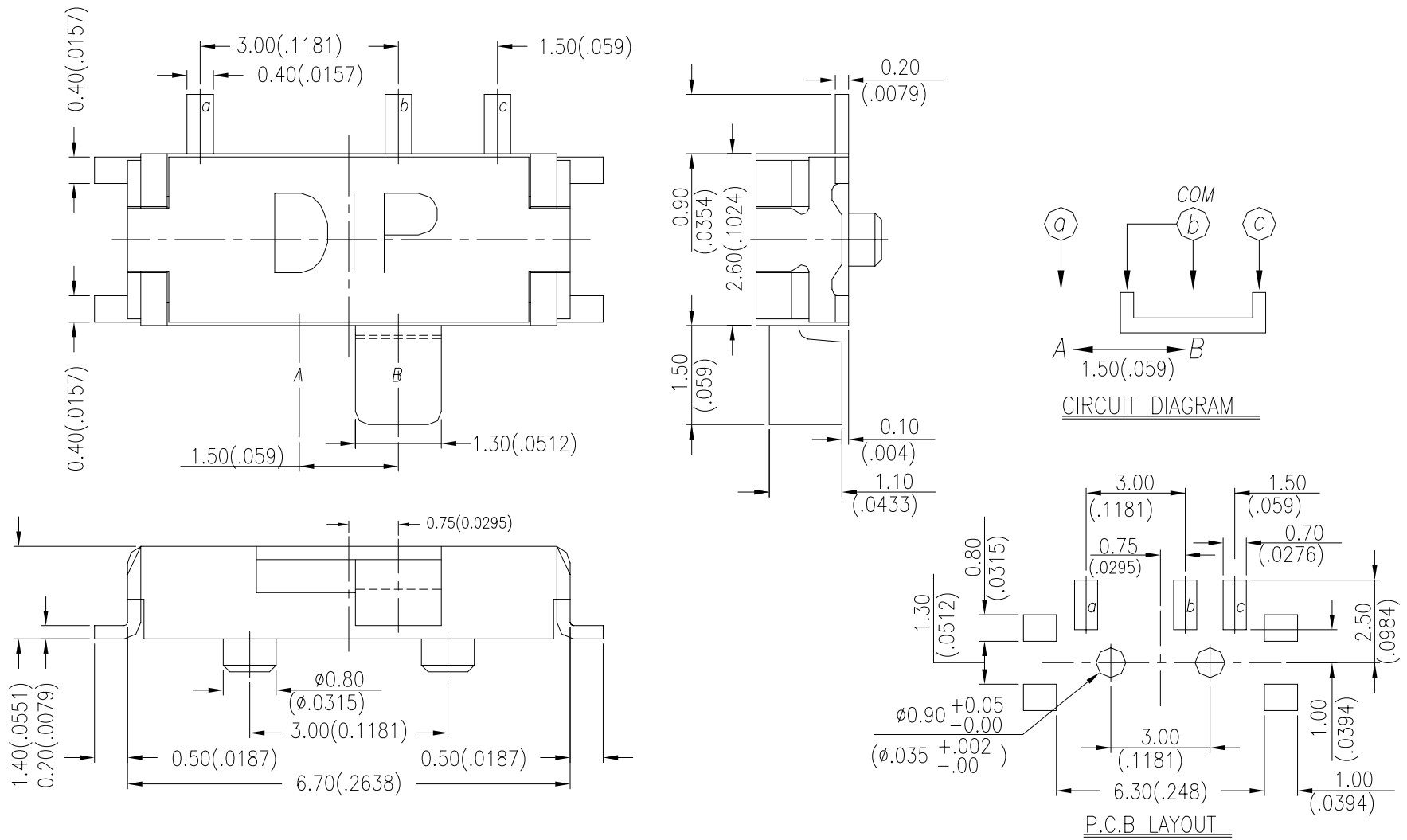


MSS SERIES



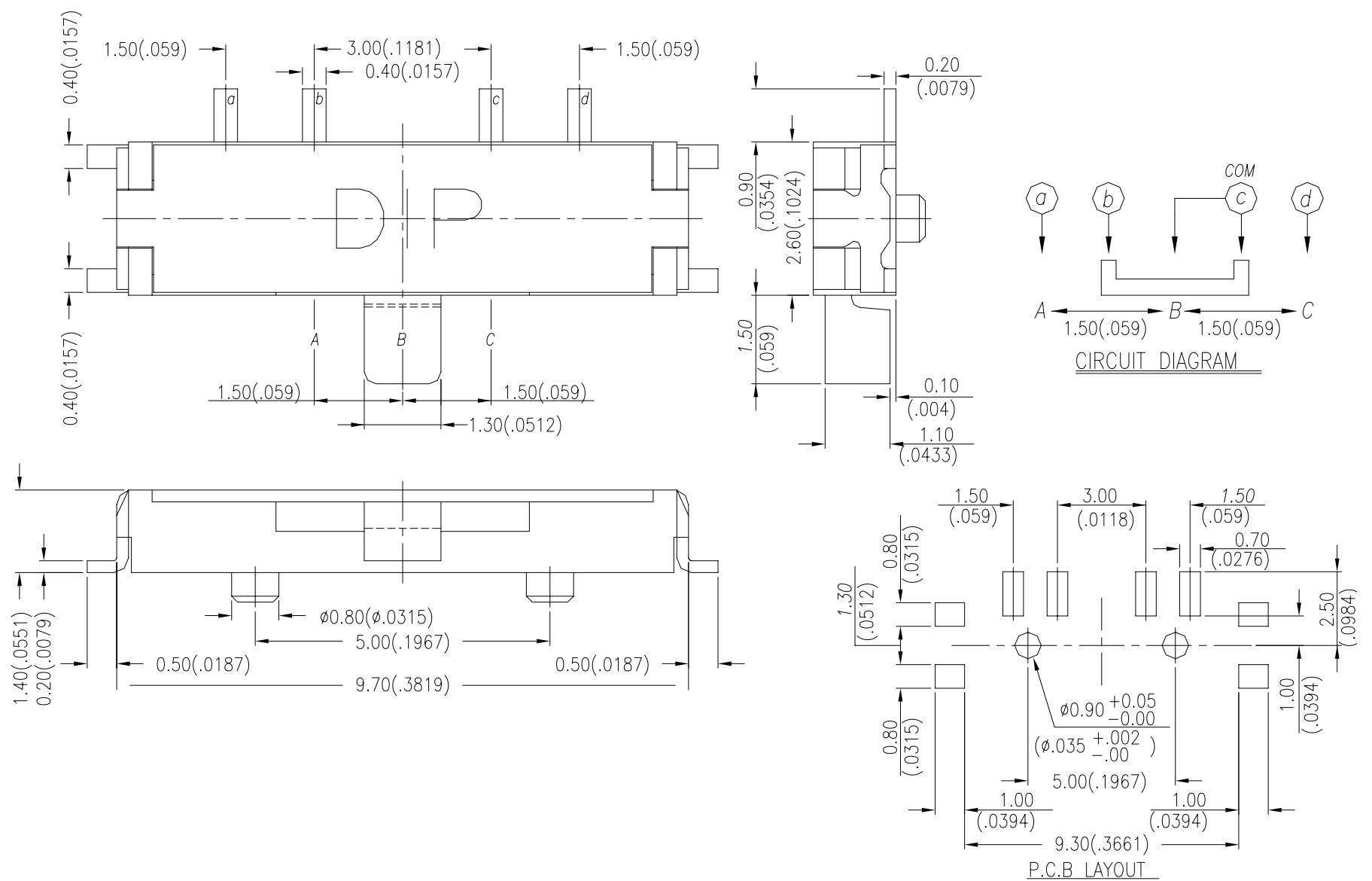
DIMENSIONS

MSS3



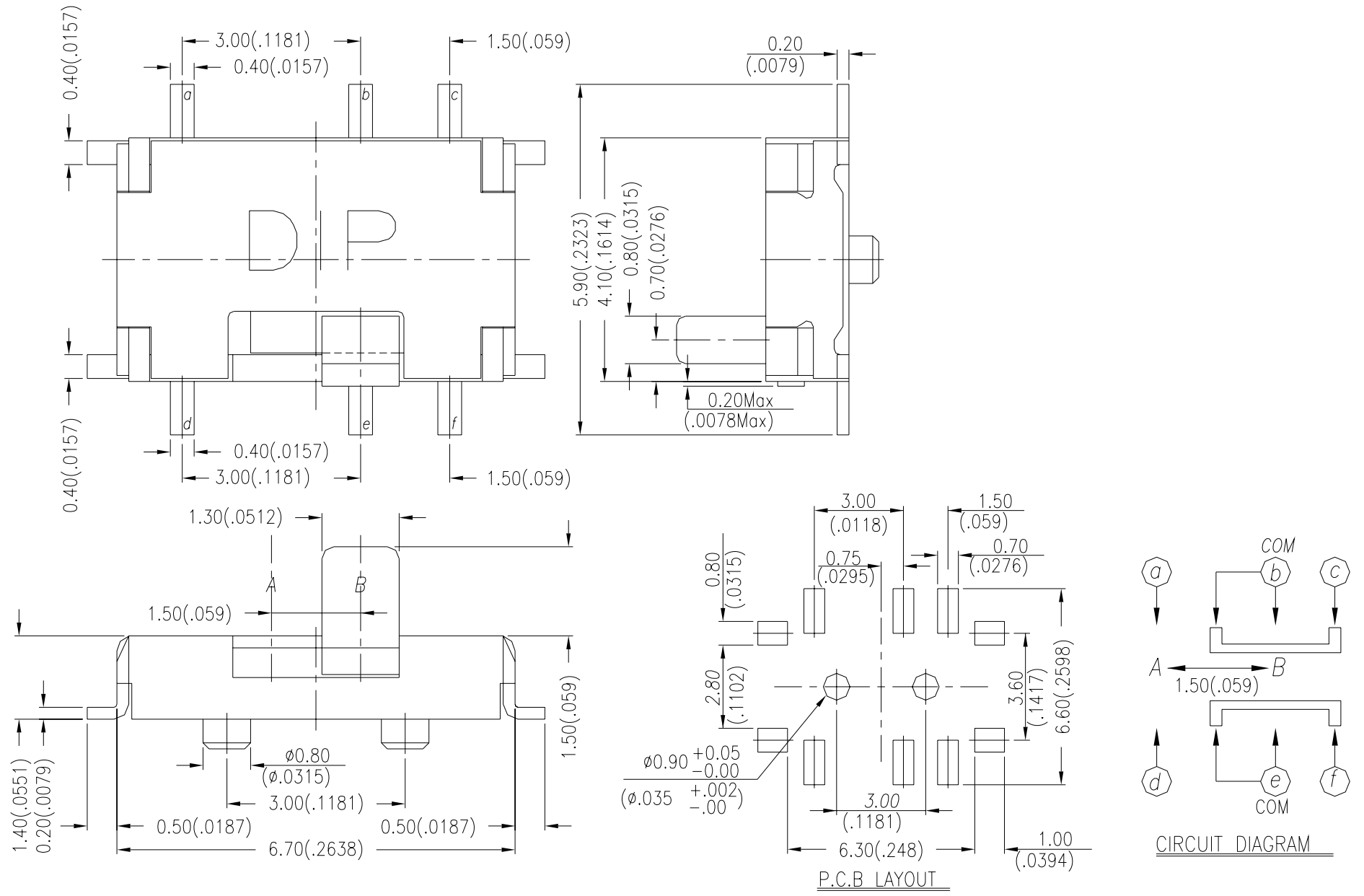
General Tolerance : $\pm 0.2\text{mm}$

MSS4



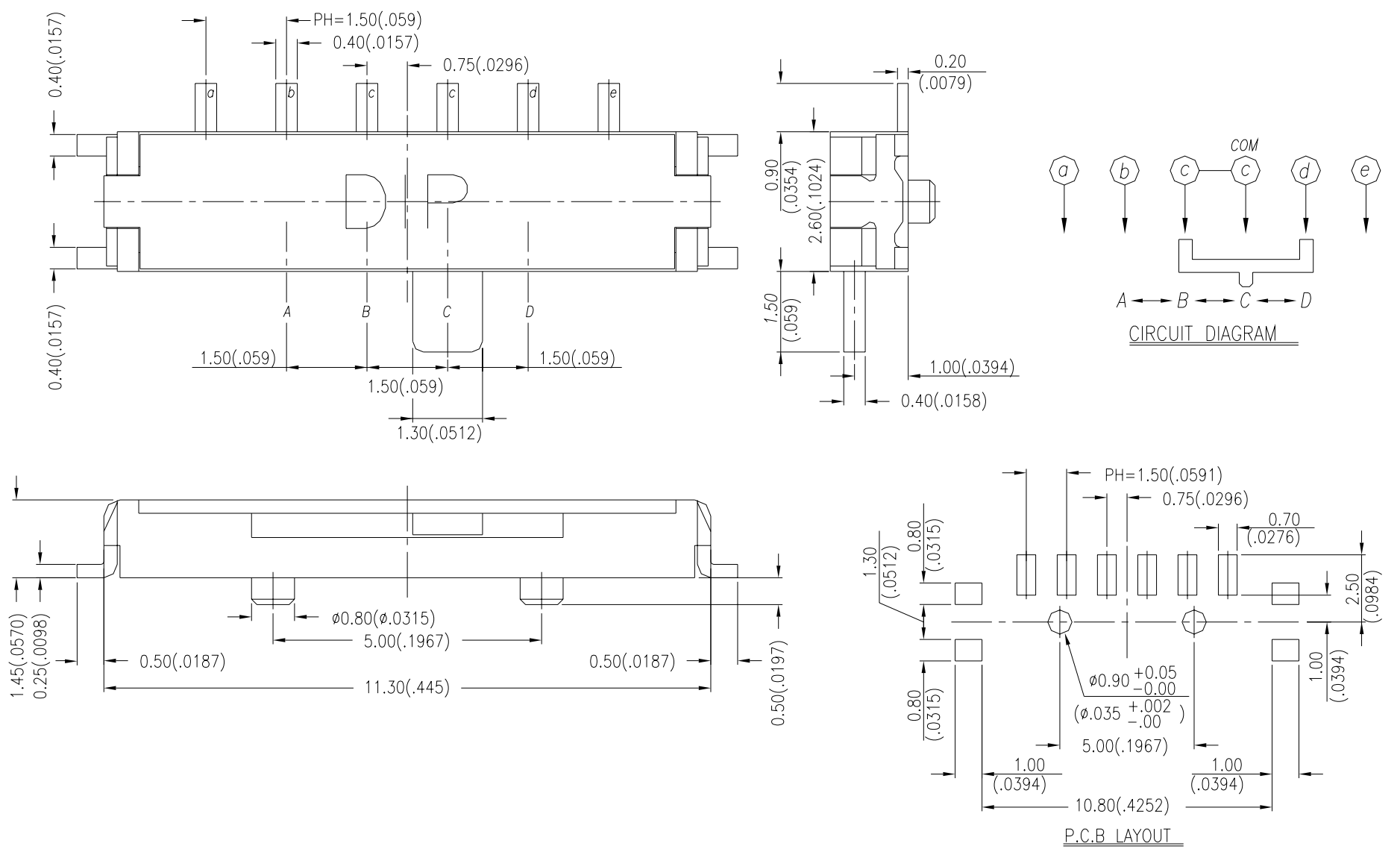
General Tolerance : $\pm 0.2\text{mm}$

MSS6



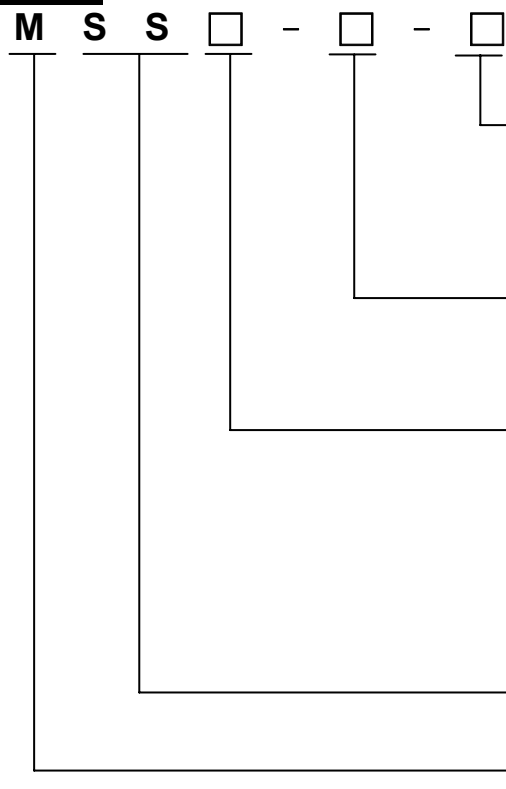
General Tolerance : $\pm 0.2\text{mm}$

MSS14



General Tolerance : $\pm 0.2\text{mm}$

HOW TO ORDER



Package Style:
T/R = Tape & Reel

Soldering:
V=Lead Free solderable

Poles- Positions:
3 = 1P2T
4 = 1P3T
6 = 2P2T
14 = 1P4T

Slide Switch

Miniature Type

SPECIFICATION

△MECHANICAL

Prod	Operation Force:
MSS3	150±100gf (1.47N±0.98N)
MSS4	A→B 150±100gf (1.47N±0.98N)
	B→C 200±150gf (1.96N±1.47N)
	C→B 150±100gf (1.47N±0.98N)
	B→A 200±150gf (1.96N±1.47N)
MSS6	200±150gf (1.96N±1.47N)
MSS14	B→C 200±150gf (1.96N±1.47N)
	C→D 200±150gf (1.96N±1.47N)
	C→B 200±150gf (1.96N±1.47N)
	B→A 200±150gf (1.96N±1.47N)
	A→B 150±100gf (1.47N±0.98N)
	D→C 150±100gf (1.47N±0.98N)

Stroke: 1.5mm

Operation Temperature: -20°C to +70°C

Storage Temperature: -40°C to +85°C

△ELECTRICAL

Electrical Life: 10,000 cycles

Non-switching Rating: 300mA , 4VCD

Switching Rating: 25mA,24VDC

Contact Resistance: 100mΩ max.

Insulation Resistance: 100MΩ min. (500VDC)

Dielectric Strength: 500VAC/ 1minute

Capacitance : 5pF max.

Circuit: SPDT, SP3T, DPDT,SP4T

MATERIAL

△COVER: Nickel silver

△BASE: LCP High-Temp thermoplastic
Color: Black

△CONTACT: Alloy copper, gold plated

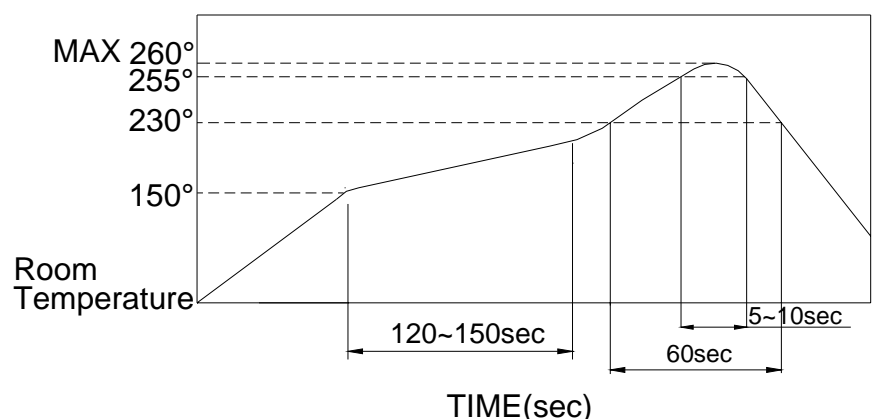
△TERMINAL: Brass , gold plated

△SPRING PLATE: Stainless steel

SOLDERING PROCESS

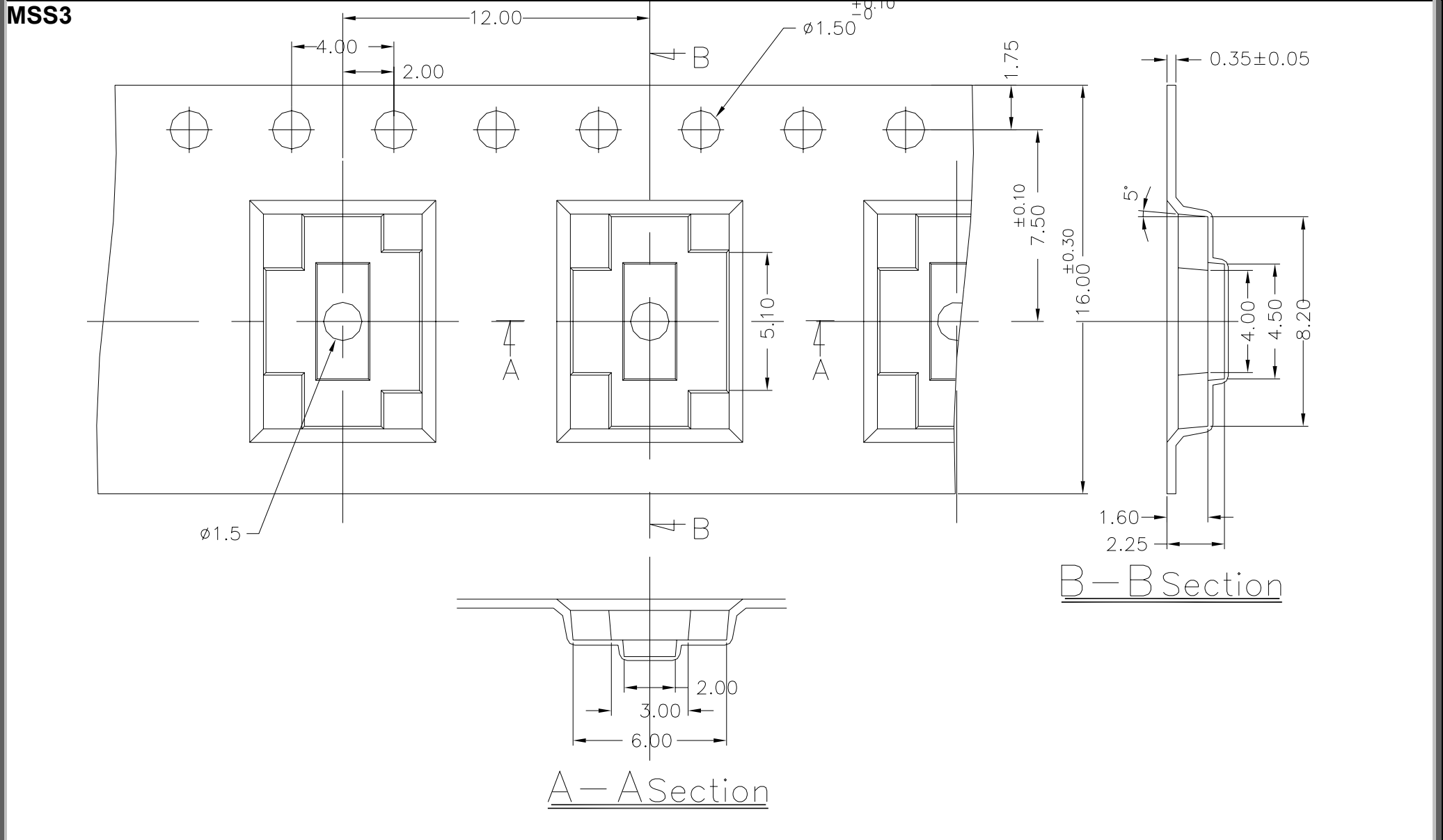
△HAND SOLDERING: Use a soldering iron of 30 watts, controlled at 350°C approximately 5 seconds.

△REFLOW SOLDERING: When applying reflow soldering, the peak temperature or the reflow oven should be set at 260°C max.

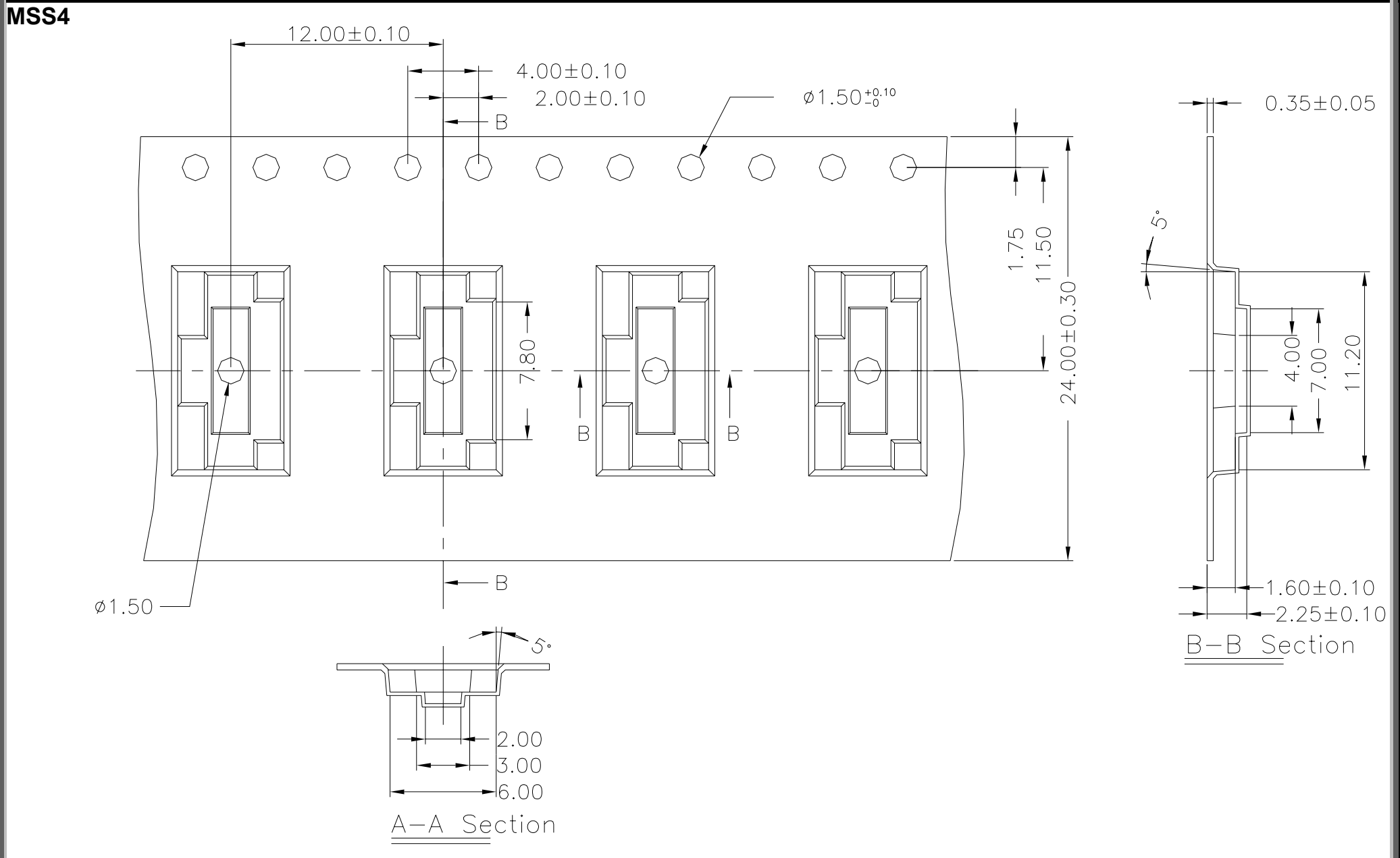


PACKING

Part Number	Number Per Tube	Number Per Reel
MSS3		2500
MSS4		2500
MSS6		1400
MSS14		2500

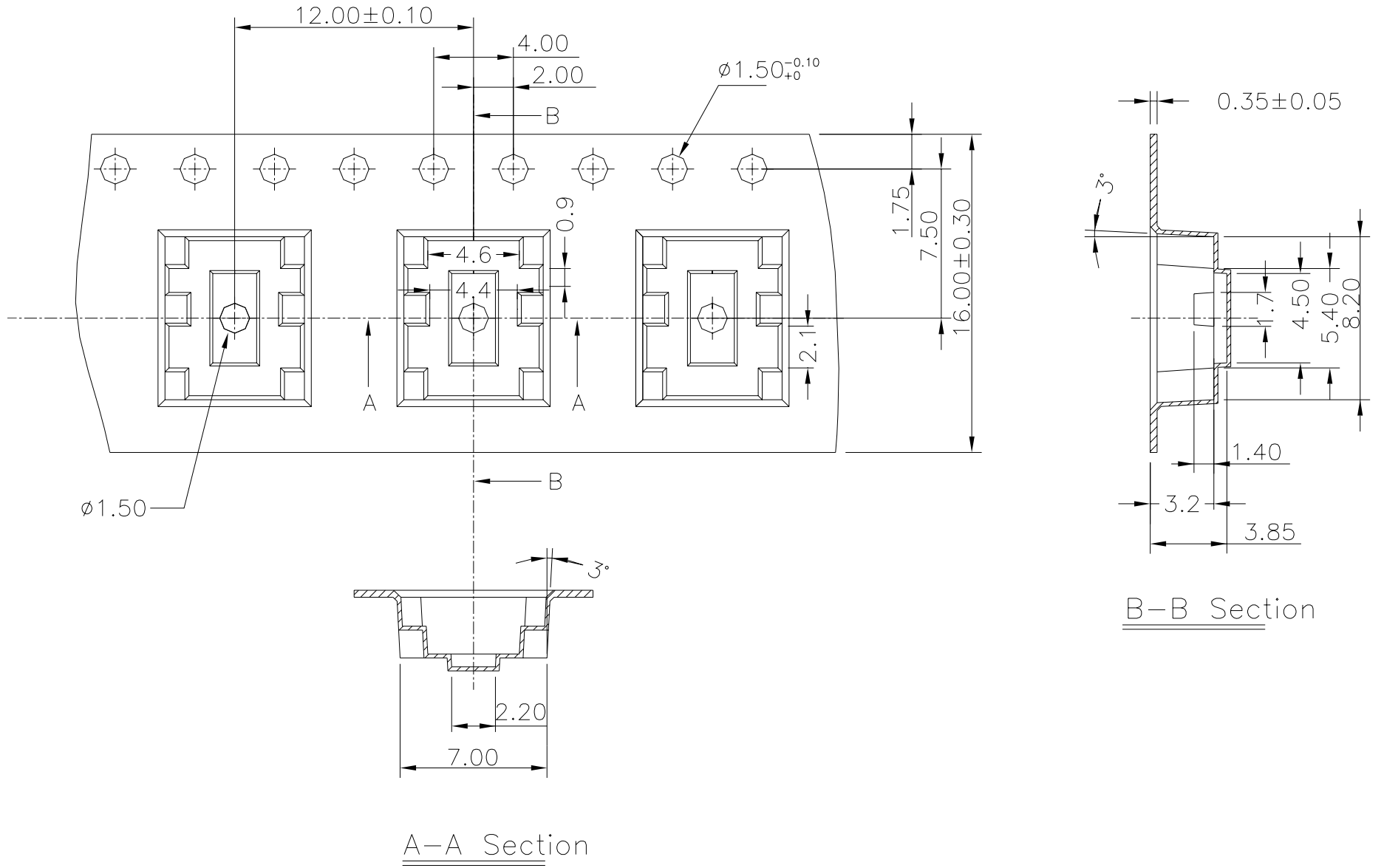


General Tolerance : $\pm 0.1\text{mm}$



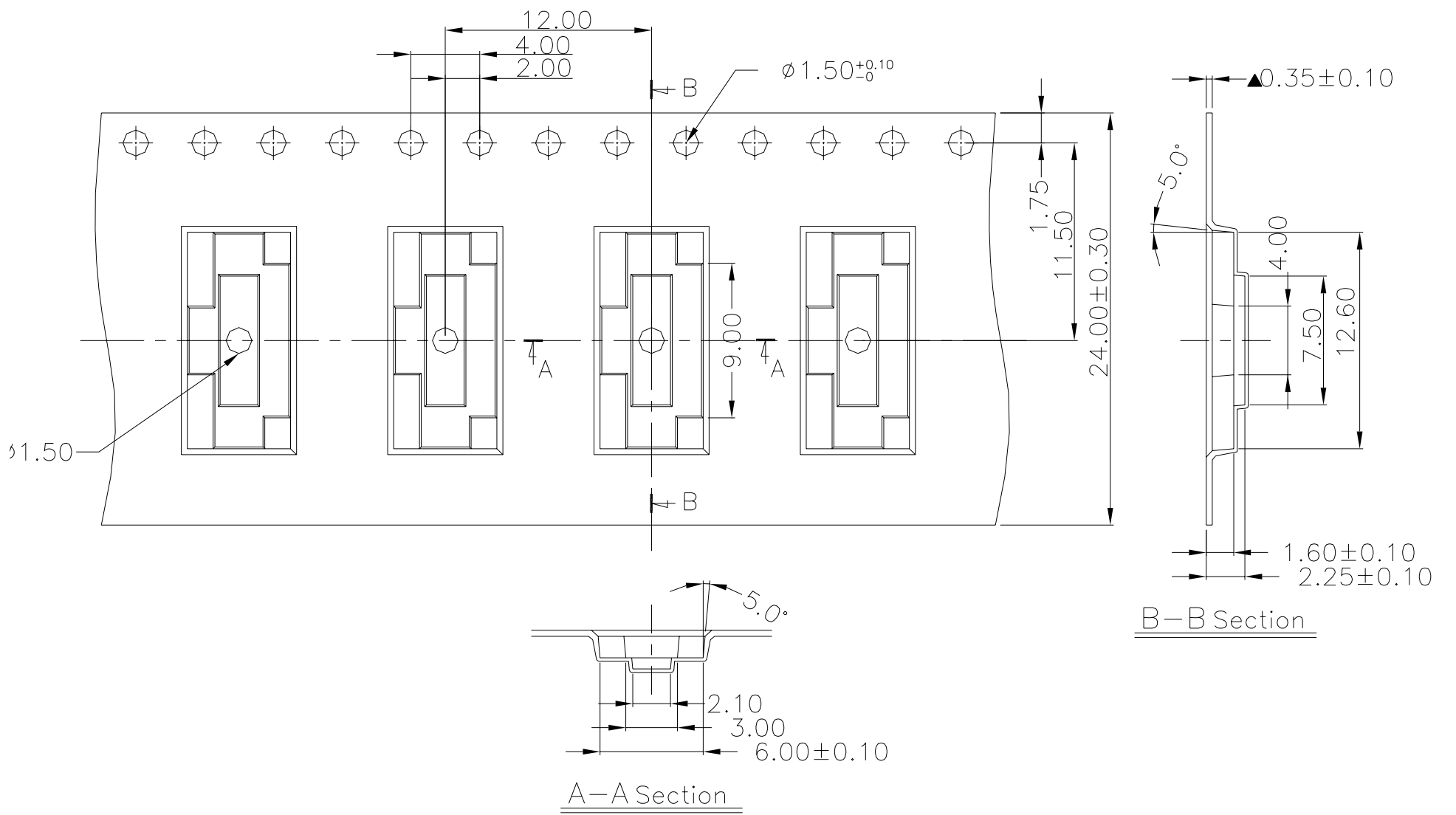
General Tolerance : $\pm 0.1\text{mm}$

MSS6



General Tolerance $\pm 0.1\text{mm}$.

MSS14



General Tolerance $\pm 0.1\text{mm}$.