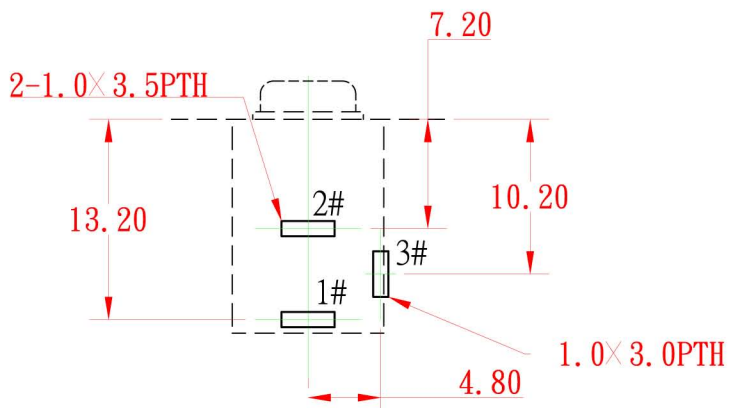
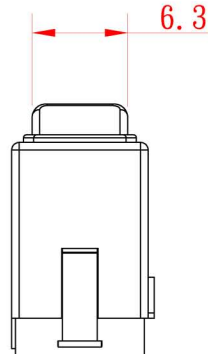
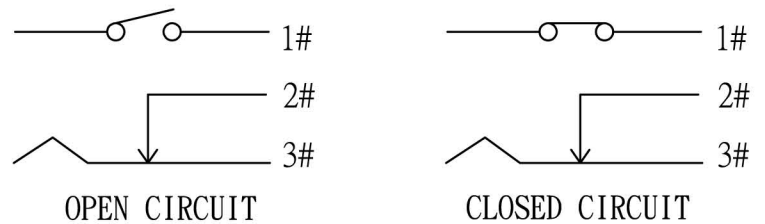


**SPECIFICATION**

- 1、Electrical rating : DC 15V 2.5A
- 2、Contact resistance : < 20mΩ(initial)
- 3、Insulation resistance : > 1000MΩ(500VDC between open contacts)
- 4、Dielectric strength : >1500V 1 minute
- 5、Electrical life : 6000 cycles
- 6、Temperature rise at the terminal : Max.30°C
- 7、Solder ability of terminal : Max350°C,3S(no pressure may be placed in the terminals when soldering by hand)
- 8、Any Cd Pb Hg etc and it's compounds is not include in this product
- 9、Ambient temperature : 10T85/55
- 10、Ambient humidity : Max.85%



**P. C. B LAYOUT  
BOTTOM VIEW**



**SCHEMATIC**



**TACLEX ELECTRONICS CO.,LTD.**

符號	原尺寸	修改後尺寸	變更日期
1 (A)		增加CAP印刷	SEP-16-2009
2 (B)		CAP印刷方向更換	SEP-17-2009
3 (C)		標註印刷尺寸	SEP-18-2009
4 (D)			
5 (E)			

**SCALE(比例): 2:1**  
**TOLERANCE (公差):**  
 0.00 mm ± 0.25mm  
 0.0 mm ± 0.40mm  
**ANGULAR: ± 5°**  
**FILE NAME : TEST-0117**

TITLE 圖名	DC POWER JACK WHIT SWITCHES			SIZE 圖紙	A4
DWG NO. 圖號	RJ-001			UNIT 單位	inch mm
REV. 版本	R06	DATE 日期	Sep-04-2009	SHEET 張數	1 of 1
CHECKED BY 審核	RICHARD		DRAWN BY 製圖	Jason	