



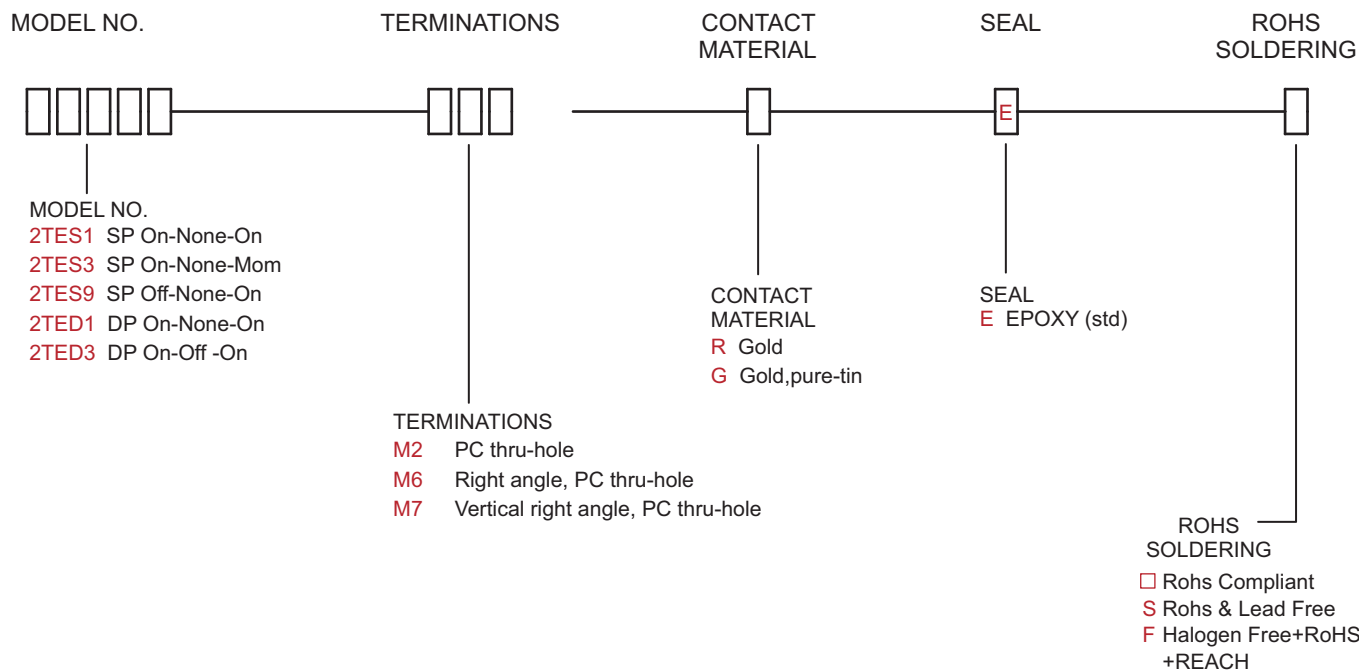
**SPECIFICATIONS**

- CONTACT RATING:** Max 0.4 VA max @ 48 VAC or DC Min.  
1  $\mu$ A / 20 mV AC or DC
- MECHANICAL LIFE:** 60,000 make-and-break cycles at full load.
- CONTACT RESISTANCE:** 50m $\Omega$  max. initial @ 2-4VDC 100mA .
- INSULATION RESISTANCE:** 1,000M $\Omega$  min.
- DIELECTRIC STRENGTH:** 500 V RMS@sea level.
- OPERATING TEMPERATURE:** -30°C to 85°C.
- DEGREE OF PROTECTION:** IP67

**MATERIALS**

- ACTUATOR:** Brass,chrome plated,internal O-ring seal. Standard for all actuators.
- BUSHING & HOUSING:** SPCC
- CASE:** Glass filled nylon 6/6 (UL94v-0)
- SWITCH SUPPORT:** Brass,tin plated.
- CONTACT / TERMINALS:** Phosphor bronze gold - plated over nickel plated.
- TERMINAL SEAL:** Epoxy

**HOW TO ORDER**



## SWITCH FUNCTION

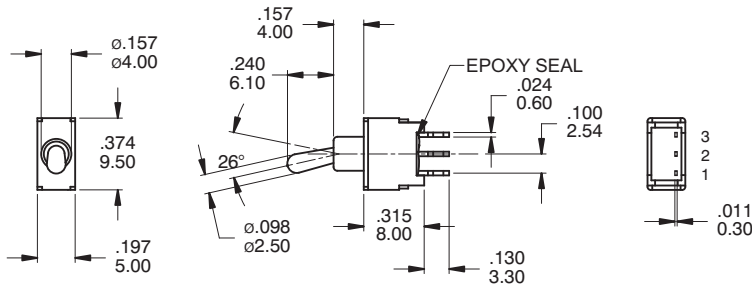
NO. POLES	MODEL NO.	SWITCH FUNCTION			CONNECTED TERMINALS / SCHEMATIC		
		POS.1	POS.2	POS.3	POS.1	POS.2	POS.3
SP	2TES1	ON	NONE	ON	2-3	N/A	2-1
	2TES3	ON	OFF	ON		OPEN	
	2TES9	OFF	NONE	ON	OPEN	N/A	
DP	2TED1	ON	NONE	ON	2-3,5-6	N/A	2-1,5-4
	2TED3	ON	OFF	ON		OPEN	

M2

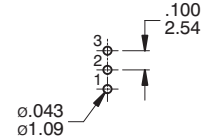


SPDT

Part No. Shown : 2TES1-M2RES



P.C. MOUNTING

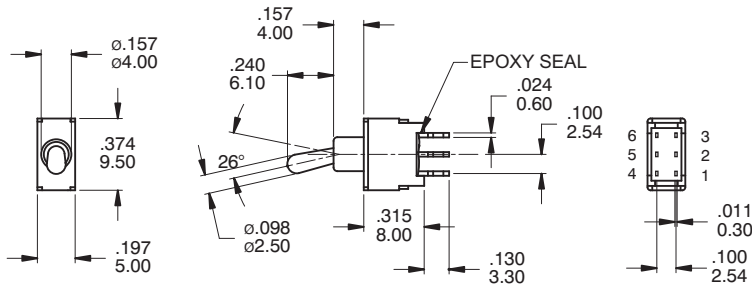


M2

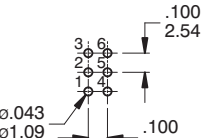


DPDT

Part No. Shown : 2TED1-M2RES



P.C. MOUNTING

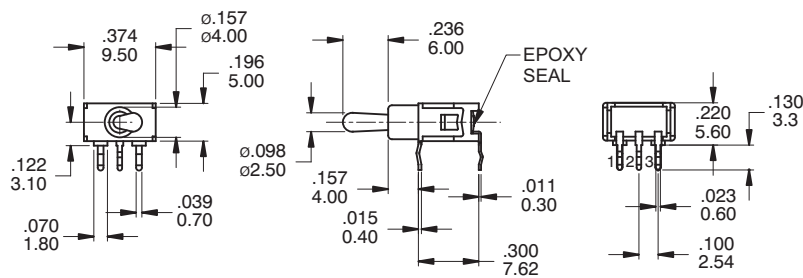


M6

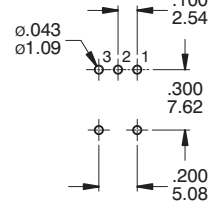


SPDT

Part No. Shown : 2TES1-M6RES



P.C. MOUNTING

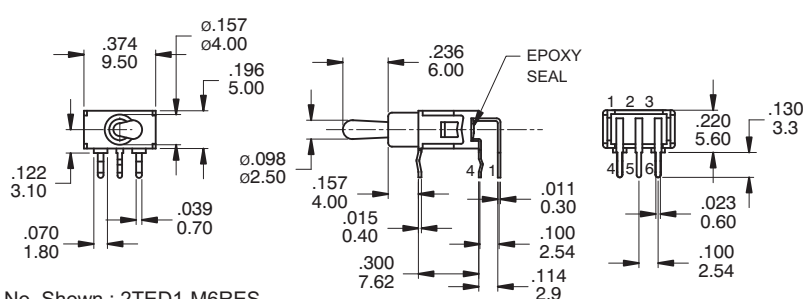


M6

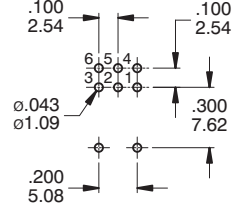


DPDT

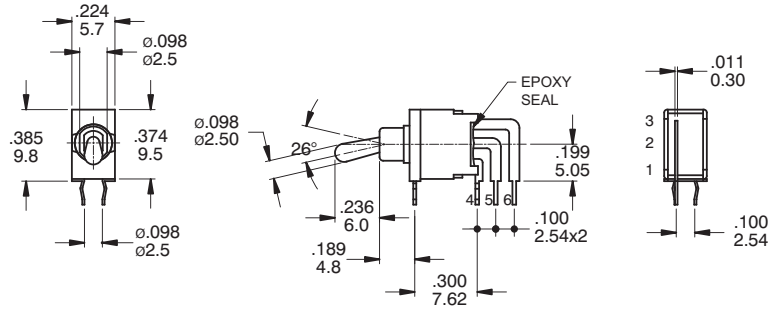
Part No. Shown : 2TED1-M6RES



P.C. MOUNTING

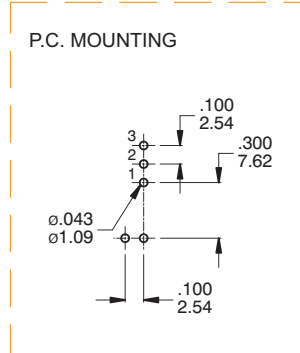


M7

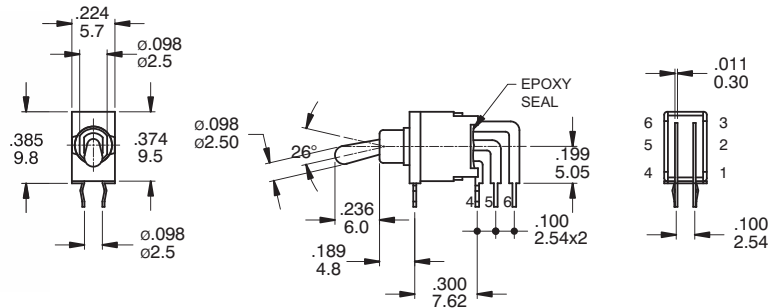


SPDT

Part No. Shown : 2TES1-M7RES

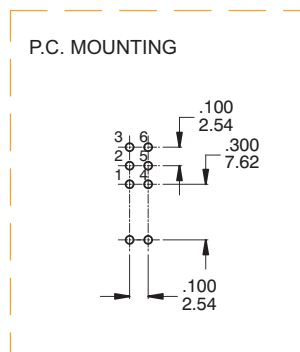


M7



DPDT

Part No. Shown : 2TED1-M7RES



**SOLDERING PROCESSES**

WAVE SOLDERING : Recommended Soldering Temperature :  $260 \pm 5^{\circ}\text{C}$   
 Duration of Solder Immersion :  $5 \pm 1$  seconds  
 (PCB is 1.6mm in thickness)

**SOLDERING** : Vapor phase & IR-reflow soldering can be applied.

**Temperature Profile**

Zone	Room Temperature	Time (Sec)
Pre-heat (A)	150°C	Min 120s
Soak (B)	180°C ~ 200°C	Min 150s
Peak (C)	200°C ~ 235°C	Min 30s
Peak (D)	235°C ~ 260°C	Min 40s
Peak (E)	260°C	Max 10s

